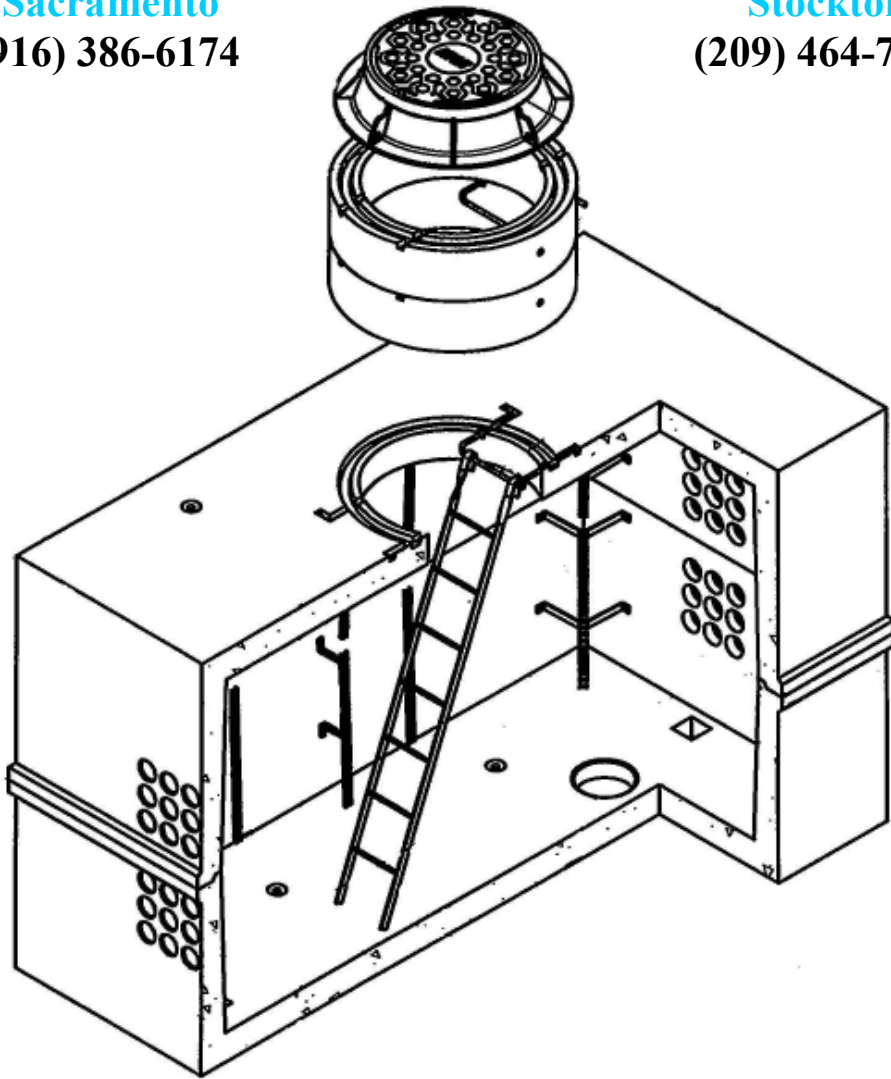


TEICHERT PRECAST PRODUCTS

Sacramento
(916) 386-6174

Stockton
(209) 464-7697



AT&T

**Precast Concrete Underground Enclosures
and Accessories**

Table of Contents

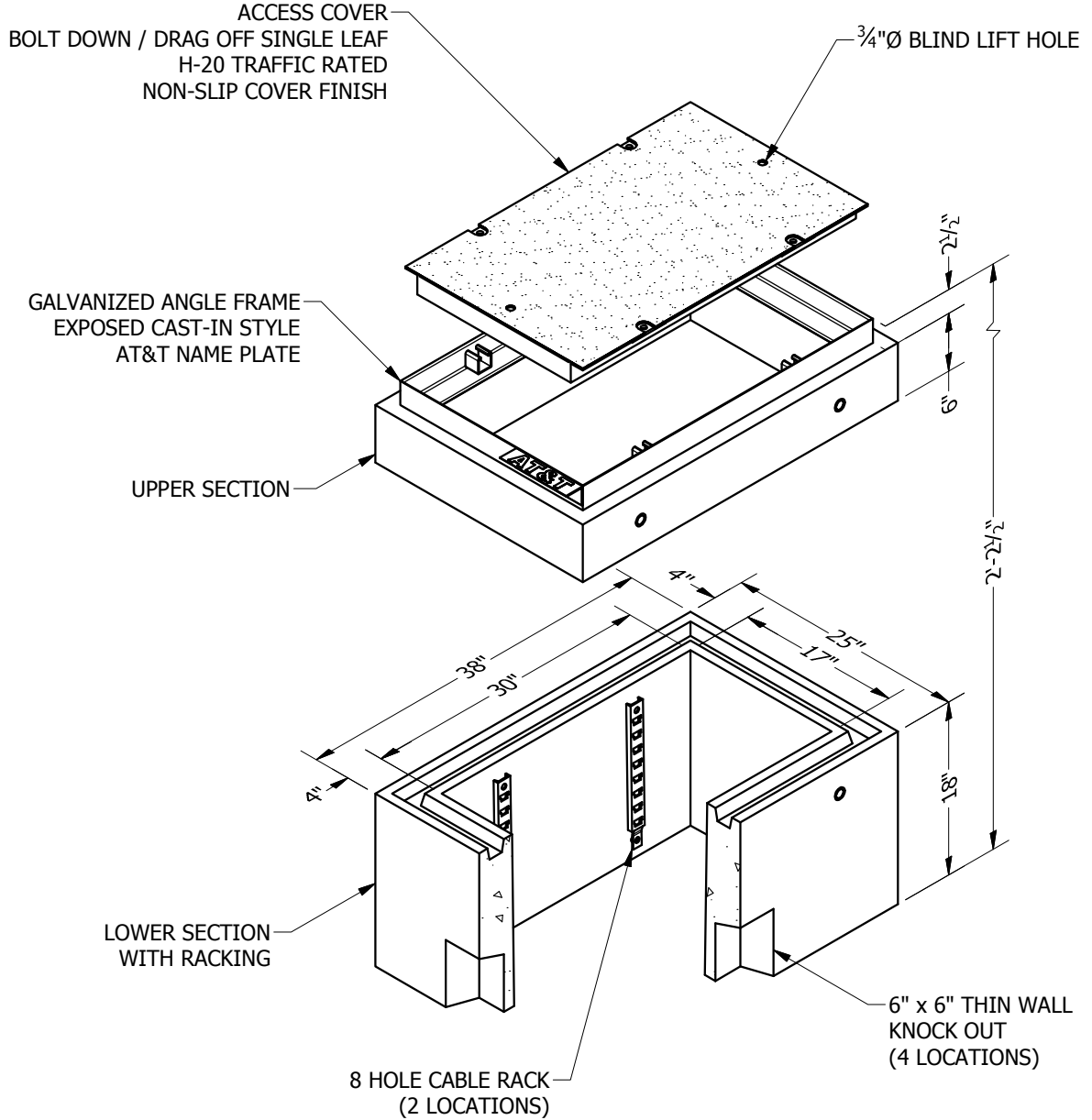
Size (ID)	Description	PID	Page
17" x 30" x 24"	Splice Box w/ Racking & Traffic Rated Bolt Down / Drag Off Non-Slip Cover	301179750	1
2'-0" x 3'-0" x 2'-6"	Splice Box w/ Racking & Traffic Rated Bolt Down / Drag Off Non-Slip Cover	301179768	2
3'-0" x 5'-0" x 4'-0"	Enclosure w/ Racking & Pedestrian Rated Hinged Non-Slip Cover	000600064	3
3'-0" x 5'-0" x 4'-0"	Enclosure w/ Racking & Traffic Rated Hinged Non-Slip Cover	000600072	4
3'-0" x 5'-0" x 4'-0"	Intercept Enclosure w/ Racking & Pedestrian Rated Hinged Non-Slip Cover	000603993	5
3'-0" x 5'-0" x 4'-0"	Intercept Enclosure w/ Racking & Traffic Rated Hinged Non-Slip Cover	000604009	6
3'-0" x 5'-0" x 4'-0"	Enclosure w/ Racking & Pedestrian Rated Bolt Down / Drag Off Non-Slip Cover	000600023	7
3'-0" x 5'-0" x 4'-0"	Enclosure w/ Racking & Traffic Rated Bolt Down / Drag Off Non-Slip Cover	000600031	8
3'-0" x 5'-0" x 4'-0"	Intercept Enclosure w/ Racking & Pedestrian Rated Bolt Down / Drag Off Non-Slip Cover	000600049	9
3'-0" x 5'-0" x 4'-0"	Intercept Enclosure w/ Racking & Traffic Rated Bolt Down / Drag Off Non-Slip Cover	000600056	10
3'-0" x 5'-0" x 6"	Enclosure Extension - 6" Height	000604082	11
3'-0" x 5'-0" x 12"	Enclosure Extension - 12" Height	000604090	12
3'-0" x 5'-0"	Access Cover Pedestrian Rated Hinged Double Leaf Non-Slip Adjustable Skirted Style Frame	000602128	13
3'-0" x 5'-0"	Access Cover Traffic Rated Hinged Double Leaf Non-Slip Adjustable Skirted Style Frame	000602136	14
3'-0" x 5'-0"	Access Cover Pedestrian Rated Bolt Down / Drag Off Non-Slip Adjustable Skirted Style Frame	000600353	15
3'-0" x 5'-0"	Access Cover Traffic Rated Bolt Down / Drag Off Non-Slip Adjustable Skirted Style Frame	000600361	16
4'-0" x 6'-6" x 4'-0"	Enclosure w/ Racking & Pedestrian Rated Hinged Non-Slip Cover	000600296	17
4'-0" x 6'-6" x 4'-0"	Enclosure w/ Racking & Traffic Rated Hinged Non-Slip Cover	000600304	18
4'-0" x 6'-6" x 4'-0"	Intercept Enclosure w/ Racking & Pedestrian Rated Hinged Non-Slip Cover	000600312	19
4'-0" x 6'-6" x 4'-0"	Intercept Enclosure w/ Racking & Traffic Rated Hinged Non-Slip Cover	000600320	20
4'-0" x 6'-6" x 6"	Enclosure Extension - 6" Height	000604033	21
4'-0" x 6'-6" x 12"	Enclosure Extension - 12" Height	000604041	22
4'-0" x 6'-6" x 18"	Enclosure Extension - 18" Height	000604058	23
4'-0" x 6'-6"	Access Cover Pedestrian Rated Hinged Double Leaf Non-Slip Adjustable Skirted Style Frame	000602201	24
4'-0" x 6'-6"	Access Cover Traffic Rated Hinged Double Leaf Non-Slip Adjustable Skirted Style Frame	000602185	25
4'-0" x 4'-0" x 4'-0"	Fiber Optic Traffic Rated Manhole w/ Racking	301179776	26
4'-6" x 8'-6" x 6'-6"	Manhole Traffic Rated w/ Racking & Ladder	000600098	27
6'-0" x 12'-0" x 7'-0"	Manhole Traffic Rated w/ Racking & Ladder	000600114	28
6'-0" x 12'-0" x 36"	Manhole Extension 36" height w/ Racking	000600122	29
6'-0" x 15'-0" x 9'-0"	Manhole Traffic Rated w/ Racking & Ladder	000600148	30

Table of Contents

Size (ID)	Description	PID	Page
6'-0" x 15'-0" x 36"	Manhole Extension 36" height w/ Racking	000600163	31
6'-0" x 9'-0" x 19'-0"	Modular 19'-0" Long Traffic Rated Tunnel Manhole w/ Racking & Ladder	000600189	32
6'-0" x 9'-0" x 5'-0"	Modular Manhole 5'-0" long Center Section w/ Racking - No Access Opening	000604140	33
6'-0" x 9'-0" x 5'-0"	Modular Manhole 5'-0" long Center Section w/ Racking - With Access Opening	000604132	34
6'-0" x 9'-0" x 2'-0"	Modular Manhole 2'-0" long Female End Cap w/ Racking	000604116	35
6'-0" x 9'-0" x 2'-0"	Modular Manhole 2'-0" long Male End Cap w/ Racking	000604124	36
6'-0" x 9'-0" x 19'-0"	Intercept Modular 19'-0" Long Traffic Rated Tunnel Manhole w/ Racking & Ladder	000600205	37
6'-0" x 9'-0" x 5'-0"	Intercept Modular 5'-0" long Center Section w/ Racking & Ladder - No Access Opening	000604181	38
6'-0" x 9'-0" x 5'-0"	Intercept Modular Manhole 5'-0" long Center Section w/ Racking- With Access Opening	000604173	39
6'-0" x 9'-0" x 2'-0"	Intercept Modular Manhole 2'-0" long Female End Cap w/ Racking	000604157	40
6'-0" x 9'-0" x 2'-0"	Intercept Modular Manhole 2'-0" long Male End Cap w/ Racking	000604165	41
36" x 3"	Manhole Grade Ring w/ Step	000604066	42
36" x 6"	Manhole Grade Ring w/ Step	000602409	43
36" x 12"	Manhole Grade Ring w/ Step	000602219	44

MATERIAL LIST

PART NUM	DESCRIPTION	WEIGHT (LBS)
1730-L18-AT	17"x30"x18" LOWER SECTION - AT&T	642
1730-T06-AT	17"x30"x6" UPPER SECTION - AT&T	279
1730-GDC-HTNS	BOLT DOWN / DRAG OFF NON-SLIP STEEL COVER - TRAFFIC	83



CUSTOMER SERVICE
 Order and delivery assistance
 (916) 386-6174
 pcservice@teichert.com

ENGINEERING/TECHNICAL SERVICE
 Technical assistance and on site support
 (916) 386-6177
 pceengineering@teichert.com



TEICHERT PRECAST PRODUCTS
 SACRAMENTO · STOCKTON
 WWW.TEICHERTPRECASTPRODUCTS.COM

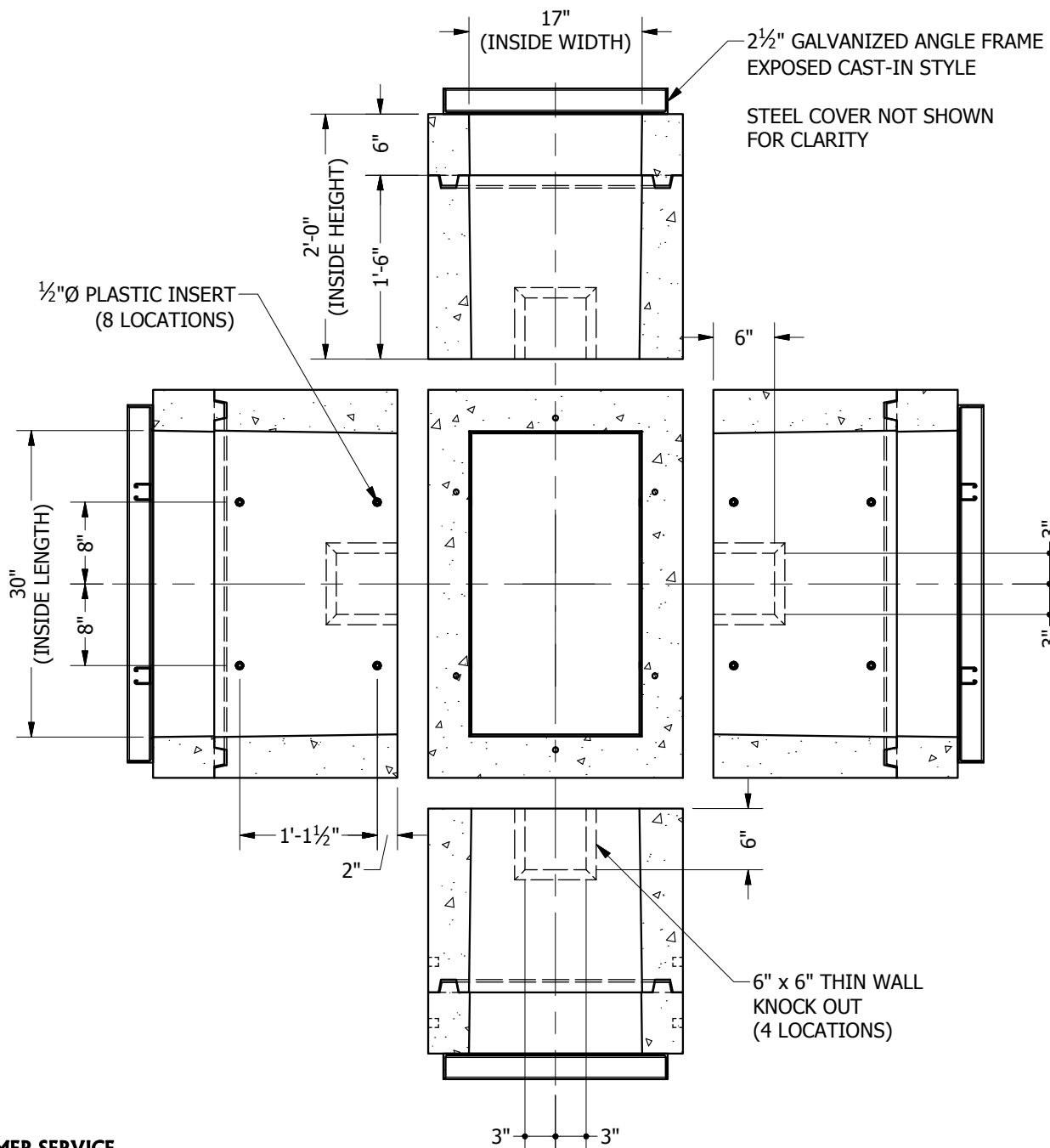
8180 SIGNAL COURT SACRAMENTO, CA 95824 2441 W. CHARTER WAY STOCKTON, CA 95206
 PHONE: (916) 386-6174 FAX: (916) 386-8823 PHONE: (209) 464-7696 FAX: (209) 464-6822

17" x 30" x 24"
 AT&T SPLICE BOX
 TRAFFIC RATED DRAG OFF
 NON-SLIP COVER

ISSUE DATE: 1/5/2009

AGENCY SERIES:

PART #: ASY-1730-24-TR-AT



CUSTOMER SERVICE

Order and delivery assistance
 (916) 386-6174
 pcservice@teichert.com

ENGINEERING/TECHNICAL SERVICE

Technical assistance and on site support
 (916) 386-6177
 pcengineering@teichert.com

**INSIDE FOLD OUT
 DETAILED VIEW**



TEICHERT PRECAST PRODUCTS

SACRAMENTO · STOCKTON
 WWW.TEICHERTPRECASTPRODUCTS.COM

8180 SIGNAL COURT SACRAMENTO, CA 95824 2441 W. CHARTER WAY STOCKTON, CA 95206
 PHONE: (916) 386-6174 FAX: (916) 386-8823 PHONE: (209) 464-7696 FAX: (209) 464-6822

17" x 30" x 24"
 AT&T SPLICE BOX
 TRAFFIC RATED DRAG OFF
 NON-SLIP COVER

ISSUE DATE:

1/5/2009

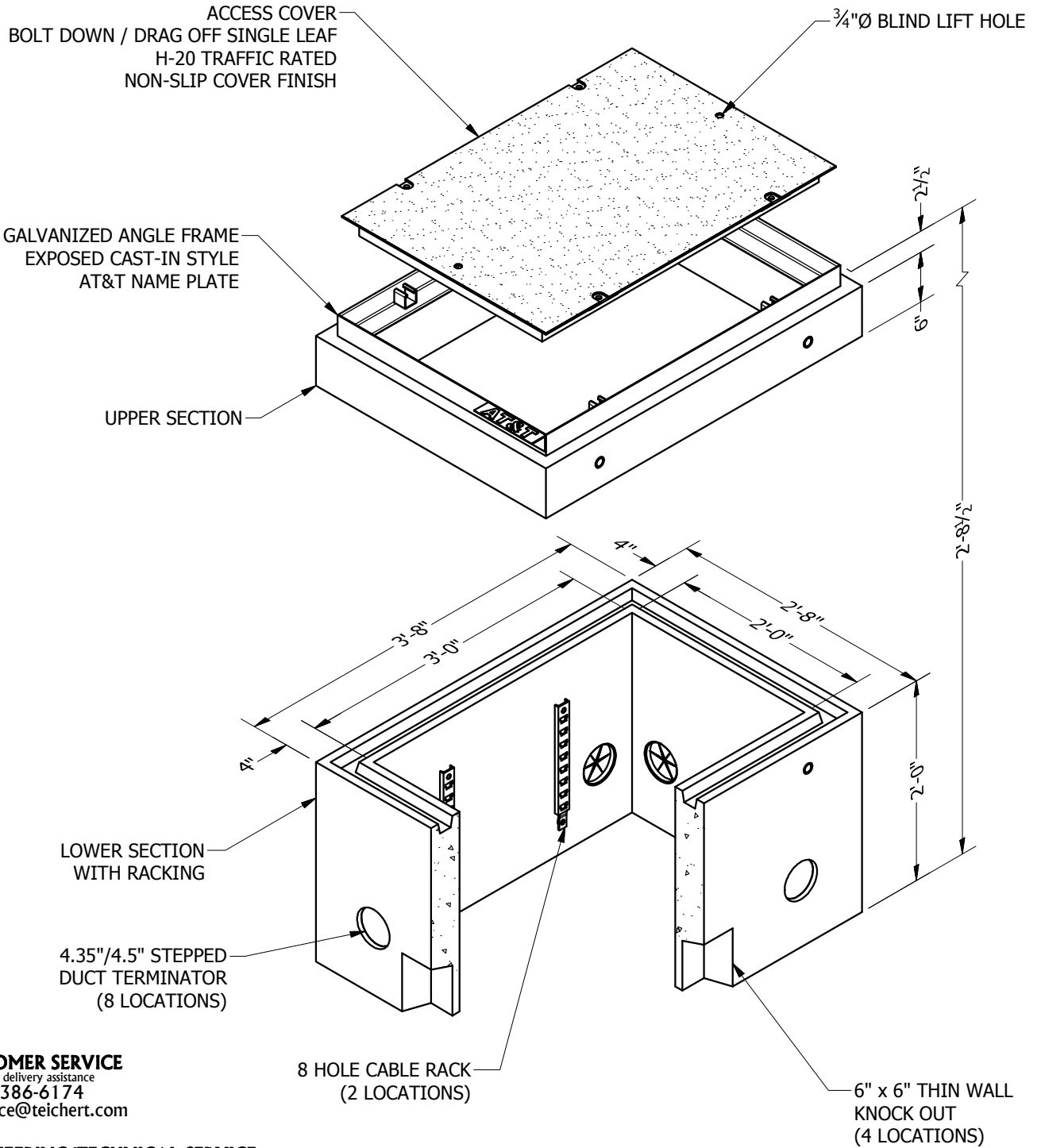
AGENCY SERIES:

PART #:

ASY-1730-24-TR-AT

MATERIAL LIST

PART NUM	DESCRIPTION	WEIGHT (LBS)
0100-L24-AT	2'-0" x 3'-0" x 24" LOWER SECTION - AT&T	1021
0100-T06-AT	2'-0" x 3'-0" x 6" UPPER SECTION - AT&T	343
0100-GDC-HTNS	BOLT DOWN / DRAG OFF NON-SLIP STEEL COVER - TRAFFIC	160



CUSTOMER SERVICE
 Order and delivery assistance
 (916) 386-6174
 pcservice@teichert.com

ENGINEERING/TECHNICAL SERVICE
 Technical assistance and on site support
 (916) 386-6177
 pceengineering@teichert.com



TEICHERT PRECAST PRODUCTS
 SACRAMENTO · STOCKTON
 WWW.TEICHERTPRECASTPRODUCTS.COM

8180 SIGNAL COURT SACRAMENTO, CA 95824 2441 W. CHARTER WAY STOCKTON, CA 95206
 PHONE: (916) 386-6174 FAX: (916) 386-8823 PHONE: (209) 464-7696 FAX: (209) 464-6822

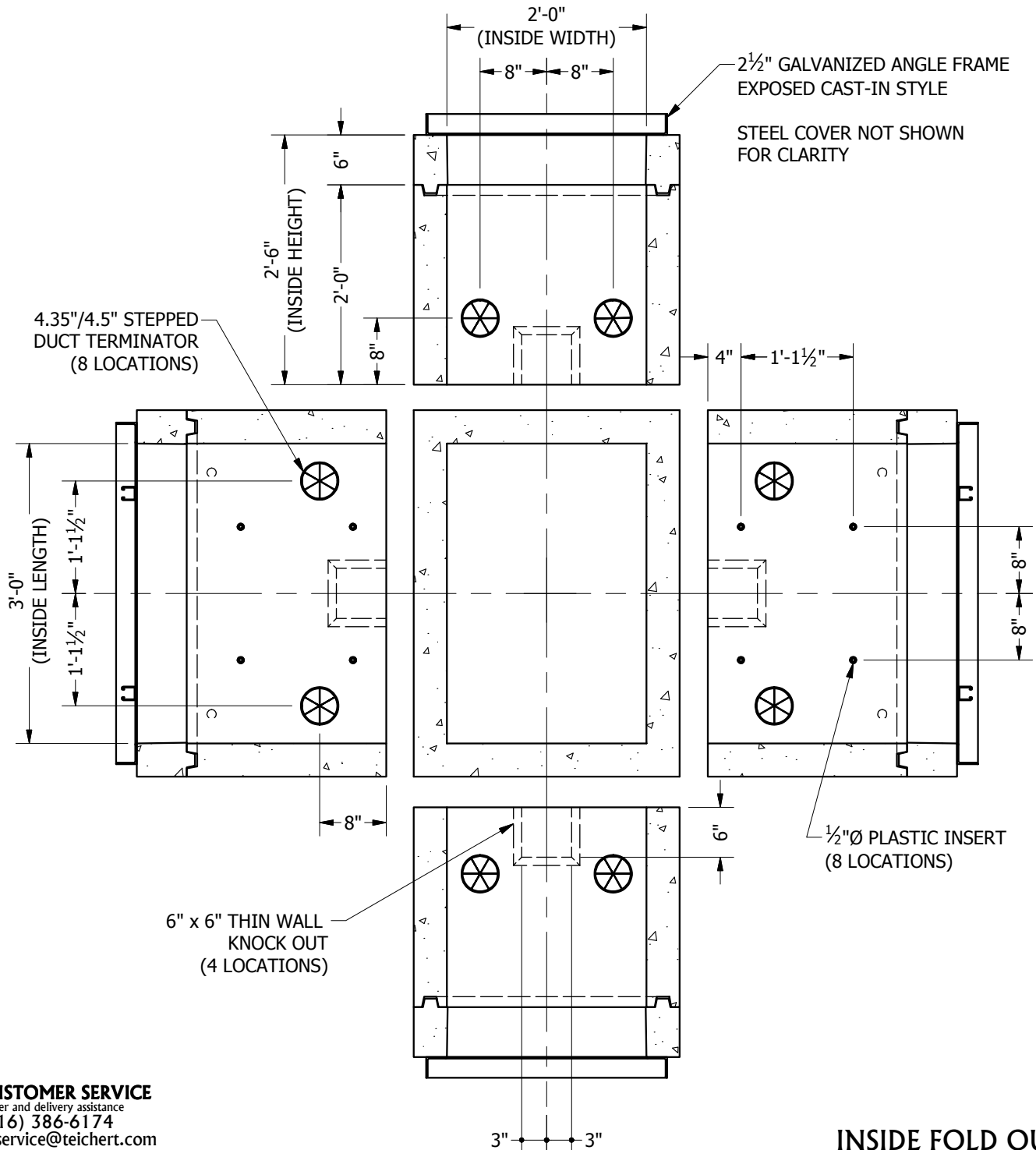
2'-0" x 3'-0" x 2'-6"
 AT&T SPLICE BOX
 TRAFFIC RATED DRAG OFF
 NON-SLIP COVER

ISSUE DATE: 1/5/2009

AGENCY SERIES:

PART #:

ASY-0100-30-TR-AT



**INSIDE FOLD OUT
DETAILED VIEW**

CUSTOMER SERVICE

Order and delivery assistance
(916) 386-6174
pcservice@teichert.com

ENGINEERING/TECHNICAL SERVICE

Technical assistance and on site support
(916) 386-6177
pcengineering@teichert.com



TEICHERT PRECAST PRODUCTS

SACRAMENTO · STOCKTON
WWW.TEICHERTPRECASTPRODUCTS.COM

8180 SIGNAL COURT SACRAMENTO, CA 95824
PHONE: (916) 386-6174 FAX: (916) 386-8823

2441 W. CHARTER WAY STOCKTON, CA 95206
PHONE: (209) 464-7696 FAX: (209) 464-6822

2'-0" x 3'-0" x 2'-6"
AT&T SPLICE BOX
TRAFFIC RATED DRAG OFF
NON-SLIP COVER

ISSUE DATE:

1/5/2009

AGENCY SERIES:

PART #:

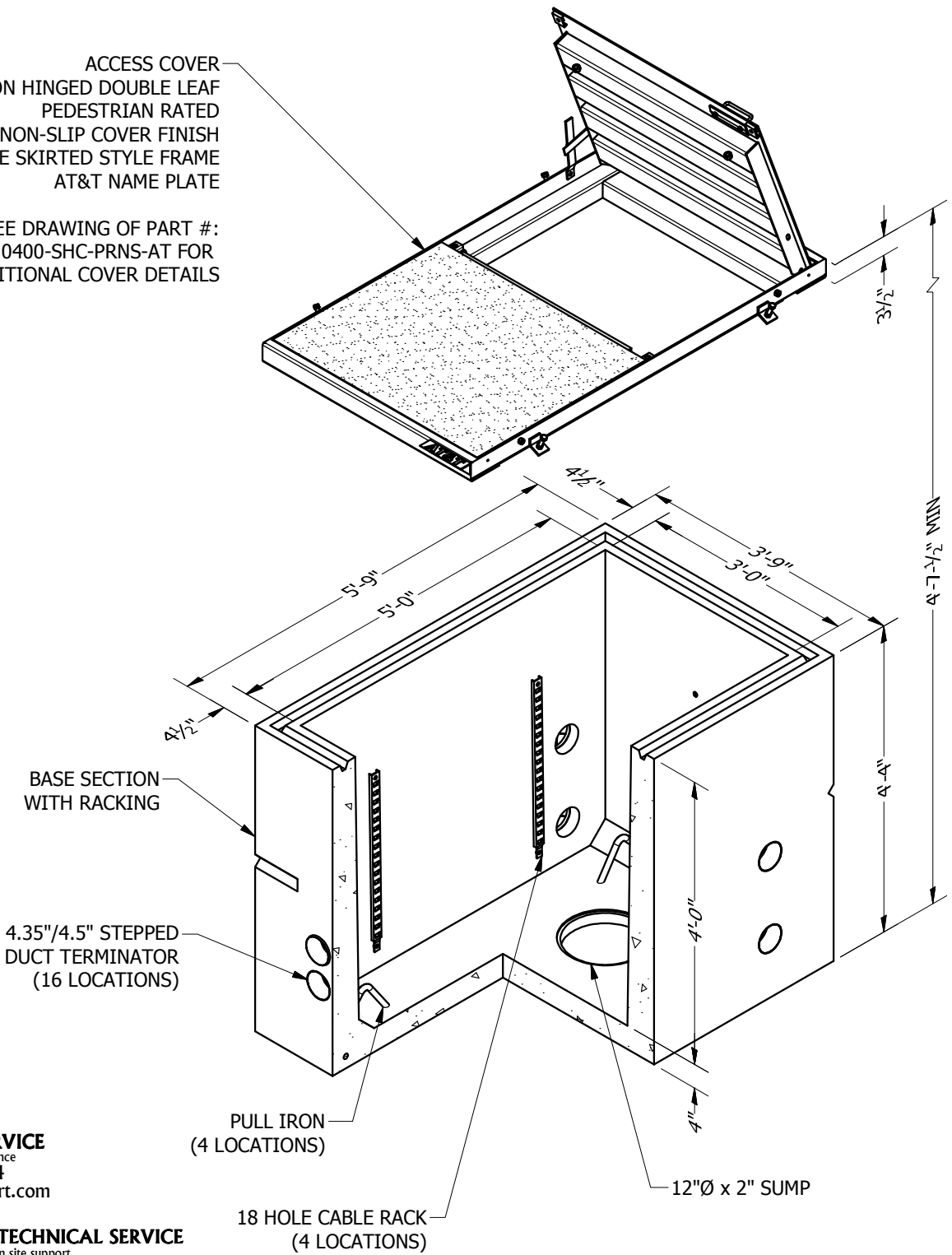
ASY-0100-30-TR-AT

MATERIAL LIST

PART NUM	DESCRIPTION	WEIGHT (LBS)
0400-B48-R-AT	3'-0" x 5'-0" x 4'-0" BASE WITH RACKING - AT&T	5214
0400-SHC-PRNS-AT	TORSION HINGED NON-SLIP STEEL COVER - PEDESTRIAN	380

ACCESS COVER
 TORSION HINGED DOUBLE LEAF
 PEDESTRIAN RATED
 NON-SLIP COVER FINISH
 ADJUSTABLE SKIRTED STYLE FRAME
 AT&T NAME PLATE

SEE DRAWING OF PART #:
 0400-SHC-PRNS-AT FOR
 ADDITIONAL COVER DETAILS



CUSTOMER SERVICE
 Order and delivery assistance
 (916) 386-6174
 pcservice@teichert.com

ENGINEERING/TECHNICAL SERVICE
 Technical assistance and on site support
 (916) 386-6177
 pceengineering@teichert.com



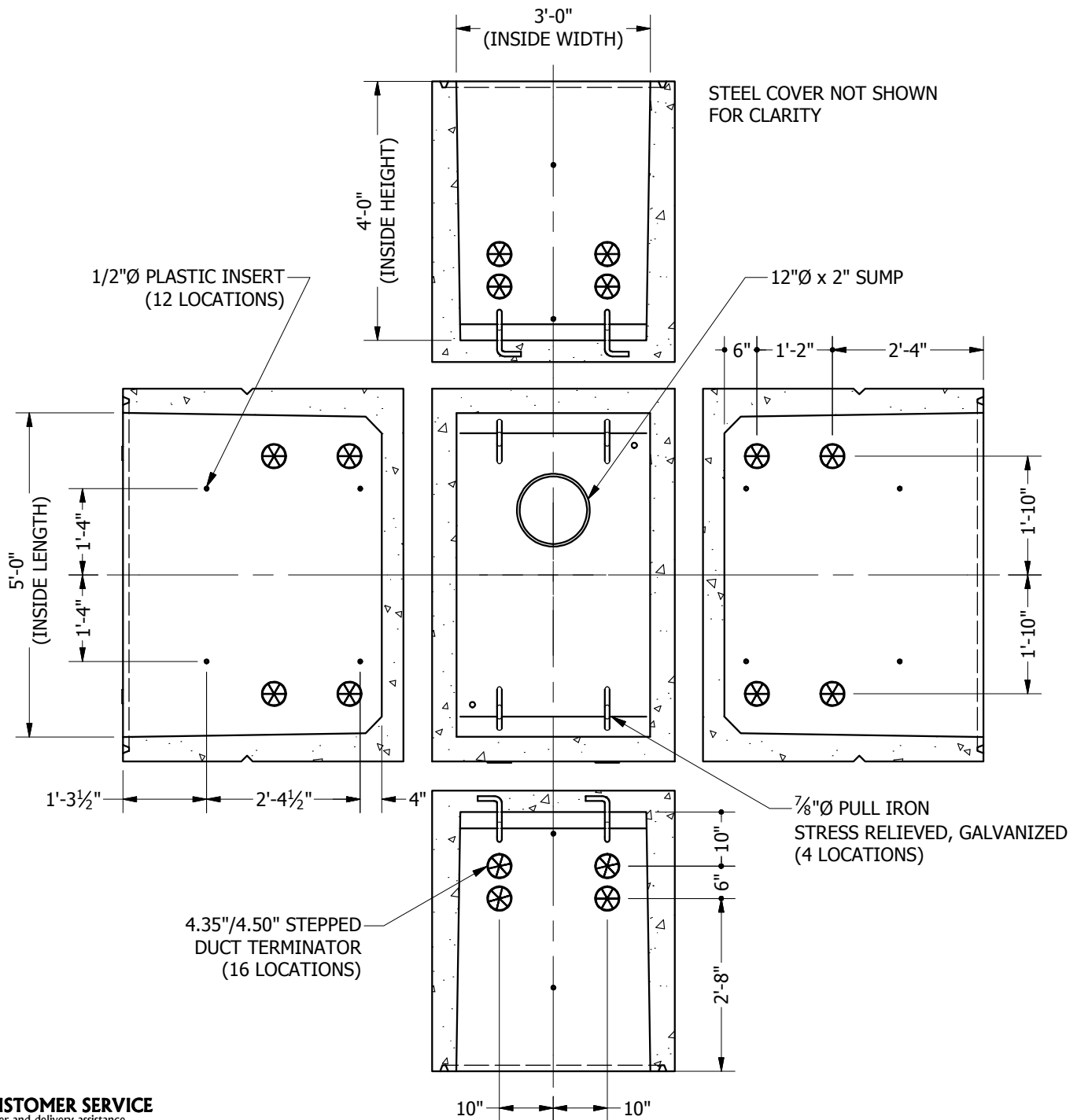
TEICHERT PRECAST PRODUCTS
 SACRAMENTO · STOCKTON
WWW.TEICHERTPRECASTPRODUCTS.COM

8180 SIGNAL COURT SACRAMENTO, CA 95824
 PHONE: (916) 386-6174 FAX: (916) 386-8823

2441 W. CHARTER WAY STOCKTON, CA 95206
 PHONE: (209) 464-7696 FAX: (209) 464-6822

3'-0" x 5'-0" x 4'-0"
 AT&T SUB-SURFACE ENCLOSURE
 PEDESTRIAN RATED HINGED
 NON-SLIP COVER

ISSUE DATE: 1/5/2009
 AGENCY SERIES: PTS-3660
 PART #: ASY-0400-48-HPR-AT



**INSIDE FOLD OUT
DETAILED VIEW**

CUSTOMER SERVICE

Order and delivery assistance
(916) 386-6174
pcservice@teichert.com

ENGINEERING/TECHNICAL SERVICE

Technical assistance and on site support
(916) 386-6177
pcengineering@teichert.com



TEICHERT PRECAST PRODUCTS

SACRAMENTO · STOCKTON
WWW.TEICHERTPRECASTPRODUCTS.COM

8180 SIGNAL COURT SACRAMENTO, CA 95824
PHONE: (916) 386-6174 FAX: (916) 386-8823

2441 W. CHARTER WAY STOCKTON, CA 95206
PHONE: (209) 464-7696 FAX: (209) 464-6822

3'-0" x 5'-0" x 4'-0"
AT&T SUB-SURFACE ENCLOSURE
PEDESTRIAN RATED HINGED
NON-SLIP COVER

ISSUE DATE:

1/5/2009

AGENCY SERIES:

PTS-3660

PART #:

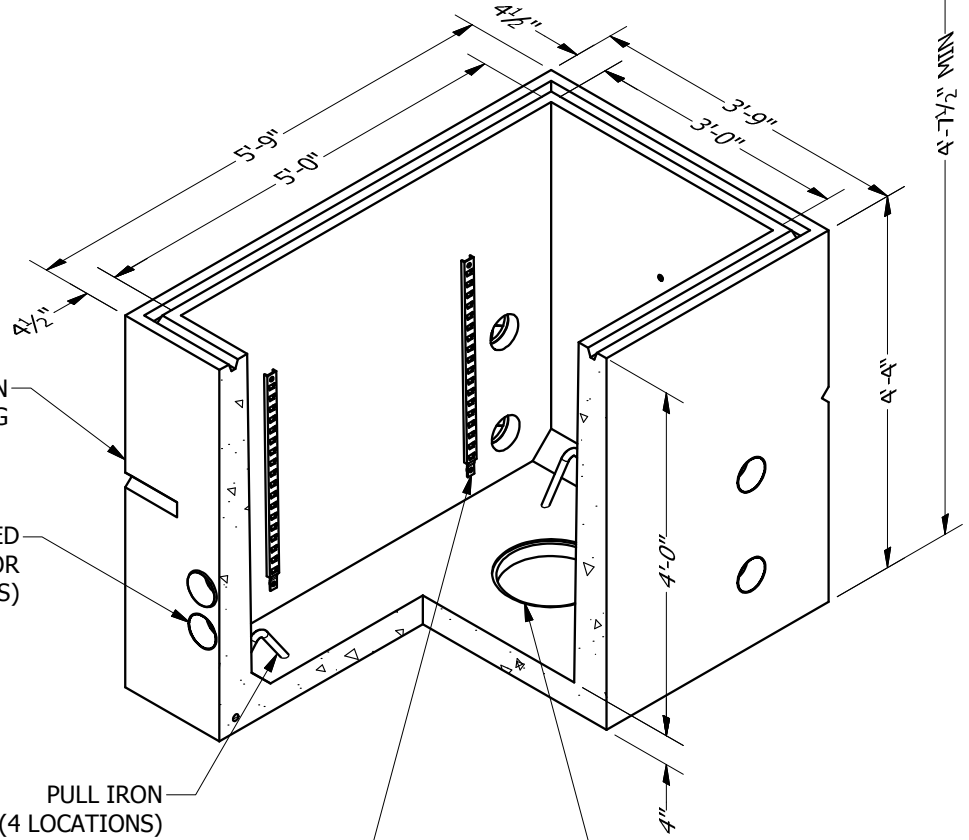
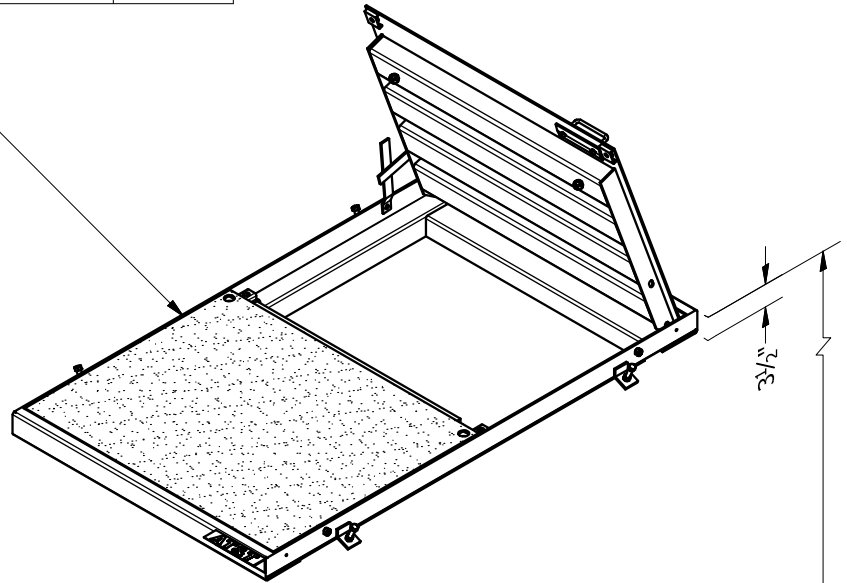
ASY-0400-48-HPR-AT

MATERIAL LIST

PART NUM	DESCRIPTION	WEIGHT (LBS)
0400-B48-R-AT	3'-0" x 5'-0" x 4'-0" BASE WITH RACKING - AT&T	5214
0400-SHC-TRNS-AT	TORSION HINGED NON-SLIP STEEL COVER - TRAFFIC RATED	445

ACCESS COVER
 TORSION HINGED DOUBLE LEAF
 H-20 TRAFFIC RATED (NON IMPACT)
 NON-SLIP COVER FINISH
 ADJUSTABLE SKIRTED STYLE FRAME
 AT&T NAME PLATE

SEE DRAWING OF PART #:
 0400-SHC-TRNS-AT FOR
 ADDITIONAL COVER DETAILS



BASE SECTION
 WITH RACKING

4.35"/4.5" STEPPED
 DUCT TERMINATOR
 (16 LOCATIONS)

PULL IRON
 (4 LOCATIONS)

18 HOLE CABLE RACK
 (4 LOCATIONS)

12"Ø x 2" SUMP

CUSTOMER SERVICE
 Order and delivery assistance
 (916) 386-6174
 pcservice@teichert.com

ENGINEERING/TECHNICAL SERVICE
 Technical assistance and on site support
 (916) 386-6177
 pceengineering@teichert.com



TEICHERT PRECAST PRODUCTS
 SACRAMENTO · STOCKTON
WWW.TEICHERTPRECASTPRODUCTS.COM

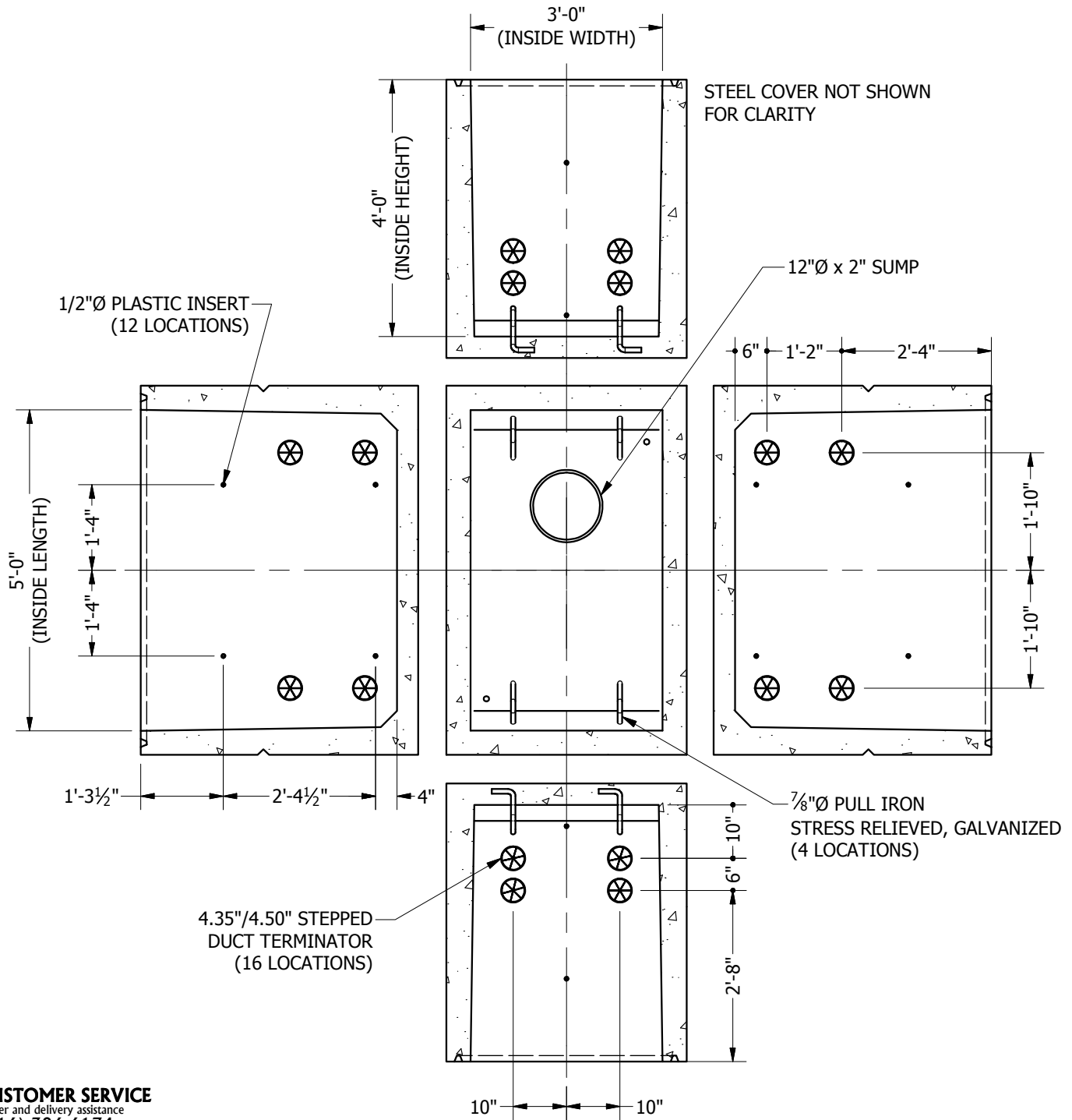
8180 SIGNAL COURT SACRAMENTO, CA 95824 2441 W. CHARTER WAY STOCKTON, CA 95206
 PHONE: (916) 386-6174 FAX: (916) 386-8823 PHONE: (209) 464-7696 FAX: (209) 464-6822

3'-0" x 5'-0" x 4'-0"
 AT&T SUB-SURFACE ENCLOSURE
 TRAFFIC RATED HINGED
 NON-SLIP COVER

ISSUE DATE: 1/5/2009

AGENCY SERIES: PTS-3660

PART #: ASY-0400-48-HTR-AT



CUSTOMER SERVICE
 Order and delivery assistance
 (916) 386-6174
 pcservice@teichert.com

ENGINEERING/TECHNICAL SERVICE
 Technical assistance and on site support
 (916) 386-6177
 pcengineering@teichert.com

**INSIDE FOLD OUT
 DETAILED VIEW**



TEICHERT PRECAST PRODUCTS
 SACRAMENTO · STOCKTON
 WWW.TEICHERTPRECASTPRODUCTS.COM

8180 SIGNAL COURT SACRAMENTO, CA 95824 2441 W. CHARTER WAY STOCKTON, CA 95206
 PHONE: (916) 386-6174 FAX: (916) 386-8823 PHONE: (209) 464-7696 FAX: (209) 464-6822

3'-0" x 5'-0" x 4'-0"
 AT&T SUB-SURFACE ENCLOSURE
 TRAFFIC RATED HINGED
 NON-SLIP COVER

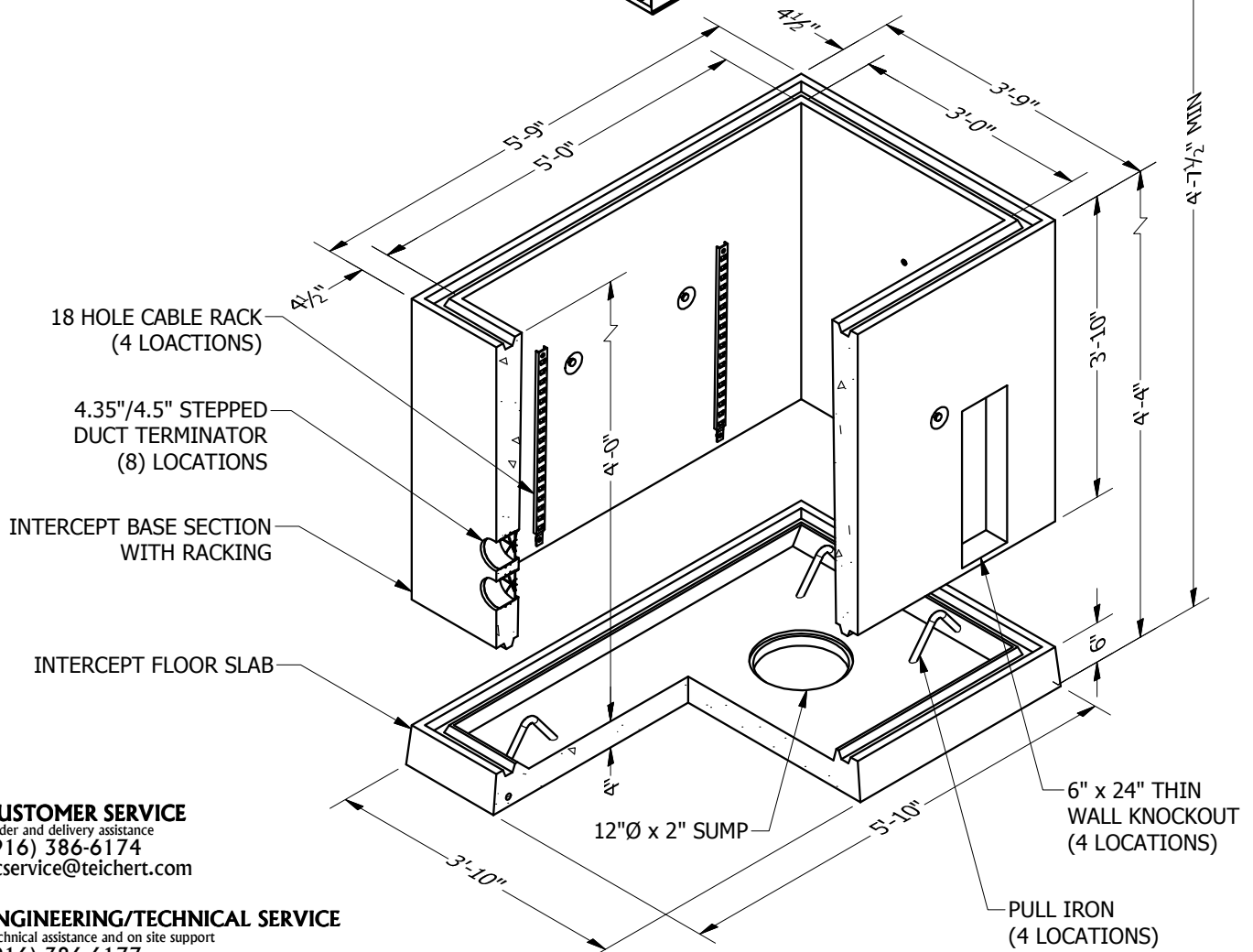
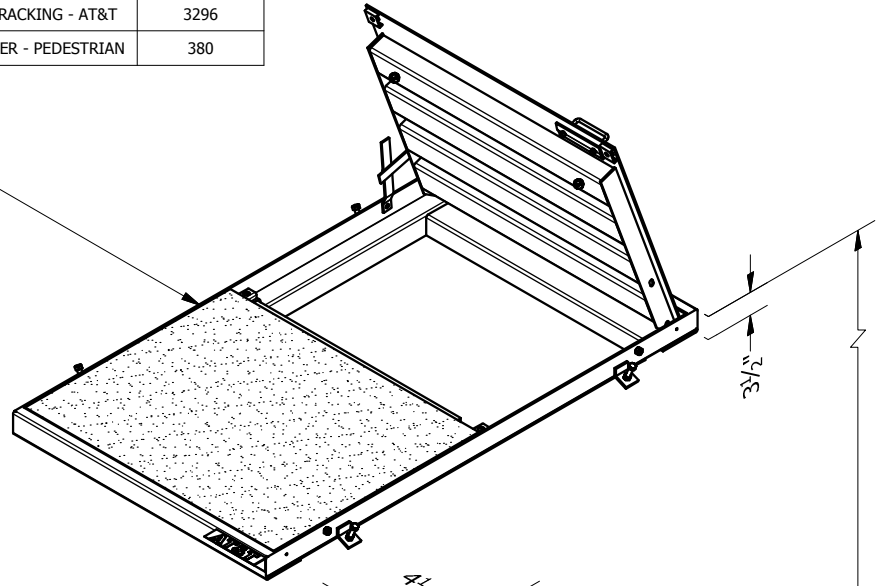
ISSUE DATE: 1/5/2009
 AGENCY SERIES: PTS-3660
 PART #: ASY-0400-48-HTR-AT

MATERIAL LIST

PART NUM	DESCRIPTION	WEIGHT (LBS)
0400-F06	3'-0" x 5'-0" x 6" INTERCEPT FLOOR	1228
0400-INT46-R-AT	3'-0" x 5'-0" x 3'-10" INTERCEPT WITH RACKING - AT&T	3296
0400-SHC-PRNS-AT	TORSION HINGED NON-SLIP STEEL COVER - PEDESTRIAN	380

ACCESS COVER
TORSION HINGED DOUBLE LEAF
PEDESTRIAN RATED
NON-SLIP COVER FINISH
ADJUSTABLE SKIRTED STYLE FRAME
AT&T NAME PLATE

SEE DRAWING OF PART #:
0400-SHC-PRNS-AT FOR
ADDITIONAL COVER DETAILS



CUSTOMER SERVICE
Order and delivery assistance
(916) 386-6174
pcservice@teichert.com

ENGINEERING/TECHNICAL SERVICE
Technical assistance and on site support
(916) 386-6177
pcengineering@teichert.com



TEICHERT PRECAST PRODUCTS
SACRAMENTO · STOCKTON
WWW.TEICHERTPRECASTPRODUCTS.COM

8180 SIGNAL COURT SACRAMENTO, CA 95824
PHONE: (916) 386-6174 FAX: (916) 386-8823

2441 W. CHARTER WAY STOCKTON, CA 95206
PHONE: (209) 464-7696 FAX: (209) 464-6822

3'-0" x 5'-0" x 4'-0" INTERCEPT
AT&T SUB-SURFACE ENCLOSURE
PEDESTRIAN RATED HINGED
NON-SLIP COVER

ISSUE DATE:

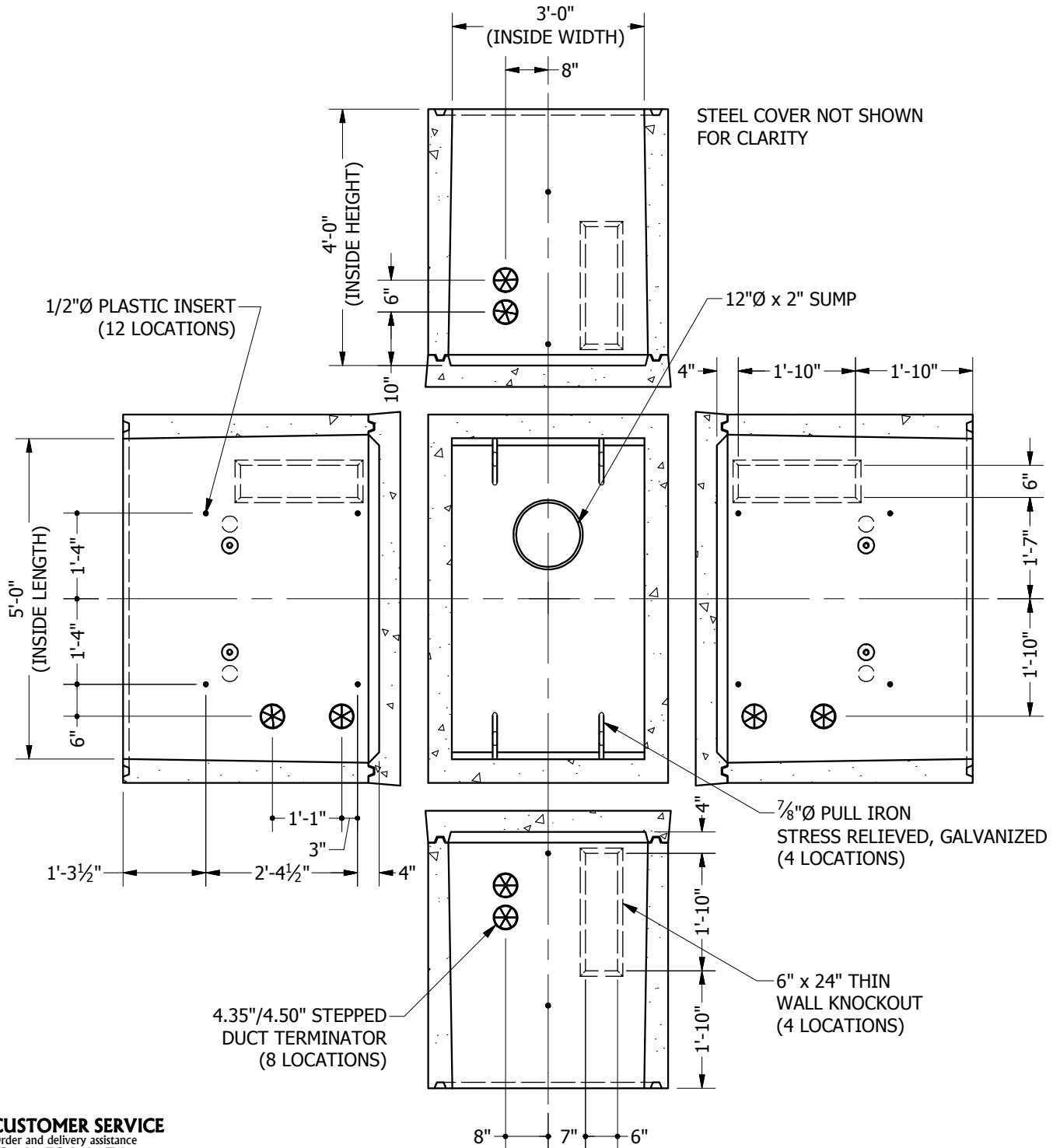
1/5/2009

AGENCY SERIES:

PTS-3660I

PART #:

ASY-0400-INT48-HPR-AT



**INSIDE FOLD OUT
DETAILED VIEW**

CUSTOMER SERVICE
Order and delivery assistance
(916) 386-6174
pcservice@teichert.com

ENGINEERING/TECHNICAL SERVICE
Technical assistance and on site support
(916) 386-6177
pcengineering@teichert.com

TEICHERT PRECAST PRODUCTS
SACRAMENTO · STOCKTON
WWW.TEICHERTPRECASTPRODUCTS.COM
8180 SIGNAL COURT SACRAMENTO, CA 95824 2441 W. CHARTER WAY STOCKTON, CA 95206
PHONE: (916) 386-6174 FAX: (916) 386-8823 PHONE: (209) 464-7696 FAX: (209) 464-6822

3'-0" x 5'-0" x 4'-0" INTERCEPT
AT&T SUB-SURFACE ENCLOSURE
PEDESTRIAN RATED HINGED
NON-SLIP COVER

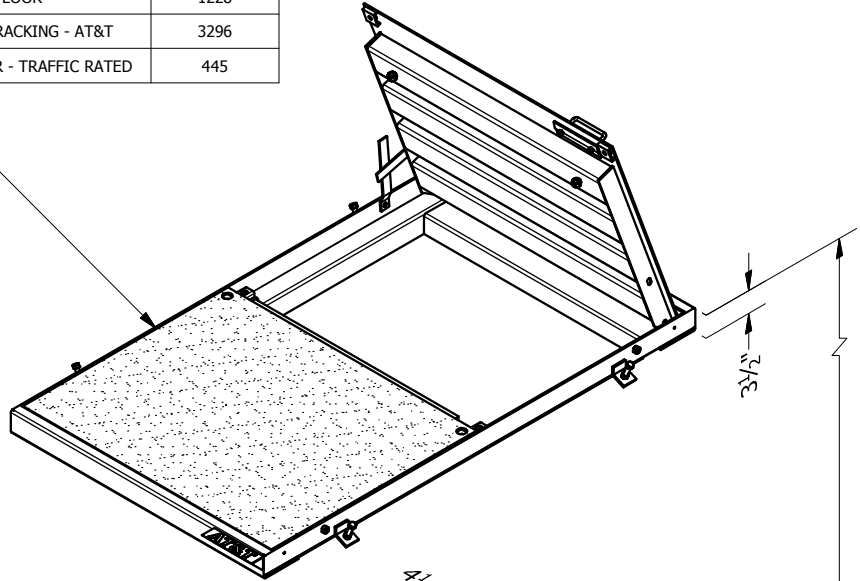
ISSUE DATE:	1/5/2009
AGENCY SERIES:	PTS-3660I
PART #:	ASY-0400-INT48-HPR-AT

MATERIAL LIST

PART NUM	DESCRIPTION	WEIGHT (LBS)
0400-F06	3'-0" x 5'-0" x 6" INTERCEPT FLOOR	1228
0400-INT46-R-AT	3'-0" x 5'-0" x 3'-10" INTERCEPT WITH RACKING - AT&T	3296
0400-SHC-TRNS-AT	TORSION HINGED NON-SLIP STEEL COVER - TRAFFIC RATED	445

ACCESS COVER
TORSION HINGED DOUBLE LEAF
H-20 TRAFFIC RATED (NON-IMPACT)
NON-SLIP COVER FINISH
ADJUSTABLE SKIRTED STYLE FRAME
AT&T NAME PLATE

SEE DRAWING OF PART #:
0400-SHC-TRNS-AT FOR
ADDITIONAL COVER DETAILS

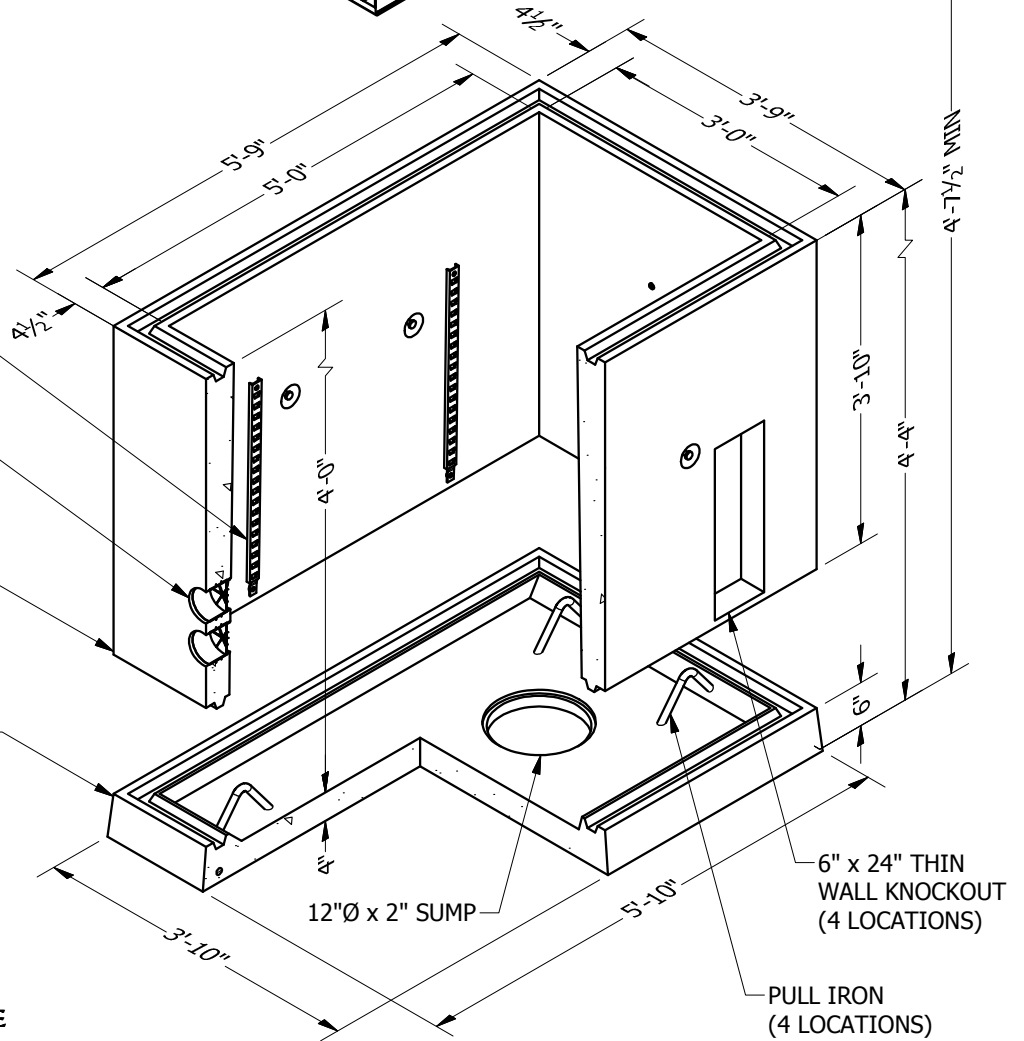


18 HOLE CABLE RACK
(4 LOCATIONS)

4.35"/4.5" STEPPED
DUCT TERMINATOR
(8) LOCATIONS

INTERCEPT BASE SECTION
WITH RACKING

INTERCEPT FLOOR SLAB



CUSTOMER SERVICE
Order and delivery assistance
(916) 386-6174
pcservice@teichert.com

ENGINEERING/TECHNICAL SERVICE
Technical assistance and on site support
(916) 386-6177
pcengineering@teichert.com

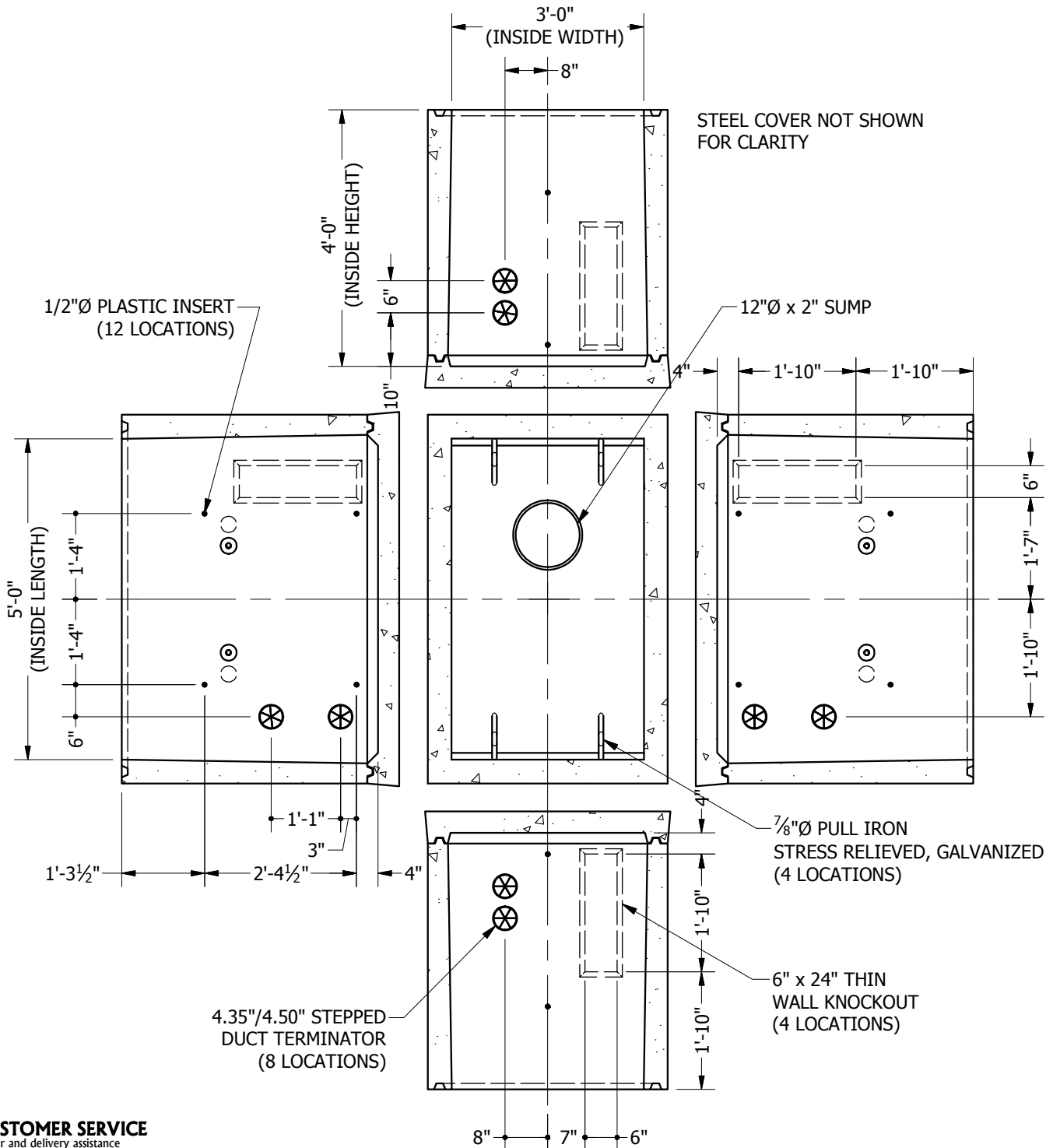


TEICHERT PRECAST PRODUCTS
SACRAMENTO · STOCKTON
WWW.TEICHERTPRECASTPRODUCTS.COM

8180 SIGNAL COURT SACRAMENTO, CA 95824 2441 W. CHARTER WAY STOCKTON, CA 95206
PHONE: (916) 386-6174 FAX: (916) 386-8823 PHONE: (209) 464-7696 FAX: (209) 464-6822

3'-0" x 5'-0" x 4'-0" INTERCEPT
AT&T SUB-SURFACE ENCLOSURE
TRAFFIC RATED HINGED
NON-SLIP COVER

ISSUE DATE: 1/5/2009
AGENCY SERIES: PTS-3660I
PART #: ASY-0400-INT48-HTR-AT



CUSTOMER SERVICE
Order and delivery assistance
(916) 386-6174
pcservice@teichert.com

ENGINEERING/TECHNICAL SERVICE
Technical assistance and on site support
(916) 386-6177
pcengineering@teichert.com

**INSIDE FOLD OUT
DETAILED VIEW**



TEICHERT PRECAST PRODUCTS
SACRAMENTO · STOCKTON
WWW.TEICHERTPRECASTPRODUCTS.COM

8180 SIGNAL COURT SACRAMENTO, CA 95824 2441 W. CHARTER WAY STOCKTON, CA 95206
PHONE: (916) 386-6174 FAX: (916) 386-8823 PHONE: (209) 464-7696 FAX: (209) 464-6822

3'-0" x 5'-0" x 4'-0" INTERCEPT
AT&T SUB-SURFACE ENCLOSURE
TRAFFIC RATED HINGED
NON-SLIP COVER

ISSUE DATE: 1/5/2009
AGENCY SERIES: PTS-3660I
PART #: ASY-0400-INT48-HTR-AT

MATERIAL LIST

PART NUM	DESCRIPTION	WEIGHT (LBS)
0400-B48-R-AT	3'-0" x 5'-0" x 4'-0" BASE WITH RACKING - AT&T	5214
0400-SDC-PRNS-AT	BOLT DOWN / DRAG OFF NON-SLIP STEEL COVER - PEDESTRIAN	395

ACCESS COVER
BOLT DOWN / DRAG-OFF DOUBLE LEAF
PEDESTRIAN RATED
NON-SLIP COVER FINISH

SEE DRAWING OF PART#:
0400-SDC-PRNS-AT FOR
ADDITIONAL COVER DETAILS

ADJUSTABLE SKIRTED
STYLE FRAME
AT&T NAME PLATE

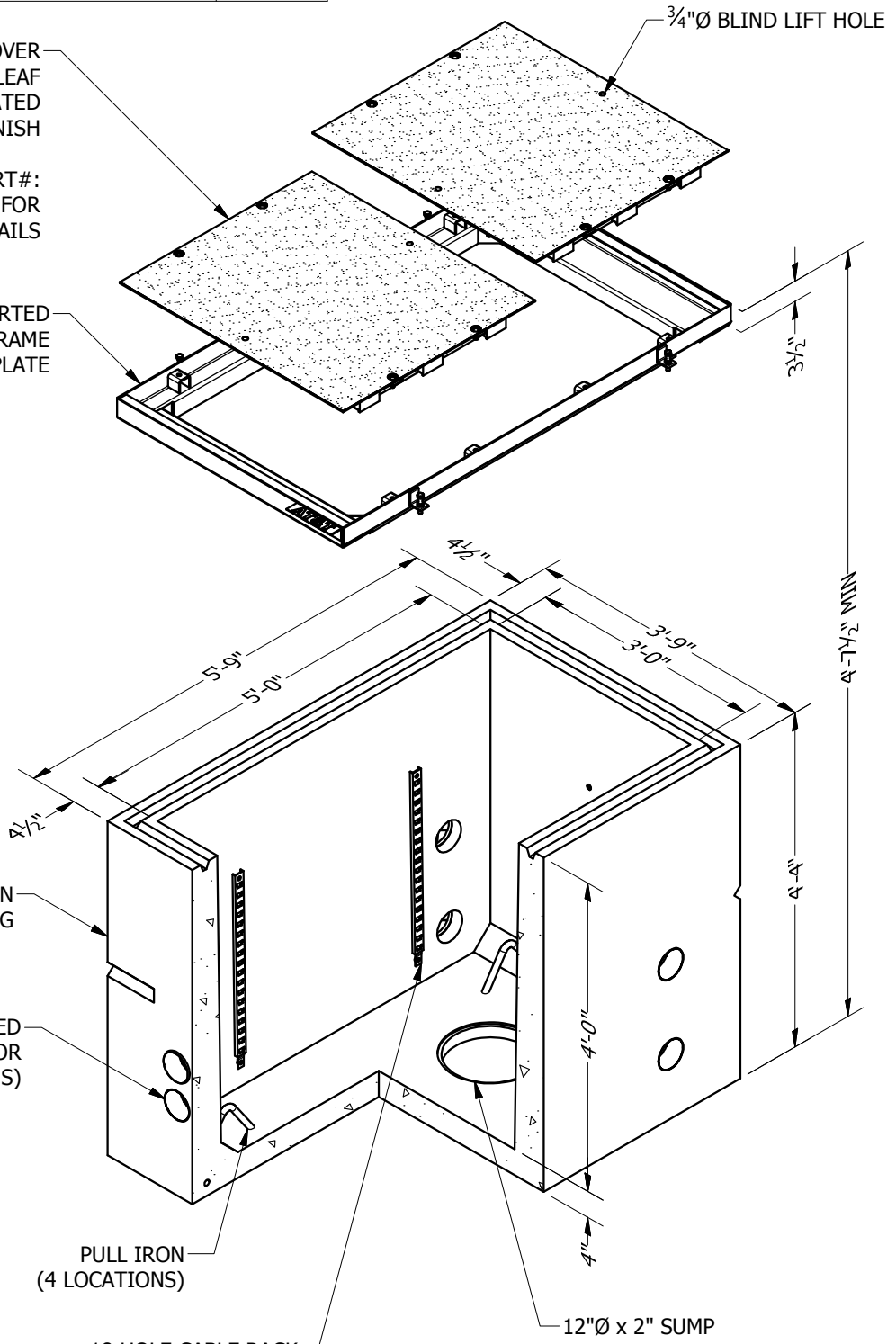
BASE SECTION
WITH RACKING

4.35"/4.5" STEPPED
DUCT TERMINATOR
(16 LOCATIONS)

PULL IRON
(4 LOCATIONS)

18 HOLE CABLE RACK
(4 LOCATIONS)

3/4"Ø BLIND LIFT HOLE



CUSTOMER SERVICE
Order and delivery assistance
(916) 386-6174
pcservice@teichert.com

ENGINEERING/TECHNICAL SERVICE
Technical assistance and on site support
(916) 386-6177
pcengineering@teichert.com



TEICHERT PRECAST PRODUCTS
SACRAMENTO · STOCKTON
WWW.TEICHERTPRECASTPRODUCTS.COM

8180 SIGNAL COURT SACRAMENTO, CA 95824
PHONE: (916) 386-6174 FAX: (916) 386-8823

2441 W. CHARTER WAY STOCKTON, CA 95206
PHONE: (209) 464-7696 FAX: (209) 464-6822

3'-0" x 5'-0" x 4'-0"
AT&T SUB-SURFACE ENCLOSURE
PEDESTRIAN RATED DRAG OFF
NON-SLIP COVER

ISSUE DATE:

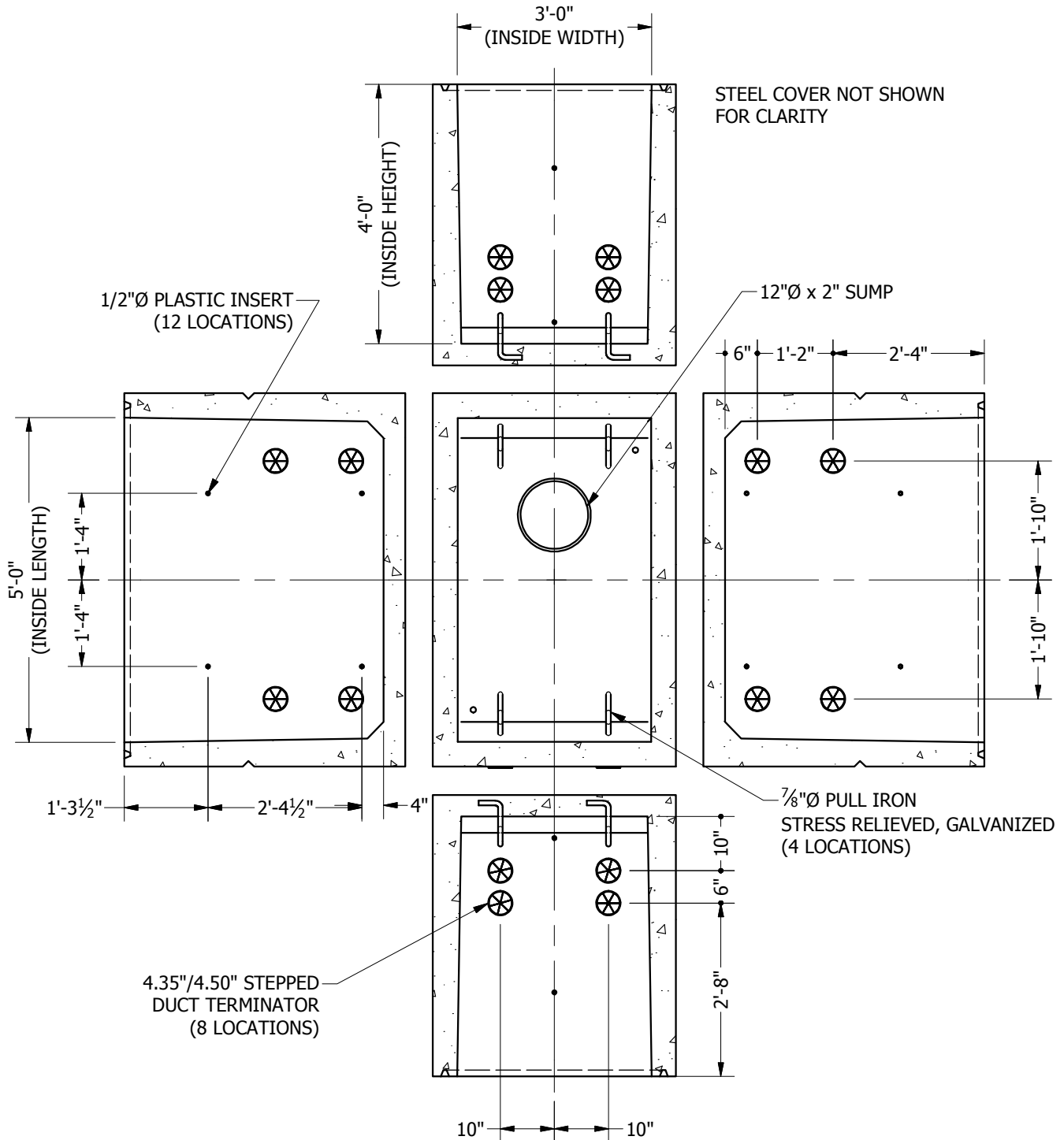
1/5/2009

AGENCY SERIES:

PTS-3660

PART #:

ASY-0400-48-DPR-AT



CUSTOMER SERVICE
 Order and delivery assistance
 (916) 386-6174
 pcservice@teichert.com

ENGINEERING/TECHNICAL SERVICE
 Technical assistance and on site support
 (916) 386-6177
 pcengineering@teichert.com

**INSIDE FOLD OUT
 DETAILED VIEW**



TEICHERT PRECAST PRODUCTS
 SACRAMENTO · STOCKTON
 WWW.TEICHERTPRECASTPRODUCTS.COM

8180 SIGNAL COURT SACRAMENTO, CA 95824
 PHONE: (916) 386-6174 FAX: (916) 386-8823

2441 W. CHARTER WAY STOCKTON, CA 95206
 PHONE: (209) 464-7696 FAX: (209) 464-6822

3'-0" x 5'-0" x 4'-0"
 AT&T SUB-SURFACE ENCLOSURE
 PEDESTRIAN RATED DRAG OFF
 NON-SLIP COVER

ISSUE DATE:

1/5/2009

AGENCY SERIES:

PTS-3660

PART #:

ASY-0400-48-DPR-AT

AT&T PID: 000600031

MATERIAL LIST

PART NUM	DESCRIPTION	WEIGHT (LBS)
0400-B48-R-AT	3'-0" x 5'-0" x 4'-0" BASE WITH RACKING - AT&T	5214
0400-SDC-TRNS-AT	BOLT DOWN / DRAG OFF NON-SLIP STEEL COVER - TRAFFIC RATED	450

ACCESS COVER
BOLT DOWN / DRAG-OFF DOUBLE LEAF
H-20 TRAFFIC RATED (NON IMPACT)
NON-SLIP COVER FINISH

SEE DRAWING OF PART#:
0400-SDC-TRNS-AT FOR
ADDITIONAL COVER DETAILS

ADJUSTABLE SKIRTED
STYLE FRAME
AT&T NAME PLATE

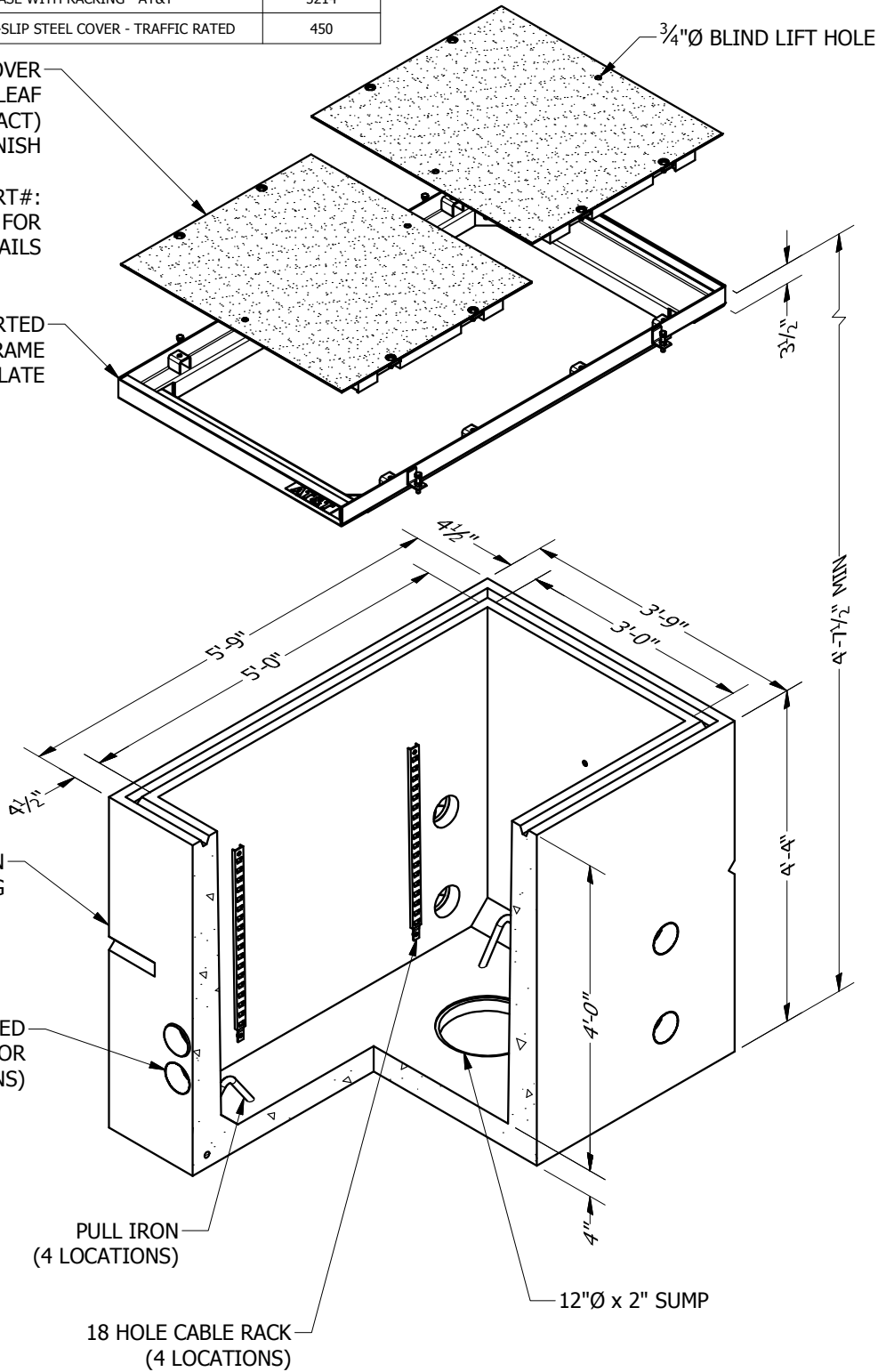
BASE SECTION
WITH RACKING

4.35"/4.5" STEPPED
DUCT TERMINATOR
(16 LOCATIONS)

PULL IRON
(4 LOCATIONS)

18 HOLE CABLE RACK
(4 LOCATIONS)

12"Ø x 2" SUMP



CUSTOMER SERVICE
Order and delivery assistance
(916) 386-6174
pcservice@teichert.com

ENGINEERING/TECHNICAL SERVICE
Technical assistance and on site support
(916) 386-6177
pcengineering@teichert.com



TEICHERT PRECAST PRODUCTS

SACRAMENTO · STOCKTON
WWW.TEICHERTPRECASTPRODUCTS.COM

8180 SIGNAL COURT SACRAMENTO, CA 95824
PHONE: (916) 386-6174 FAX: (916) 386-8823

2441 W. CHARTER WAY STOCKTON, CA 95206
PHONE: (209) 464-7696 FAX: (209) 464-6822

3'-0" x 5'-0" x 4'-0"
AT&T SUB-SURFACE ENCLOSURE
TRAFFIC RATED DRAG OFF
NON-SLIP COVER

ISSUE DATE:

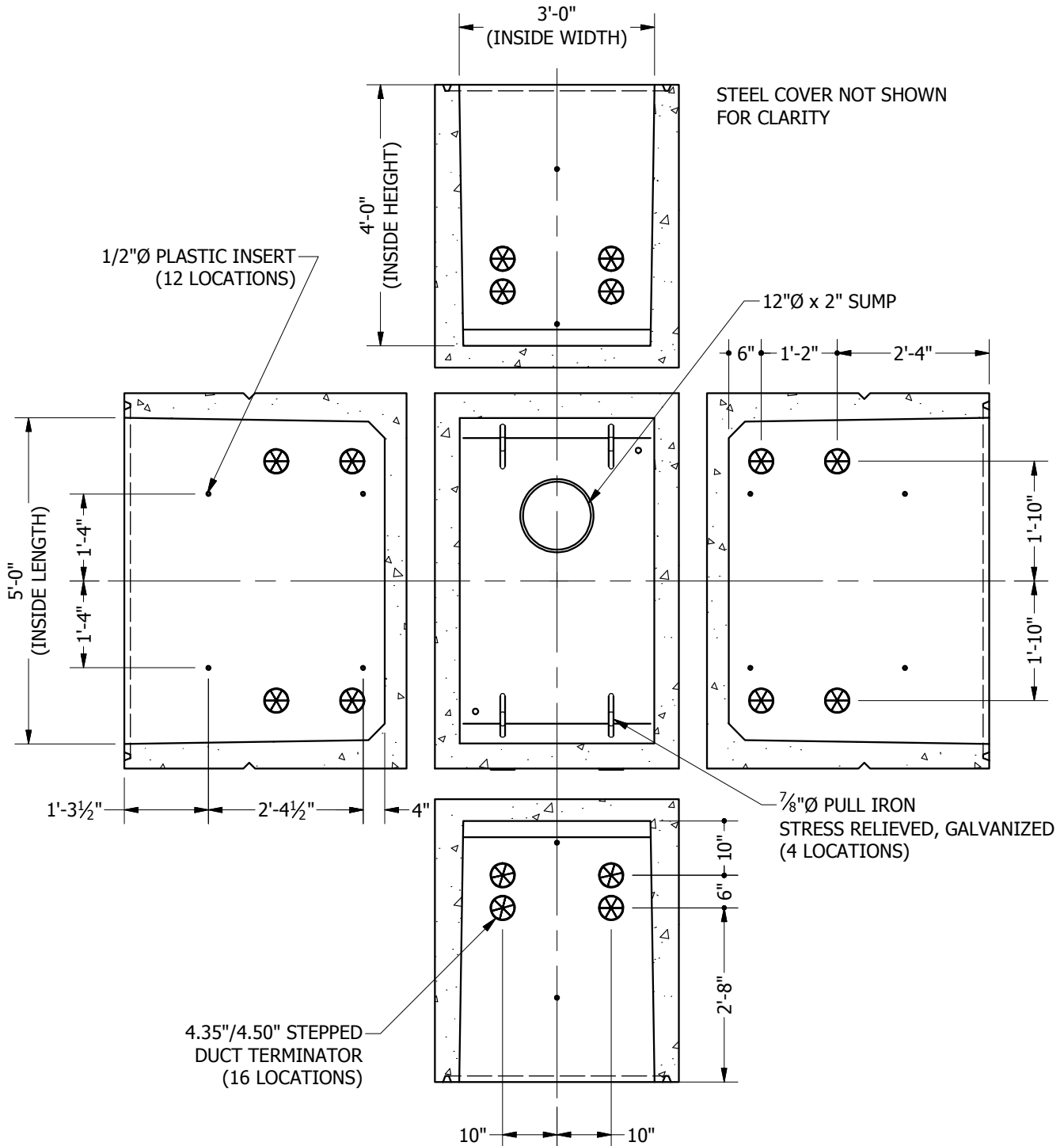
1/5/2009

AGENCY SERIES:

PTS-3660

PART #:

ASY-0400-48-DTR-AT



**INSIDE FOLD OUT
DETAILED VIEW**

CUSTOMER SERVICE

Order and delivery assistance
(916) 386-6174
pcservice@teichert.com

ENGINEERING/TECHNICAL SERVICE

Technical assistance and on site support
(916) 386-6177
pcengineering@teichert.com



TEICHERT PRECAST PRODUCTS

SACRAMENTO · STOCKTON
WWW.TEICHERTPRECASTPRODUCTS.COM

8180 SIGNAL COURT SACRAMENTO, CA 95824 2441 W. CHARTER WAY STOCKTON, CA 95206
PHONE: (916) 386-6174 FAX: (916) 386-8823 PHONE: (209) 464-7696 FAX: (209) 464-6822

3'-0" x 5'-0" x 4'-0"
AT&T SUB-SURFACE ENCLOSURE
TRAFFIC RATED DRAG OFF
NON-SLIP COVER

ISSUE DATE:

1/5/2009

AGENCY SERIES:

PTS-3660

PART #:

ASY-0400-48-DTR-AT

AT&T PID: 000600049

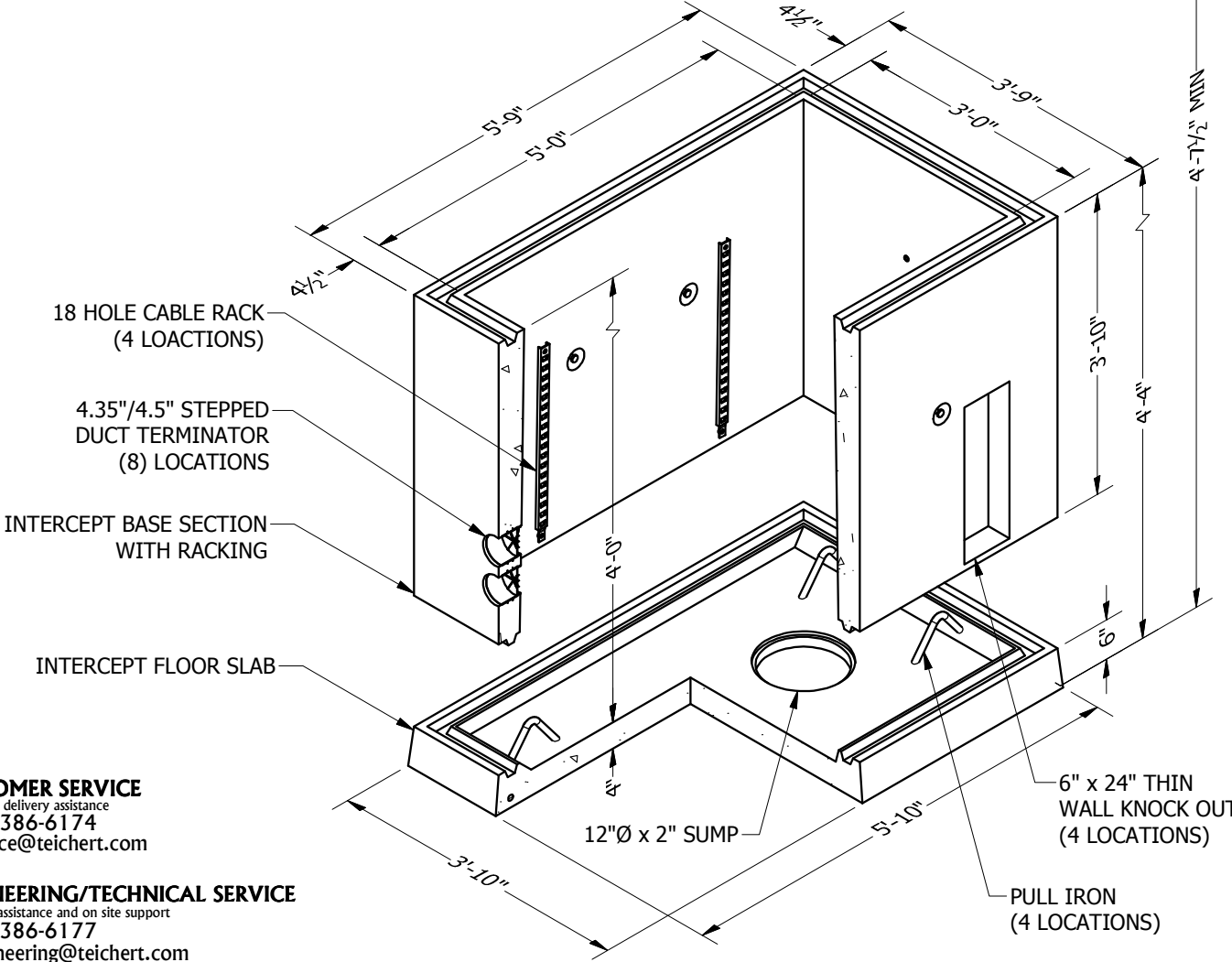
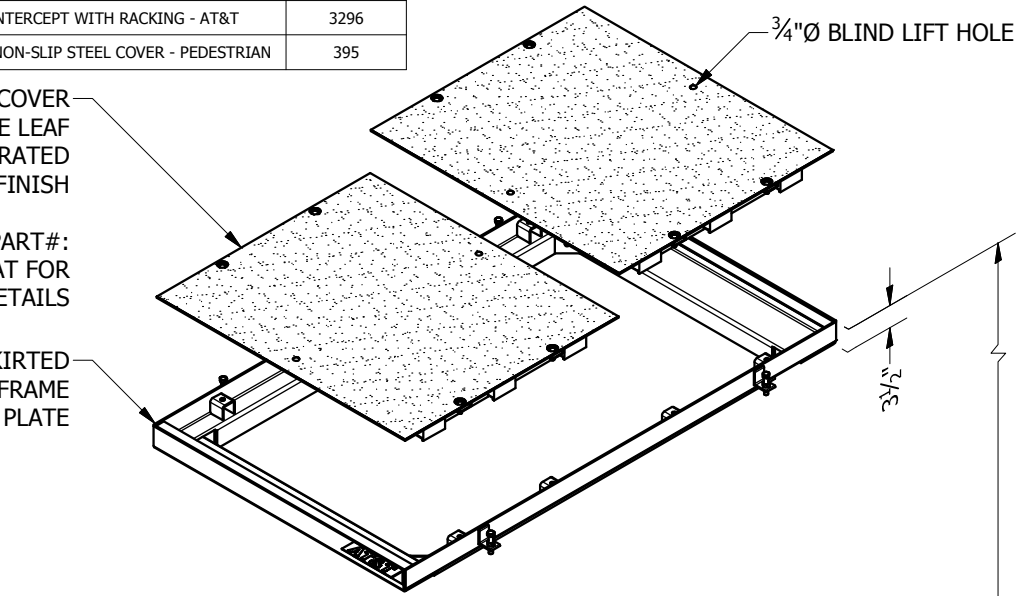
MATERIAL LIST

PART NUM	DESCRIPTION	WEIGHT (LBS)
0400-F06	3'-0" x 5'-0" x 6" INTERCEPT FLOOR	1228
0400-INT46-R-AT	3'-0" x 5'-0" x 3'-10" INTERCEPT WITH RACKING - AT&T	3296
0400-SDC-PRNS-AT	BOLT DOWN / DRAG OFF NON-SLIP STEEL COVER - PEDESTRIAN	395

ACCESS COVER
BOLT DOWN / DRAG-OFF DOUBLE LEAF
PEDESTRIAN RATED
NON-SLIP COVER FINISH

SEE DRAWING OF PART#:
0400-SDC-PRNS-AT FOR
ADDITIONAL COVER DETAILS

ADJUSTABLE SKIRTED
STYLE FRAME
AT&T NAME PLATE



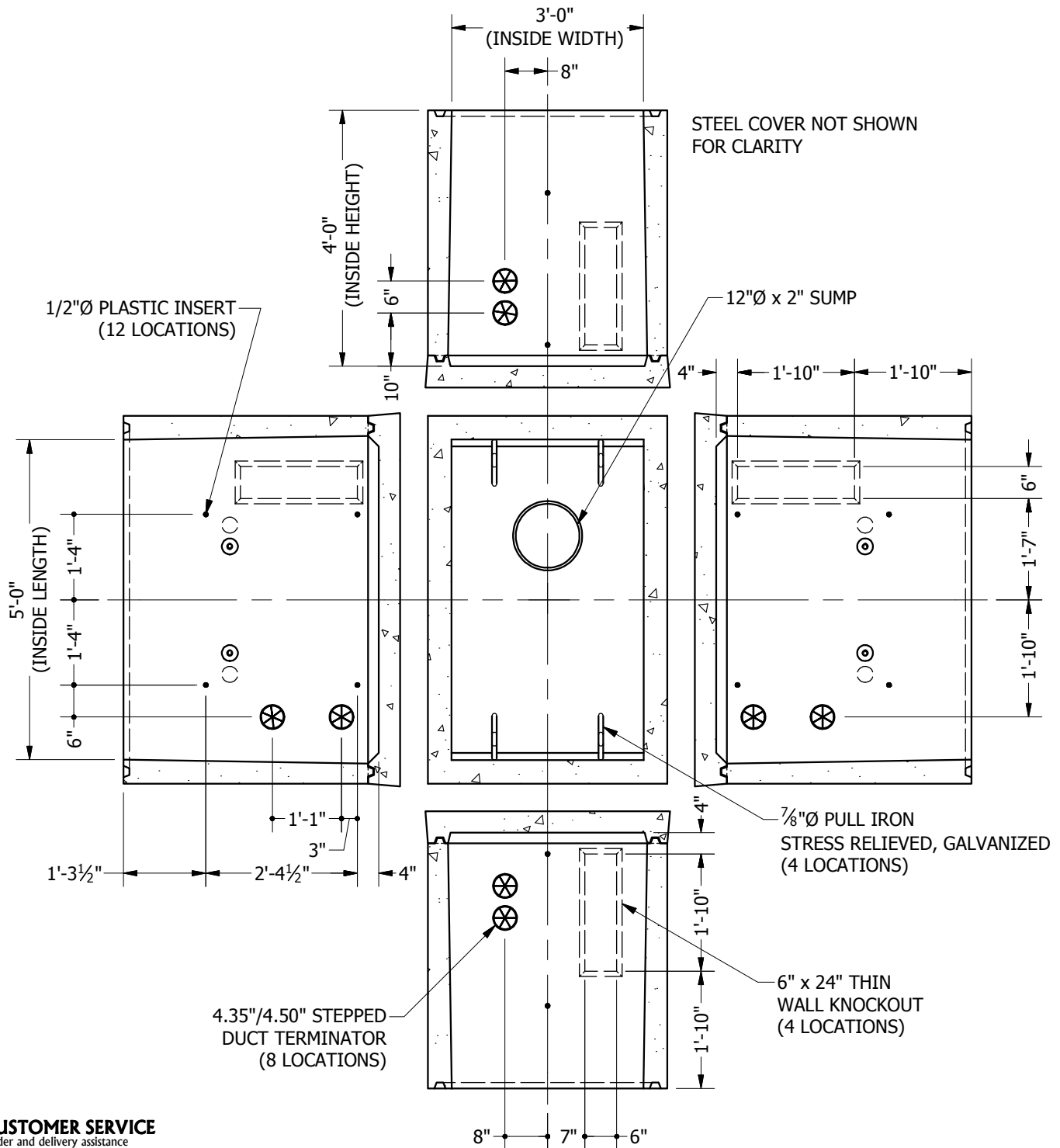
CUSTOMER SERVICE
Order and delivery assistance
(916) 386-6174
pcservice@teichert.com

ENGINEERING/TECHNICAL SERVICE
Technical assistance and on site support
(916) 386-6177
pcengineering@teichert.com

TEICHERT PRECAST PRODUCTS
SACRAMENTO · STOCKTON
WWW.TEICHERTPRECASTPRODUCTS.COM
8180 SIGNAL COURT SACRAMENTO, CA 95824 2441 W. CHARTER WAY STOCKTON, CA 95206
PHONE: (916) 386-6174 FAX: (916) 386-8823 PHONE: (209) 464-7696 FAX: (209) 464-6822

3'-0" x 5'-0" x 4'-0" INTERCEPT
AT&T SUB-SURFACE ENCLOSURE
PEDESTRIAN RATED DRAG OFF
NON-SLIP COVER

ISSUE DATE: 1/5/2009
AGENCY SERIES: PTS-3660I
PART #: ASY-0400-INT48-DPR-AT



CUSTOMER SERVICE
 Order and delivery assistance
 (916) 386-6174
 pcservice@teichert.com

ENGINEERING/TECHNICAL SERVICE
 Technical assistance and on site support
 (916) 386-6177
 pceengineering@teichert.com

**INSIDE FOLD OUT
 DETAILED VIEW**



TEICHERT PRECAST PRODUCTS
 SACRAMENTO · STOCKTON
 WWW.TEICHERTPRECASTPRODUCTS.COM

8180 SIGNAL COURT SACRAMENTO, CA 95824 2441 W. CHARTER WAY STOCKTON, CA 95206
 PHONE: (916) 386-6174 FAX: (916) 386-8823 PHONE: (209) 464-7696 FAX: (209) 464-6822

3'-0" x 5'-0" x 4'-0" INTERCEPT
 AT&T SUB-SURFACE ENCLOSURE
 PEDESTRIAN RATED DRAG OFF
 NON-SLIP COVER

ISSUE DATE: 1/5/2009
 AGENCY SERIES: PTS-3660I
 PART #: ASY-0400-INT48-DPR-AT

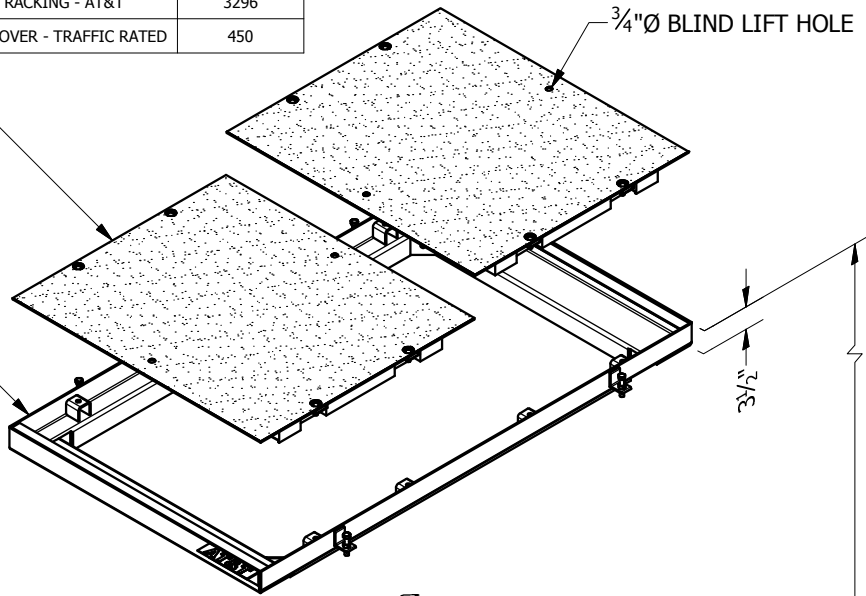
MATERIAL LIST

PART NUM	DESCRIPTION	WEIGHT (LBS)
0400-F06	3'-0" x 5'-0" x 6" INTERCEPT FLOOR	1228
0400-INT46-R-AT	3'-0" x 5'-0" x 3'-10" INTERCEPT WITH RACKING - AT&T	3296
0400-SDC-TRNS-AT	BOLT DOWN / DRAG OFF NON-SLIP STEEL COVER - TRAFFIC RATED	450

ACCESS COVER
BOLT DOWN / DRAG-OFF DOUBLE LEAF
H-20 TRAFFIC RATED (NON-IMPACT)
NON-SLIP COVER FINISH

SEE DRAWING OF PART #:
0400-SDC-TRNS-AT FOR
ADDITIONAL COVER DETAILS

ADJUSTABLE SKIRTED
STYLE FRAME
AT&T NAME PLATE

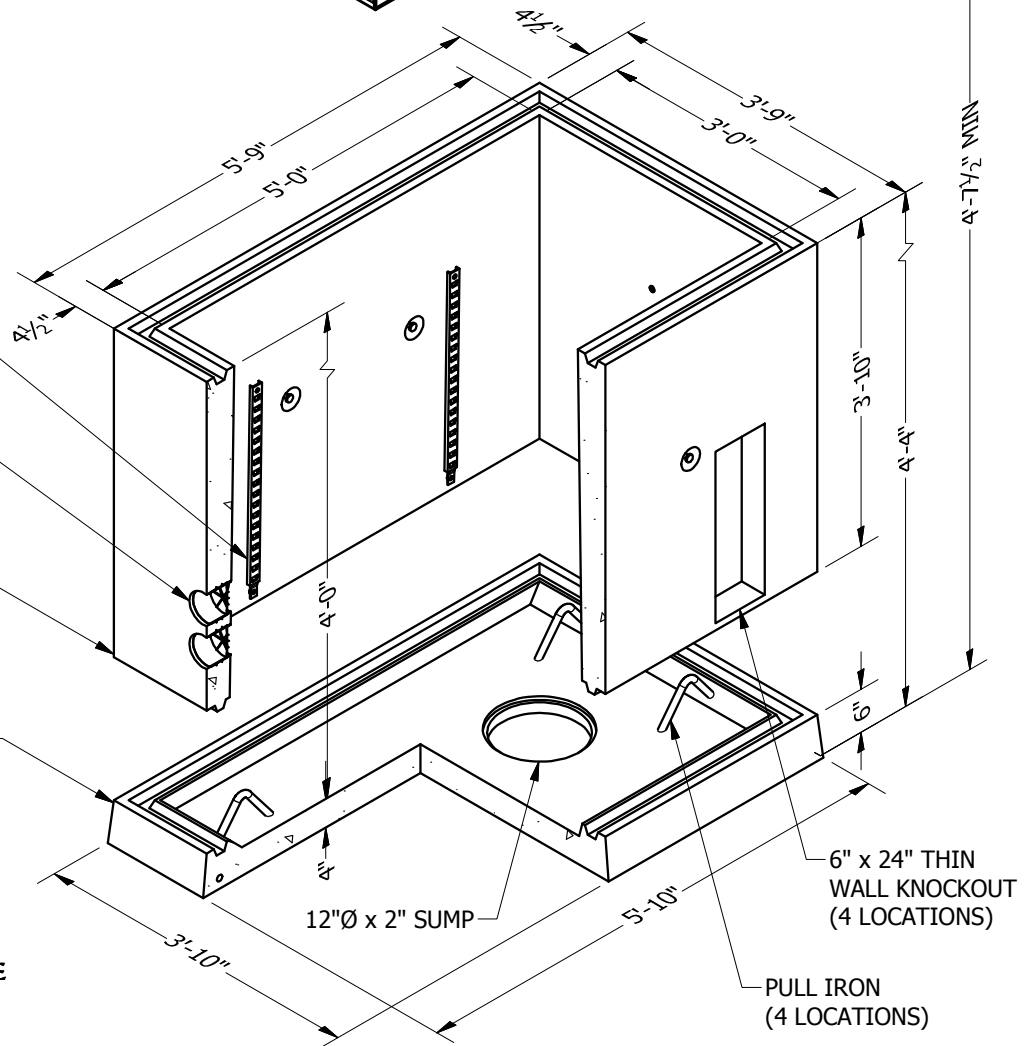


18 HOLE CABLE RACK
(4 LOCATIONS)

4.35"/4.5" STEPPED
DUCT TERMINATOR
(8) LOCATIONS

INTERCEPT BASE SECTION
WITH RACKING

INTERCEPT FLOOR SLAB



CUSTOMER SERVICE
Order and delivery assistance
(916) 386-6174
pcservice@teichert.com

ENGINEERING/TECHNICAL SERVICE
Technical assistance and on site support
(916) 386-6177
pcengineering@teichert.com

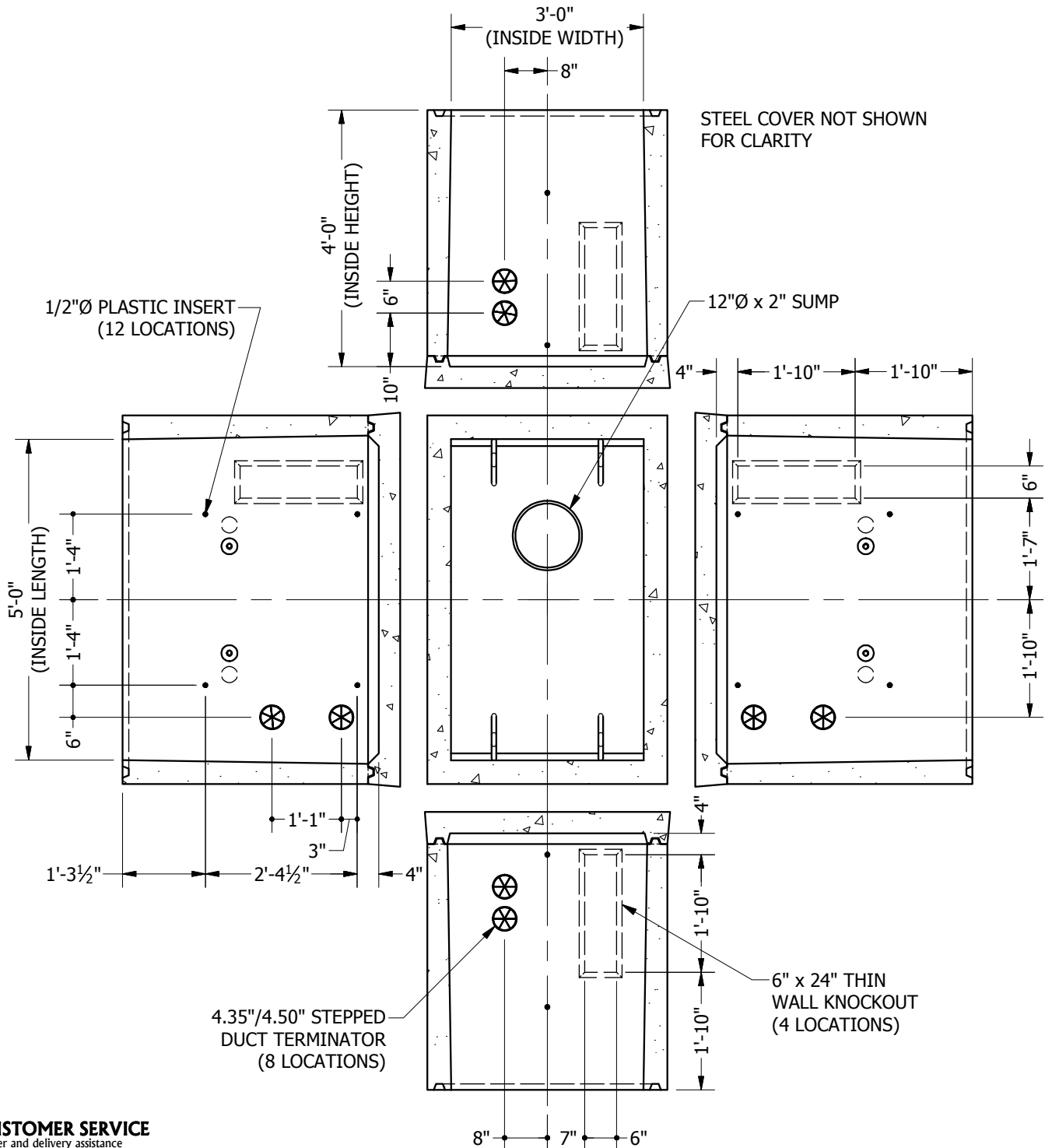


TEICHERT PRECAST PRODUCTS
SACRAMENTO · STOCKTON
WWW.TEICHERTPRECASTPRODUCTS.COM

8180 SIGNAL COURT SACRAMENTO, CA 95824 2441 W. CHARTER WAY STOCKTON, CA 95206
PHONE: (916) 386-6174 FAX: (916) 386-8823 PHONE: (209) 464-7696 FAX: (209) 464-6822

3'-0" x 5'-0" x 4'-0" INTERCEPT
AT&T SUB-SURFACE ENCLOSURE
TRAFFIC RATED DRAG OFF
NON-SLIP COVER

ISSUE DATE: 1/5/2009
AGENCY SERIES: PTS-3660I
PART #: ASY-0400-INT48-DTR-AT



CUSTOMER SERVICE
 Order and delivery assistance
 (916) 386-6174
 pcservice@teichert.com

ENGINEERING/TECHNICAL SERVICE
 Technical assistance and on site support
 (916) 386-6177
 pcengineering@teichert.com

**INSIDE FOLD OUT
 DETAILED VIEW**

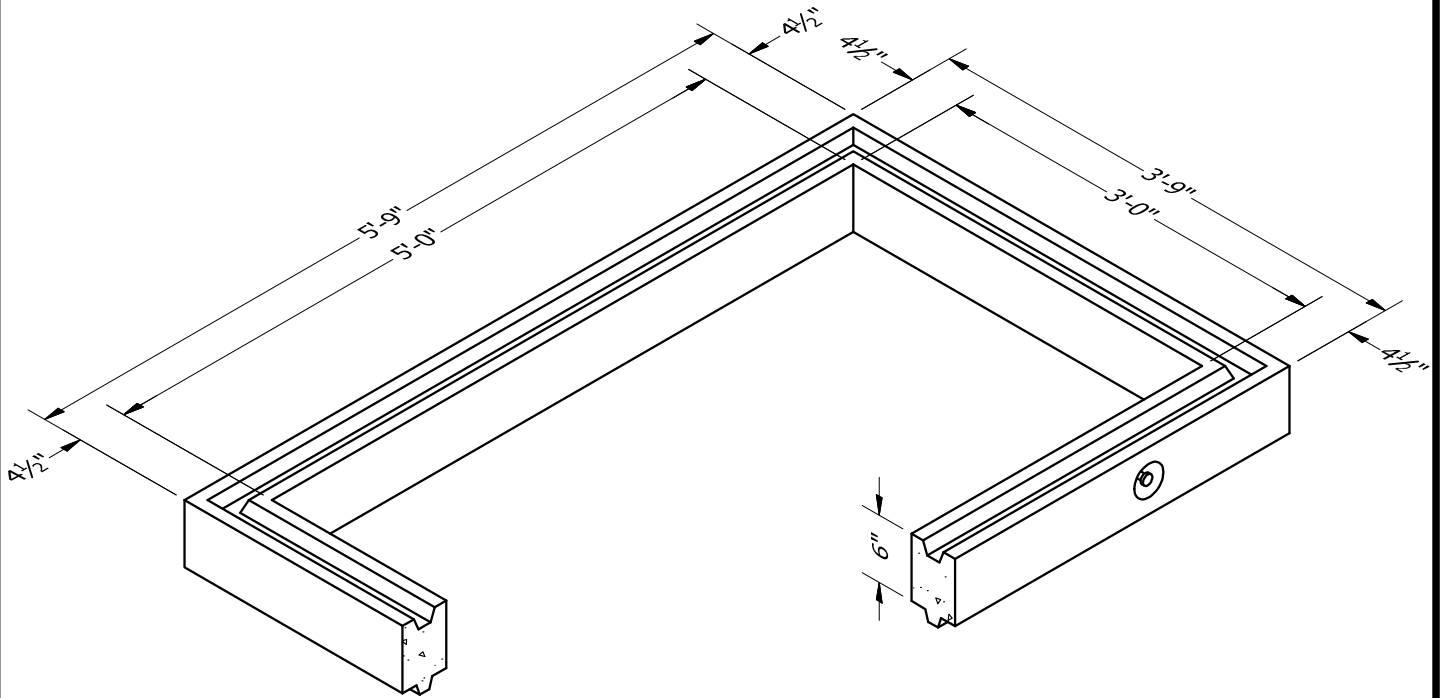


TEICHERT PRECAST PRODUCTS
 SACRAMENTO · STOCKTON
 WWW.TEICHERTPRECASTPRODUCTS.COM

8180 SIGNAL COURT SACRAMENTO, CA 95824 2441 W. CHARTER WAY STOCKTON, CA 95206
 PHONE: (916) 386-6174 FAX: (916) 386-8823 PHONE: (209) 464-7696 FAX: (209) 464-6822

3'-0" x 5'-0" x 4'-0" INTERCEPT
 AT&T SUB-SURFACE ENCLOSURE
 TRAFFIC RATED DRAG OFF
 NON-SLIP COVER

ISSUE DATE: 1/5/2009
 AGENCY SERIES: PTS-3660I
 PART #: ASY-0400-INT48-DTR-AT



CUSTOMER SERVICE
 Order and delivery assistance
 (916) 386-6174
 pcservice@teichert.com

ENGINEERING/TECHNICAL SERVICE
 Technical assistance and on site support
 (916) 386-6177
 pcengineering@teichert.com

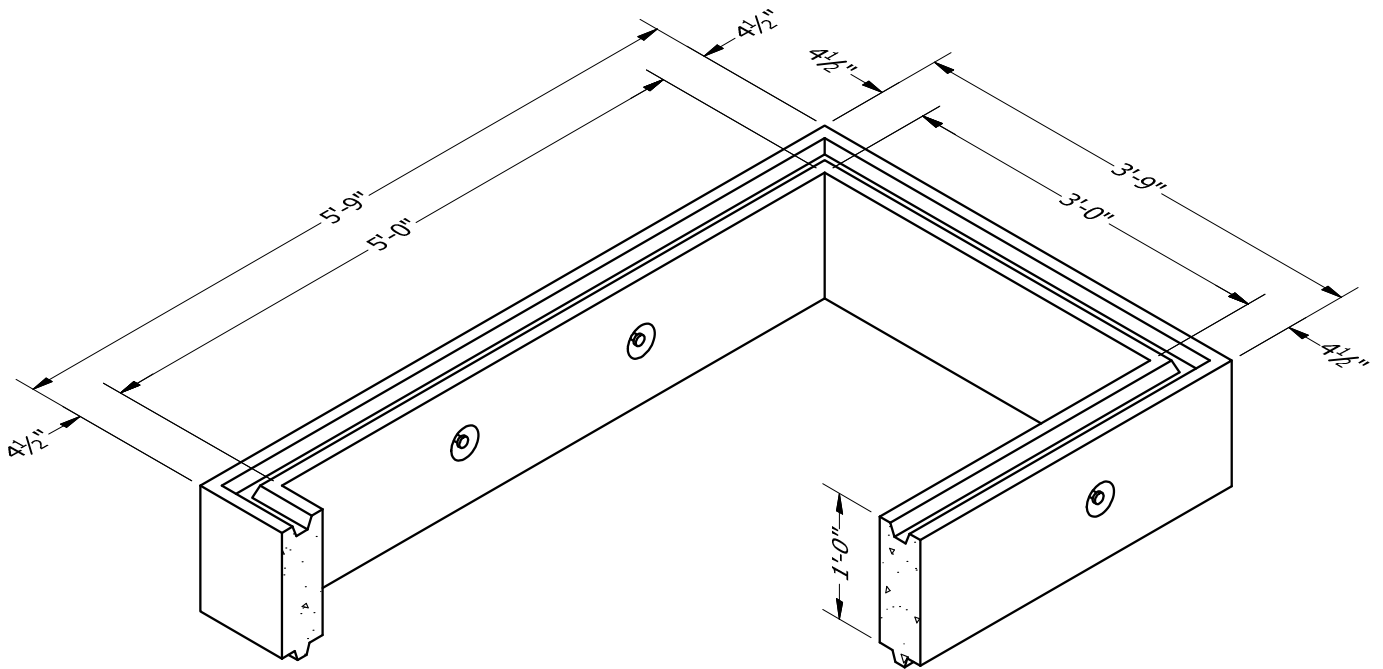
WEIGHT: 480 LBS



TEICHERT PRECAST PRODUCTS
 SACRAMENTO · STOCKTON
WWW.TEICHERTPRECASTPRODUCTS.COM
 8180 SIGNAL COURT SACRAMENTO, CA 95824 2441 W. CHARTER WAY STOCKTON, CA 95206
 PHONE: (916) 386-6174 FAX: (916) 386-8823 PHONE: (209) 464-7696 FAX: (209) 464-6822

3'-0" x 5'-0" x 6"
 AT&T SUB-SURFACE ENCLOSURE
 EXTENSION

ISSUE DATE:	1/5/2009
AGENCY SERIES:	35-06
PART #:	0400-E06



CUSTOMER SERVICE
 Order and delivery assistance
 (916) 386-6174
 pcservice@teichert.com

ENGINEERING/TECHNICAL SERVICE
 Technical assistance and on site support
 (916) 386-6177
 pcengineering@teichert.com

WEIGHT: 975 LBS



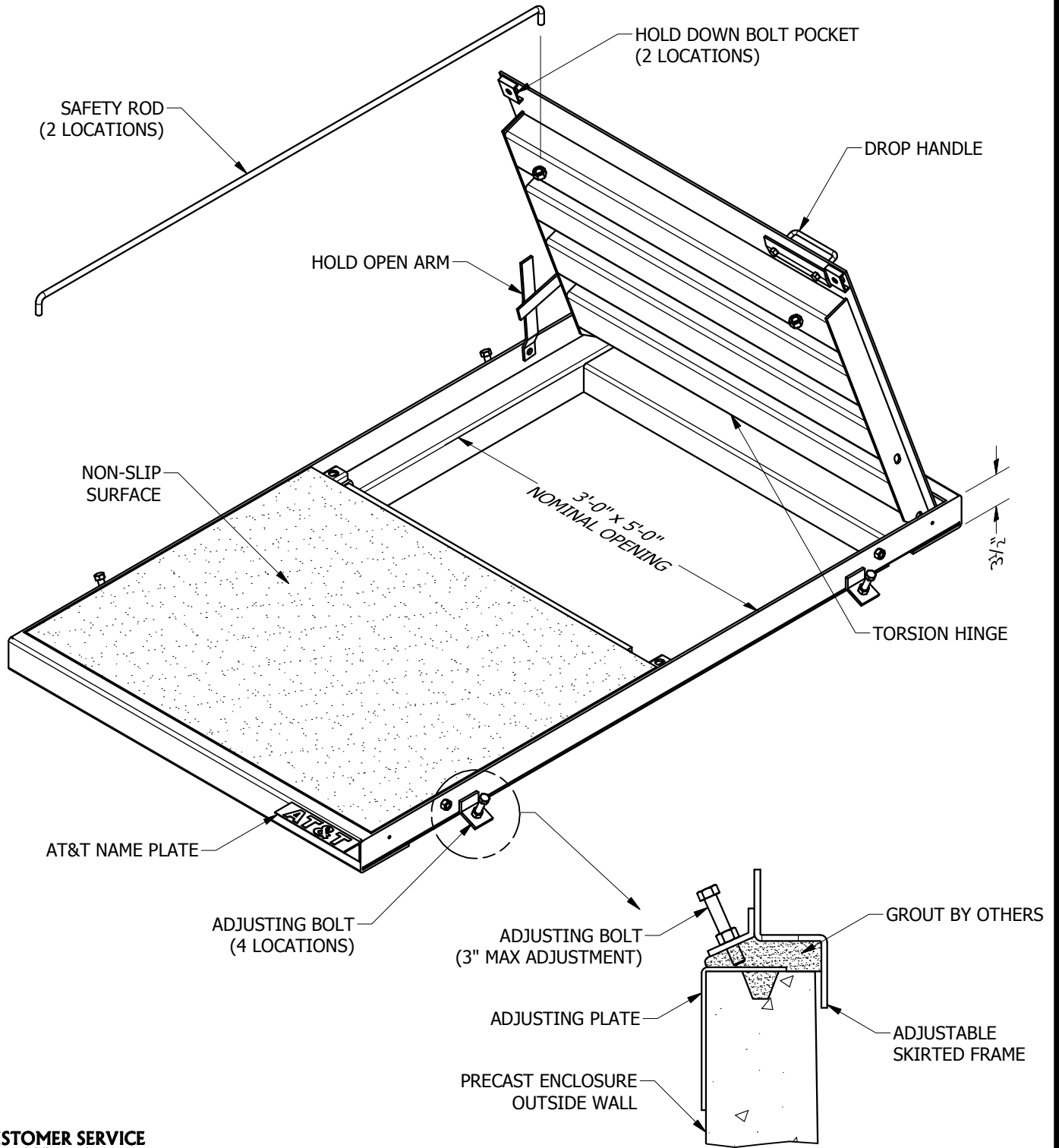
TEICHERT PRECAST PRODUCTS
 SACRAMENTO · STOCKTON
WWW.TEICHERTPRECASTPRODUCTS.COM

8180 SIGNAL COURT SACRAMENTO, CA 95824
 PHONE: (916) 386-6174 FAX: (916) 386-8823

2441 W. CHARTER WAY STOCKTON, CA 95206
 PHONE: (209) 464-7696 FAX: (209) 464-6822

3'-0" x 5'-0" x 12"
 AT&T SUB-SURFACE ENCLOSURE
 EXTENSION

ISSUE DATE:	1/5/2009
AGENCY SERIES:	35-12
PART #:	0400-E12



SKIRTED STYLE HATCH MOUNTING DETAIL

WEIGHT: 380 LBS

CUSTOMER SERVICE
 Order and delivery assistance
 (916) 386-6174
 pcservice@teichert.com

ENGINEERING/TECHNICAL SERVICE
 Technical assistance and on site support
 (916) 386-6177
 pceengineering@teichert.com



TEICHERT PRECAST PRODUCTS
 SACRAMENTO · STOCKTON
 WWW.TEICHERTPRECASTPRODUCTS.COM

8180 SIGNAL COURT SACRAMENTO, CA 95824
 PHONE: (916) 386-6174 FAX: (916) 386-8823

2441 W. CHARTER WAY STOCKTON, CA 95206
 PHONE: (209) 464-7696 FAX: (209) 464-6822

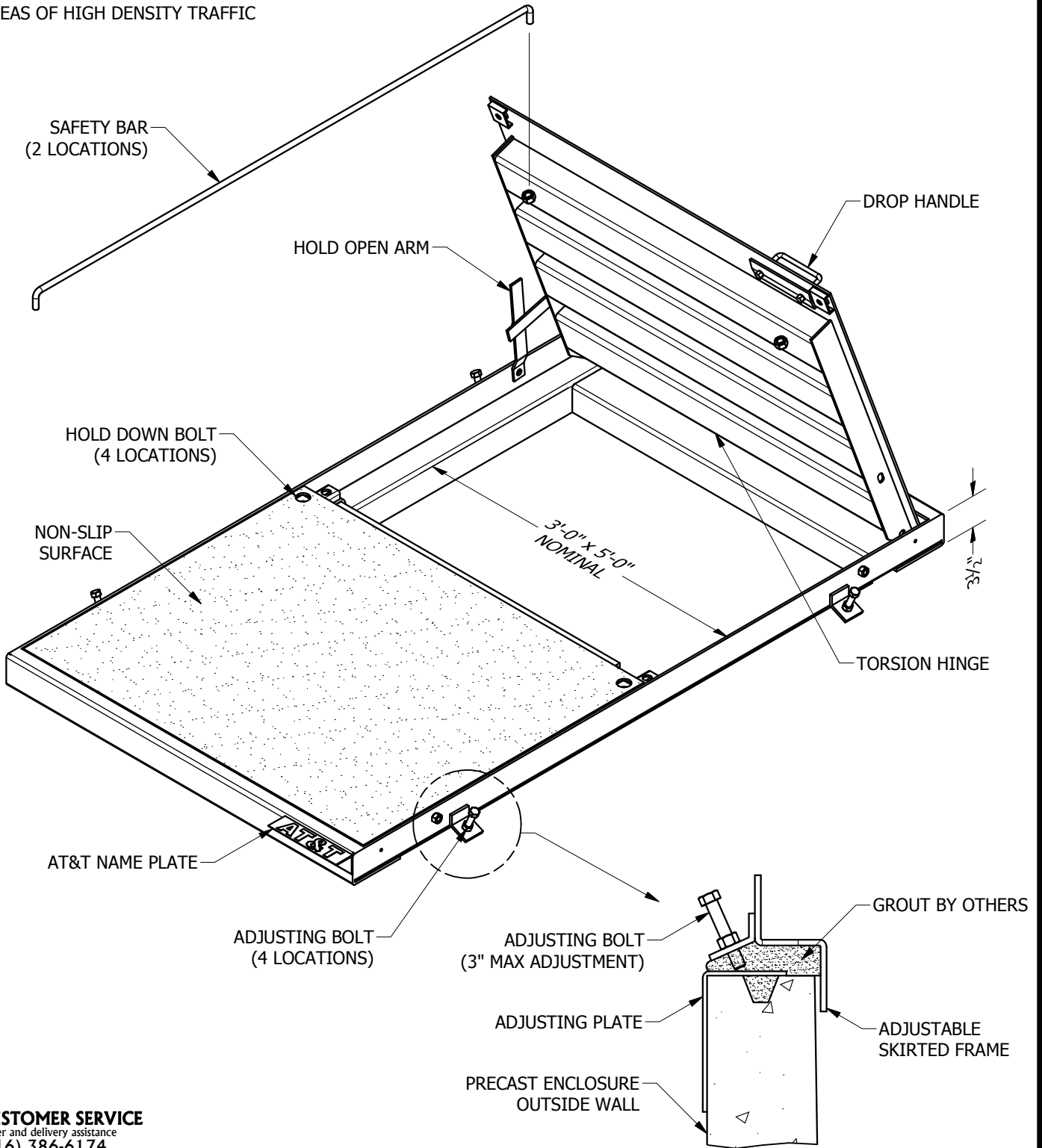
3'-0" x 5'-0" (ID) ACCESS COVER
 PEDESTRIAN RATED HINGED
 DOUBLE LEAF NON-SLIP
 ADJUSTABLE SKIRTED STYLE FRAME

ISSUE DATE: 1/5/2009

AGENCY SERIES: PTS-3660

PART #: 0400-SHC-PRNS-AT

NOTE:
COVERS NOT INTENDED FOR USE IN
AREAS OF HIGH DENSITY TRAFFIC



SKIRTED STYLE HATCH
MOUNTING DETAIL

WEIGHT: 445 LBS

CUSTOMER SERVICE
Order and delivery assistance
(916) 386-6174
pcservice@teichert.com

ENGINEERING/TECHNICAL SERVICE
Technical assistance and on site support
(916) 386-6177
pcengineering@teichert.com



TEICHERT PRECAST PRODUCTS
SACRAMENTO · STOCKTON
WWW.TEICHERTPRECASTPRODUCTS.COM

8180 SIGNAL COURT SACRAMENTO, CA 95824
PHONE: (916) 386-6174 FAX: (916) 386-8823

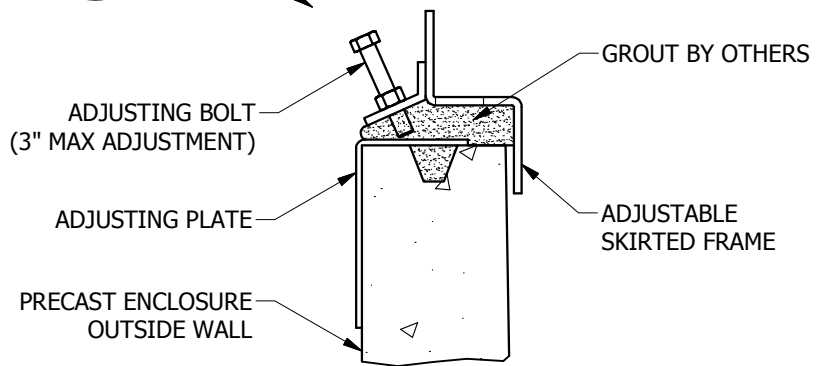
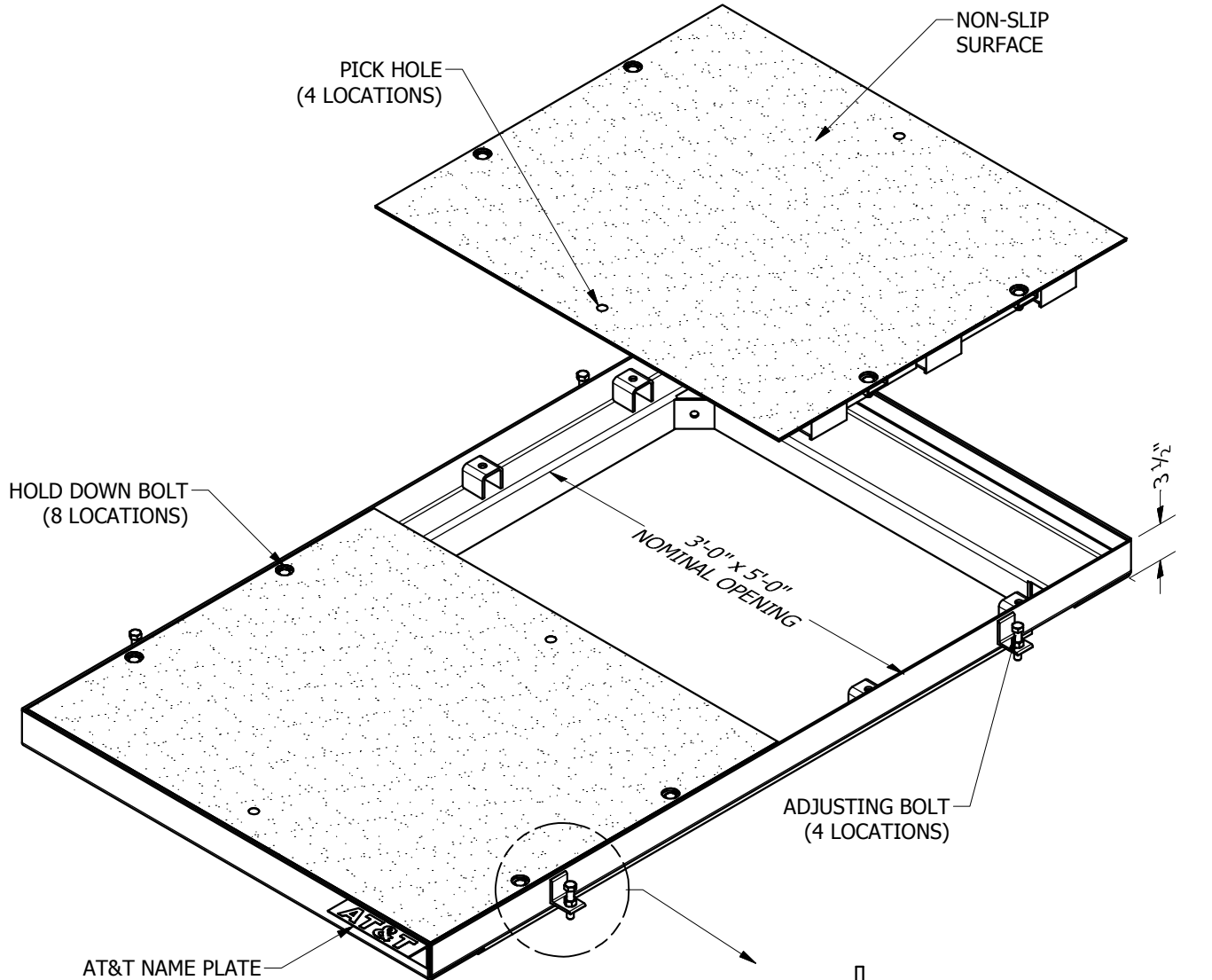
2441 W. CHARTER WAY STOCKTON, CA 95206
PHONE: (209) 464-7696 FAX: (209) 464-6822

3'-0" x 5'-0" (ID) ACCESS COVER
TRAFFIC RATED HINGED
DOUBLE LEAF NON-SLIP
ADJUSTABLE SKIRTED STYLE FRAME

ISSUE DATE: 1/5/2009

AGENCY SERIES: PTS-3660

PART #: 0400-SHC-TRNS-AT



**SKIRTED STYLE HATCH
MOUNTING DETAIL**

WEIGHT: 395 LBS

CUSTOMER SERVICE
Order and delivery assistance
(916) 386-6174
pcservice@teichert.com

ENGINEERING/TECHNICAL SERVICE
Technical assistance and on site support
(916) 386-6177
pcengineering@teichert.com



TEICHERT PRECAST PRODUCTS
SACRAMENTO · STOCKTON
WWW.TEICHERTPRECASTPRODUCTS.COM

8180 SIGNAL COURT SACRAMENTO, CA 95824 2441 W. CHARTER WAY STOCKTON, CA 95206
PHONE: (916) 386-6174 FAX: (916) 386-8823 PHONE: (209) 464-7696 FAX: (209) 464-6822

3'-0" x 5'-0" (ID) ACCESS COVER
PEDESTRIAN RATED
BOLT DOWN / DRAG OFF NON-SLIP
ADJUSTABLE SKIRTED STYLE FRAME

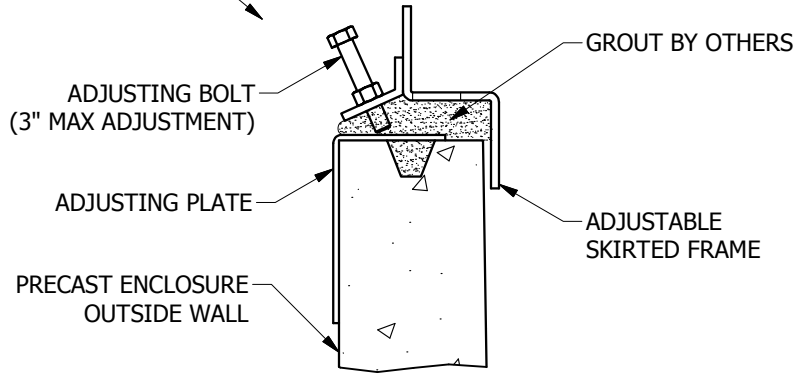
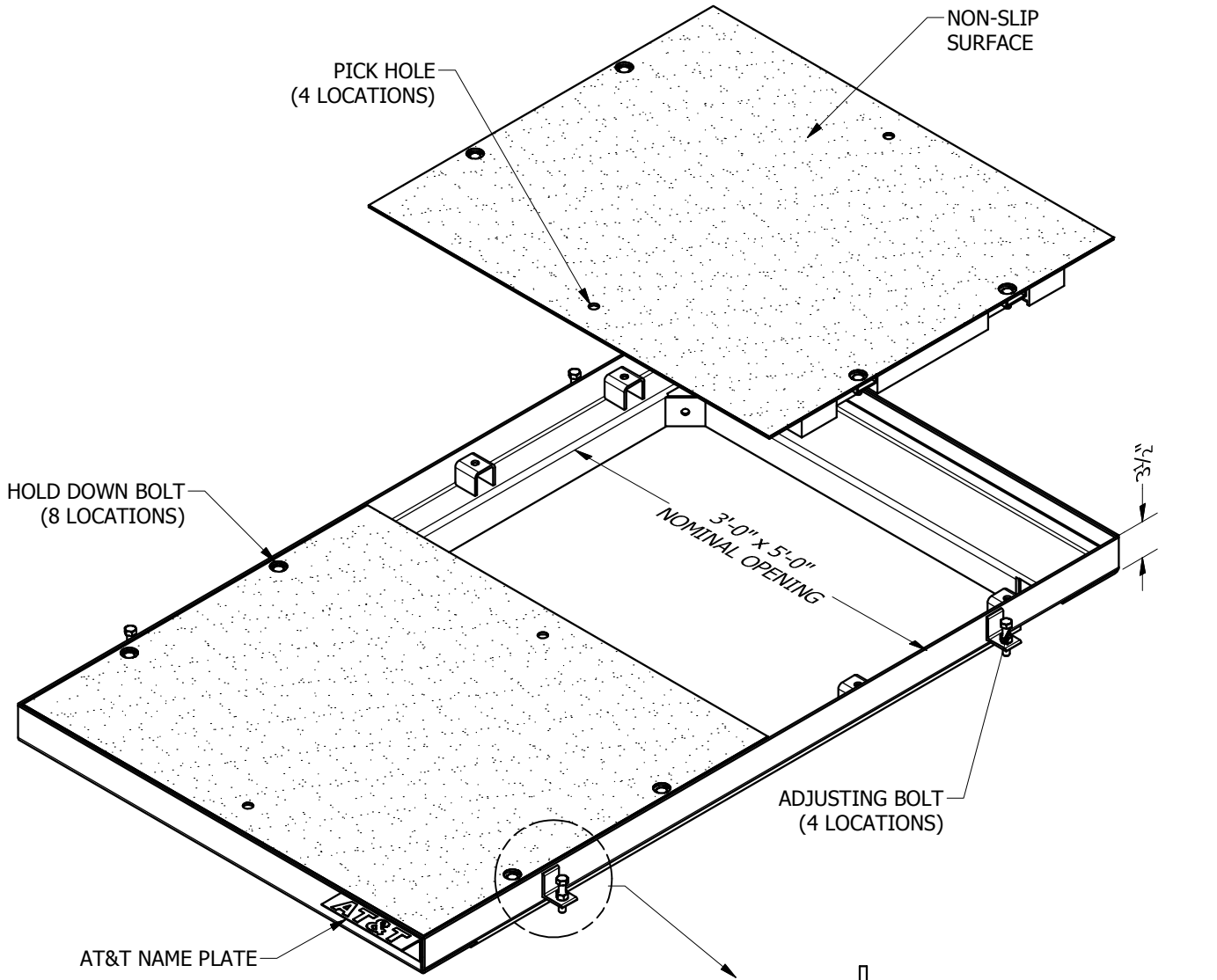
ISSUE DATE: 1/5/2009

AGENCY SERIES: PTS-3660

PART #: 0400-SDC-PRNS-AT

NOTE:
COVERS NOT INTENDED FOR USE IN
AREAS OF HIGH DENSITY TRAFFIC

AT&T PID: 000600361



SKIRTED STYLE HATCH
MOUNTING DETAIL

WEIGHT: 450 LBS

CUSTOMER SERVICE
Order and delivery assistance
(916) 386-6174
pcservice@teichert.com

ENGINEERING/TECHNICAL SERVICE
Technical assistance and on site support
(916) 386-6177
pcengineering@teichert.com



TEICHERT PRECAST PRODUCTS
SACRAMENTO · STOCKTON
WWW.TEICHERTPRECASTPRODUCTS.COM
8180 SIGNAL COURT SACRAMENTO, CA 95824 2441 W. CHARTER WAY STOCKTON, CA 95206
PHONE: (916) 386-6174 FAX: (916) 386-8823 PHONE: (209) 464-7696 FAX: (209) 464-6822

3'-0" x 5'-0" (ID) ACCESS COVER
TRAFFIC RATED
BOLT DOWN / DRAG OFF NON-SLIP
ADJUSTABLE SKIRTED STYLE FRAME

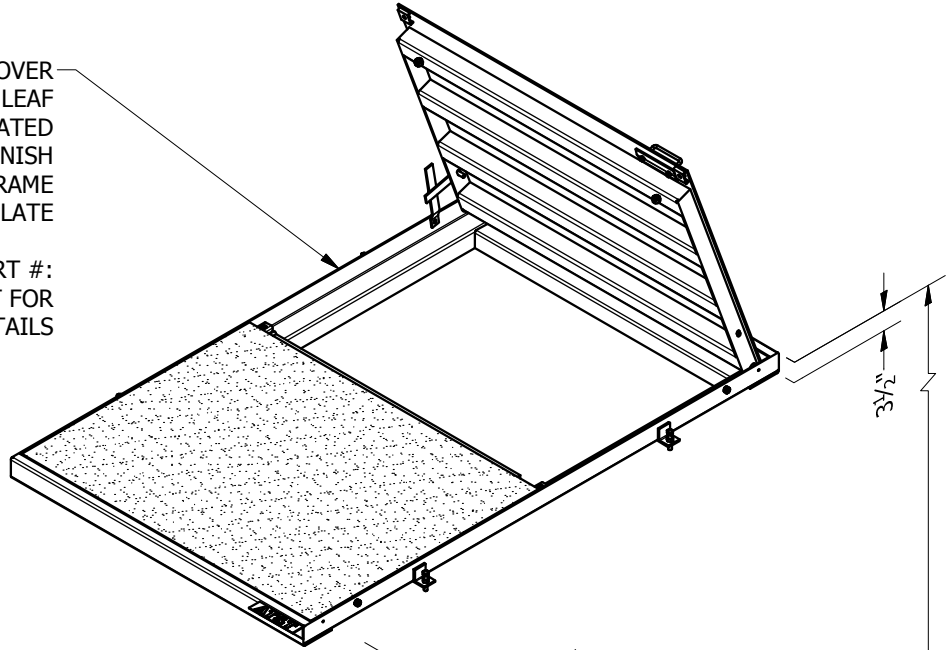
ISSUE DATE: 1/5/2009
AGENCY SERIES: PTS-3660
PART #: 0400-SDC-TRNS-AT

MATERIAL LIST

PART NUM	DESCRIPTION	WEIGHT (LBS)
0500-B48-R-AT	4'-0" x 6'-6" x 4'-0" BASE WITH RACKING - AT&T	9823
0500-SHC-PRNS-AT	TORSION HINGED NON-SLIP STEEL COVER - PEDESTRIAN	575

ACCESS COVER
 TORSION HINGED DOUBLE LEAF
 PEDESTRIAN RATED
 NON-SLIP COVER FINISH
 ADJUSTABLE SKIRTED STYLE FRAME
 AT&T NAME PLATE

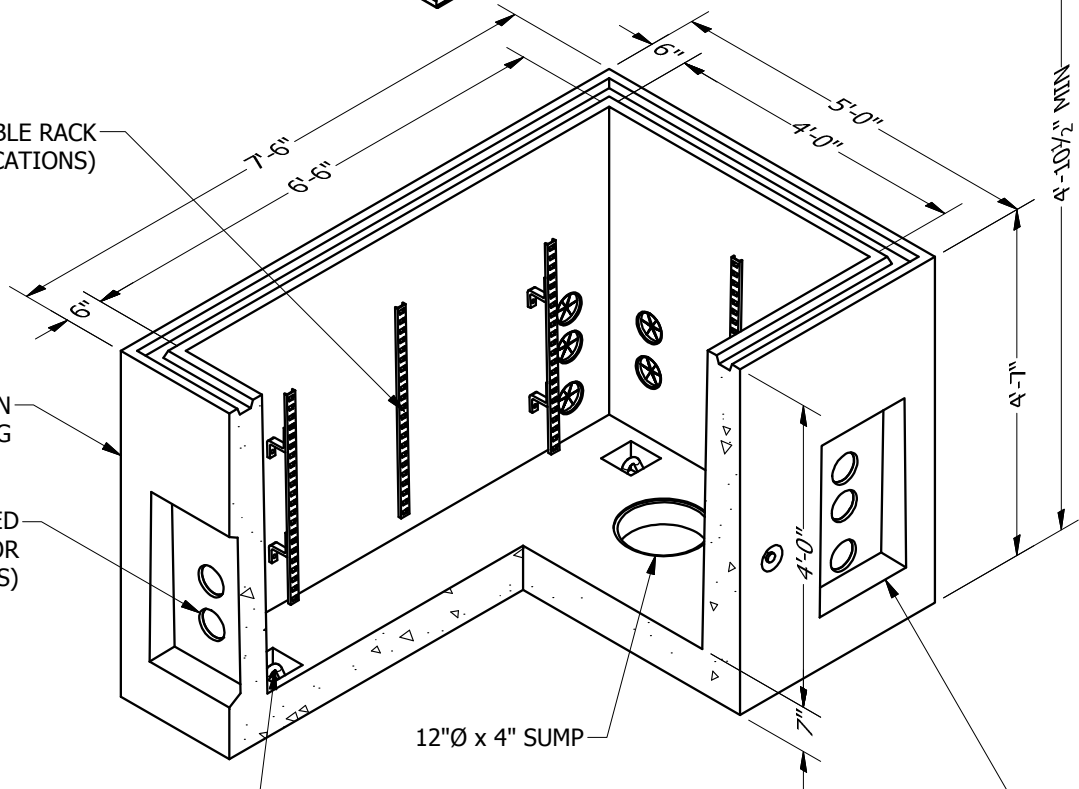
SEE DRAWING OF PART #:
 0500-SHC-PRNS-AT FOR
 ADDITIONAL COVER DETAILS



22 HOLE CABLE RACK
 (8 LOCATIONS)

BASE SECTION
 WITH RACKING

4.35"/4.5" STEPPED
 DUCT TERMINATOR
 (20 LOCATIONS)



PULL IRON
 (4 LOCATIONS)

12 1/2" x 24" TERMINATOR PAN
 (8 LOCATIONS)

CUSTOMER SERVICE
 Order and delivery assistance
 (916) 386-6174
 pcservice@teichert.com

ENGINEERING/TECHNICAL SERVICE
 Technical assistance and on site support
 (916) 386-6177
 pcengineering@teichert.com



TEICHERT PRECAST PRODUCTS
 SACRAMENTO · STOCKTON
 WWW.TEICHERTPRECASTPRODUCTS.COM

8180 SIGNAL COURT SACRAMENTO, CA 95824
 PHONE: (916) 386-6174 FAX: (916) 386-8823

2441 W. CHARTER WAY STOCKTON, CA 95206
 PHONE: (209) 464-7696 FAX: (209) 464-6822

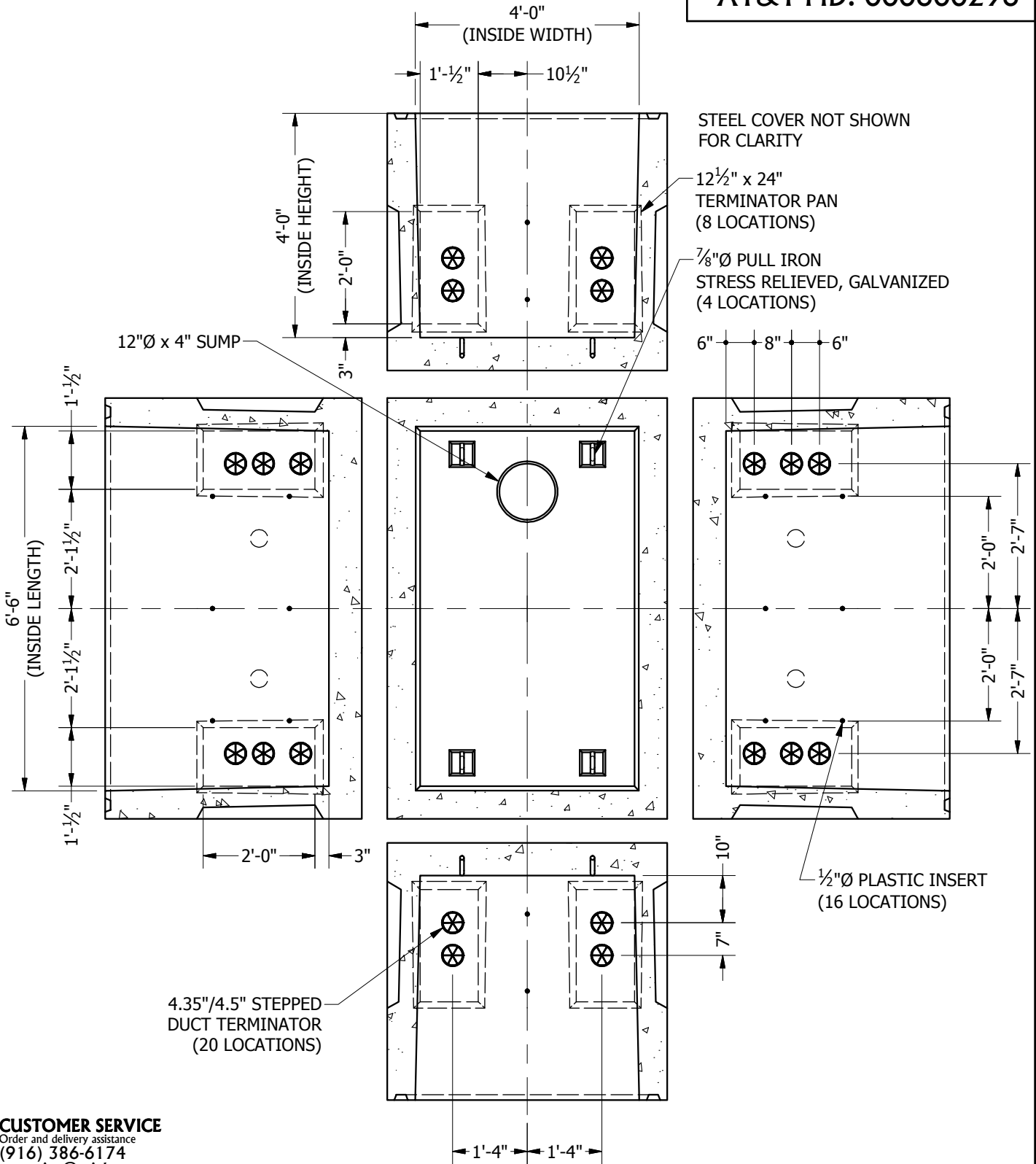
4'-0" x 6'-6" x 4'-0"
 AT&T SUB-SURFACE ENCLOSURE
 PEDESTRIAN RATED HINGED
 NON-SLIP COVER

ISSUE DATE: 1/5/2009

AGENCY SERIES: PTS-4878

PART #: ASY-0500-48-HPR-AT

AT&T PID: 000600296



CUSTOMER SERVICE
 Order and delivery assistance
 (916) 386-6174
 pcservice@teichert.com

ENGINEERING/TECHNICAL SERVICE
 Technical assistance and on site support
 (916) 386-6177
 pcengineering@teichert.com

**INSIDE FOLD OUT
 DETAILED VIEW**

TEICHERT PRECAST PRODUCTS
 SACRAMENTO · STOCKTON
 WWW.TEICHERTPRECASTPRODUCTS.COM

8180 SIGNAL COURT SACRAMENTO, CA 95824
 PHONE: (916) 386-6174 FAX: (916) 386-8823

2441 W. CHARTER WAY STOCKTON, CA 95206
 PHONE: (209) 464-7696 FAX: (209) 464-6822

4'-0" x 6'-6" x 4'-0"
 AT&T SUB-SURFACE ENCLOSURE
 PEDESTRIAN RATED HINGED
 NON-SLIP COVER

ISSUE DATE: 1/5/2009
 AGENCY SERIES: PTS-4878
 PART #: ASY-0500-48-HPR-AT

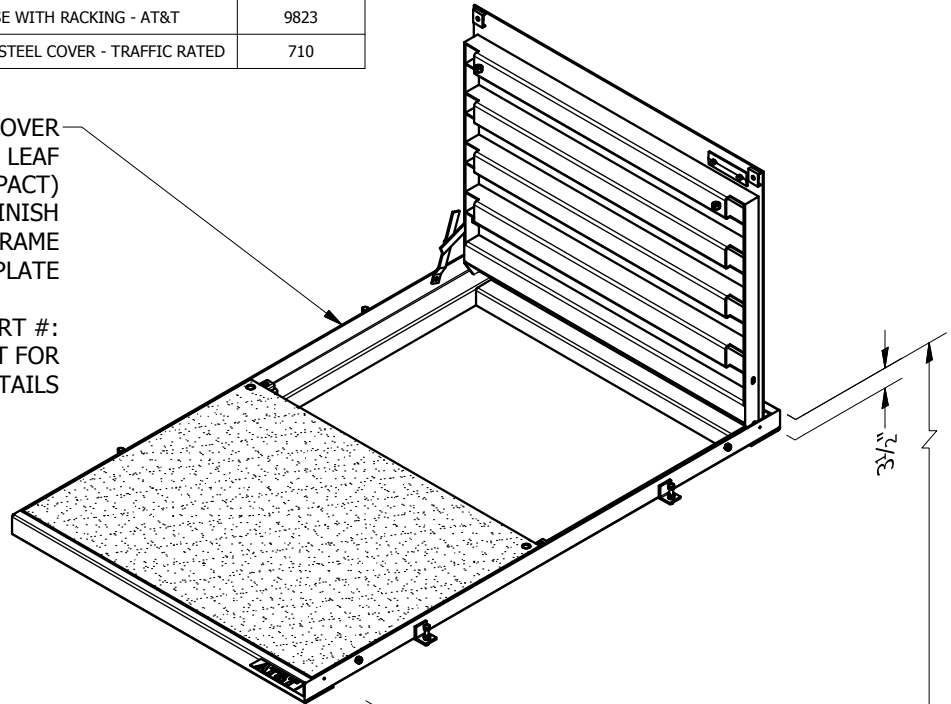
MATERIAL LIST

AT&T PID: 000600304

PART NUM	DESCRIPTION	WEIGHT (LBS)
0500-B48-R-AT	4'-0" x 6'-6" x 4'-0" BASE WITH RACKING - AT&T	9823
0500-SHC-TRNS-AT	TORSION HINGED NON-SLIP STEEL COVER - TRAFFIC RATED	710

ACCESS COVER
TORSION HINGED DOUBLE LEAF
H-20 TRAFFIC RATED (NON IMPACT)
NON-SLIP COVER FINISH
ADJUSTABLE SKIRTED STYLE FRAME
AT&T NAME PLATE

SEE DRAWING OF PART #:
0500-SHC-TRNS-AT FOR
ADDITIONAL COVER DETAILS



22 HOLE CABLE RACK
(8 LOCATIONS)

BASE SECTION
WITH RACKING

4.35"/4.5" STEPPED
DUCT TERMINATOR
(20 LOCATIONS)

PULL IRON
(4 LOCATIONS)

12"Ø x 4" SUMP

12 1/2" x 24" TERMINATOR PAN
(8 LOCATIONS)

CUSTOMER SERVICE
Order and delivery assistance
(916) 386-6174
pcservice@teichert.com

ENGINEERING/TECHNICAL SERVICE
Technical assistance and on site support
(916) 386-6177
pcengineering@teichert.com



TEICHERT PRECAST PRODUCTS
SACRAMENTO · STOCKTON
WWW.TEICHERTPRECASTPRODUCTS.COM

8180 SIGNAL COURT SACRAMENTO, CA 95824
PHONE: (916) 386-6174 FAX: (916) 386-8823

2441 W. CHARTER WAY STOCKTON, CA 95206
PHONE: (209) 464-7696 FAX: (209) 464-6822

4'-0" x 6'-6" x 4'-0"
AT&T SUB-SURFACE ENCLOSURE
TRAFFIC RATED HINGED
NON-SLIP COVER

ISSUE DATE:

1/5/2009

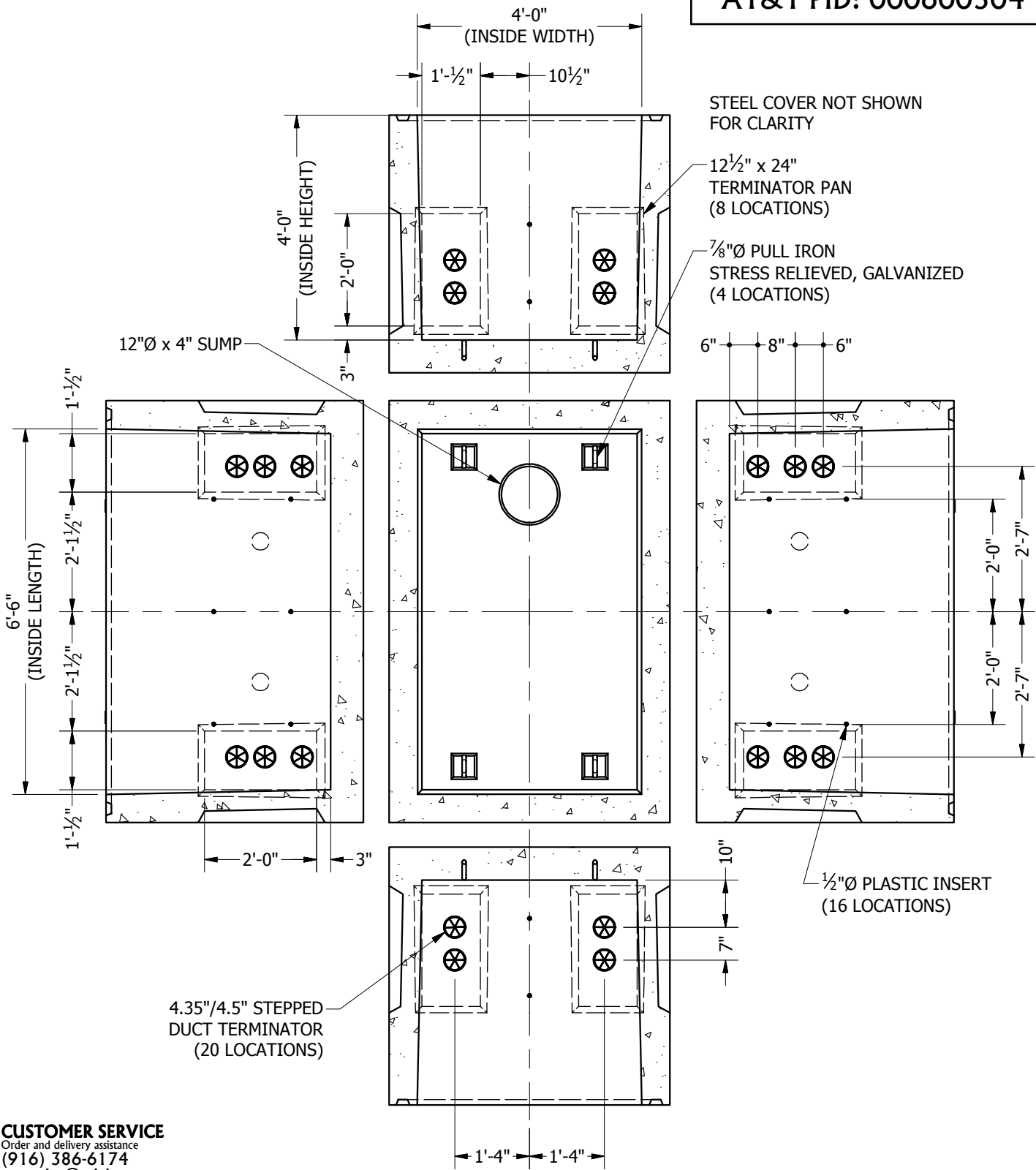
AGENCY SERIES:

PTS-4878

PART #:

ASY-0500-48-HTR-AT

AT&T PID: 000600304



CUSTOMER SERVICE
 Order and delivery assistance
 (916) 386-6174
 pcservice@teichert.com

ENGINEERING/TECHNICAL SERVICE
 Technical assistance and on site support
 (916) 386-6177
 pcengineering@teichert.com

**INSIDE FOLD OUT
 DETAILED VIEW**



TEICHERT PRECAST PRODUCTS
 SACRAMENTO · STOCKTON
 WWW.TEICHERTPRECASTPRODUCTS.COM

8180 SIGNAL COURT SACRAMENTO, CA 95824 2441 W. CHARTER WAY STOCKTON, CA 95206
 PHONE: (916) 386-6174 FAX: (916) 386-8823 PHONE: (209) 464-7696 FAX: (209) 464-6822

4'-0" x 6'-6" x 4'-0"
 AT&T SUB-SURFACE ENCLOSURE
 TRAFFIC RATED HINGED
 NON-SLIP COVER

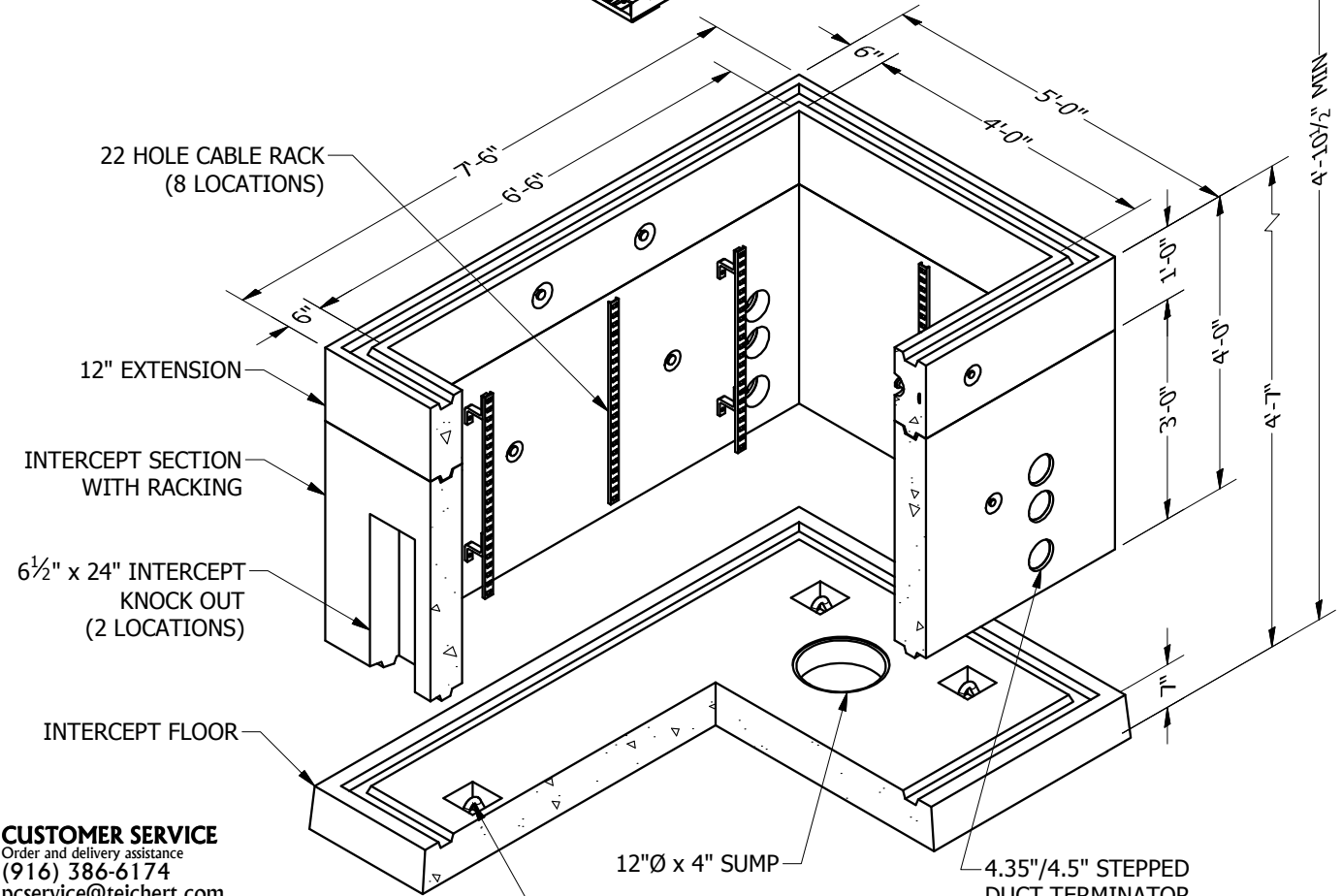
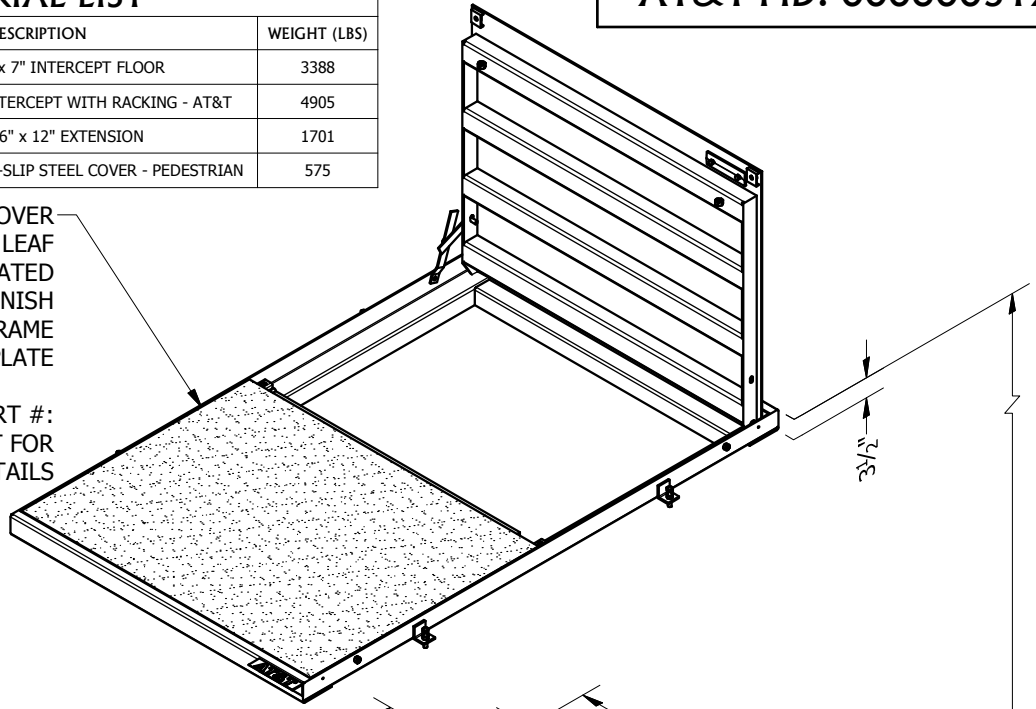
ISSUE DATE: 1/5/2009
 AGENCY SERIES: PTS-4878
 PART #: ASY-0500-48-HTR-AT

MATERIAL LIST

PART NUM	DESCRIPTION	WEIGHT (LBS)
0500-F	4'-0" x 6'-6" x 7" INTERCEPT FLOOR	3388
0500-INT36-R-AT	4'-0" x 6'-6" x 3'-0" INTERCEPT WITH RACKING - AT&T	4905
0500-E12	4'-0" x 6'-6" x 12" EXTENSION	1701
0500-SHC-PRNS-AT	TORSION HINGED NON-SLIP STEEL COVER - PEDESTRIAN	575

ACCESS COVER
 TORSION HINGED DOUBLE LEAF
 PEDESTRIAN RATED
 NON-SLIP COVER FINISH
 ADJUSTABLE SKIRTED STYLE FRAME
 AT&T NAME PLATE

SEE DRAWING OF PART #:
 0500-SHC-PRNS-AT FOR
 ADDITIONAL COVER DETAILS



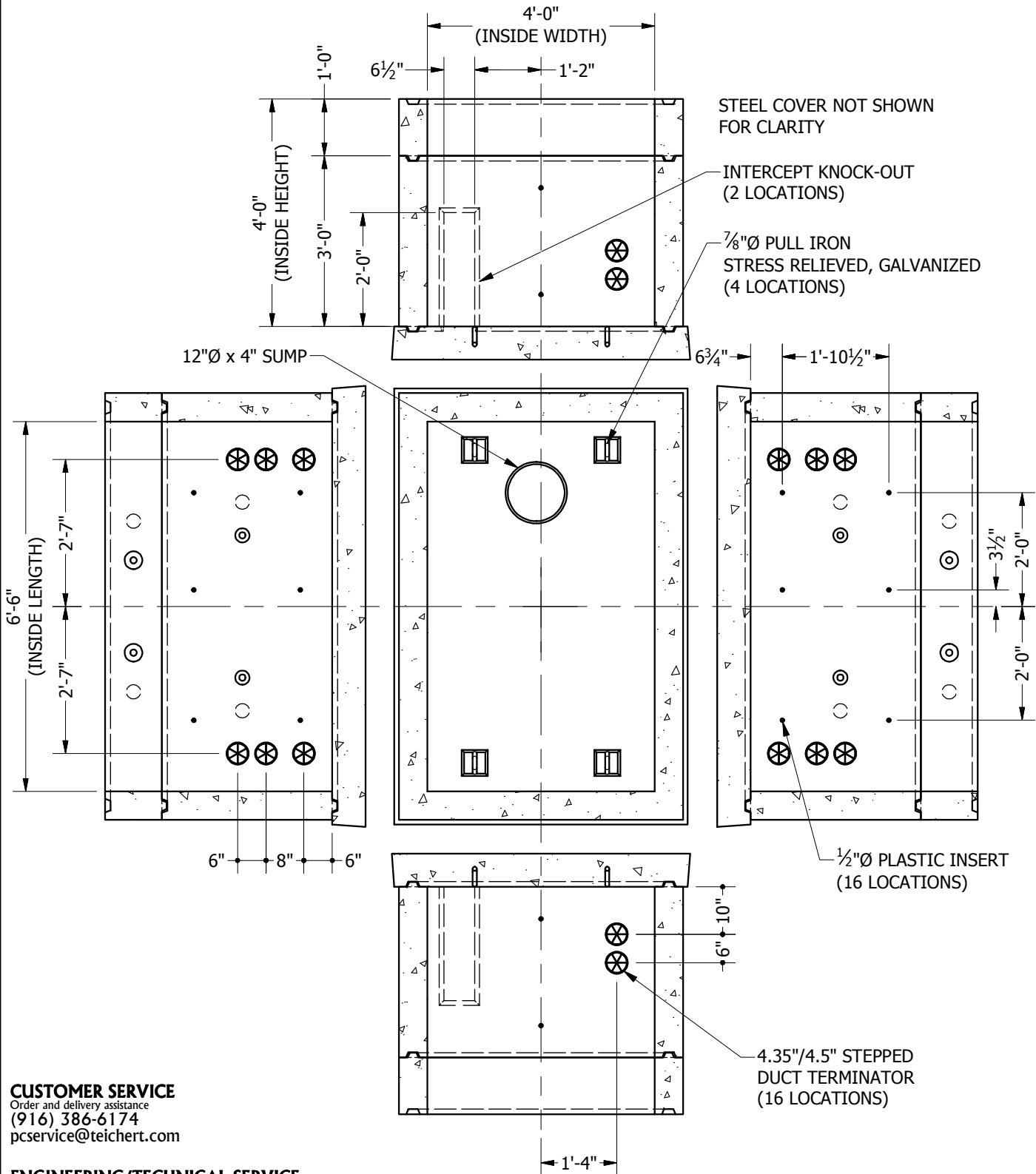
CUSTOMER SERVICE
 Order and delivery assistance
 (916) 386-6174
 pcservice@teichert.com

ENGINEERING/TECHNICAL SERVICE
 Technical assistance and on site support
 (916) 386-6177
 pcengineering@teichert.com

TEICHERT PRECAST PRODUCTS
 SACRAMENTO · STOCKTON
 WWW.TEICHERTPRECASTPRODUCTS.COM
 8180 SIGNAL COURT SACRAMENTO, CA 95824
 PHONE: (916) 386-6174 FAX: (916) 386-8823
 2441 W. CHARTER WAY STOCKTON, CA 95206
 PHONE: (209) 464-7696 FAX: (209) 464-6822

4'-0" x 6'-6" x 4'-0" INTERCEPT
 AT&T SUB-SURFACE ENCLOSURE
 PEDESTRIAN RATED HINGED
 NON-SLIP COVER

ISSUE DATE: 1/5/2009
 AGENCY SERIES: PTS-48781
 PART #: ASY-0500-INT48-HPR-AT



CUSTOMER SERVICE

Order and delivery assistance
(916) 386-6174
pcservice@teichert.com

ENGINEERING/TECHNICAL SERVICE

Technical assistance and on site support
(916) 386-6177
pcengineering@teichert.com



8180 SIGNAL COURT SACRAMENTO, CA 95824 2441 W. CHARTER WAY STOCKTON, CA 95206
PHONE: (916) 386-6174 FAX: (916) 386-8823 PHONE: (209) 464-7696 FAX: (209) 464-6822

4'-0" x 6'-6" x 4'-0" INTERCEPT
AT&T SUB-SURFACE ENCLOSURE
PEDESTRIAN RATED HINGED
NON-SLIP COVER

ISSUE DATE:

1/5/2009

AGENCY SERIES:

PTS-4878I

PART #:

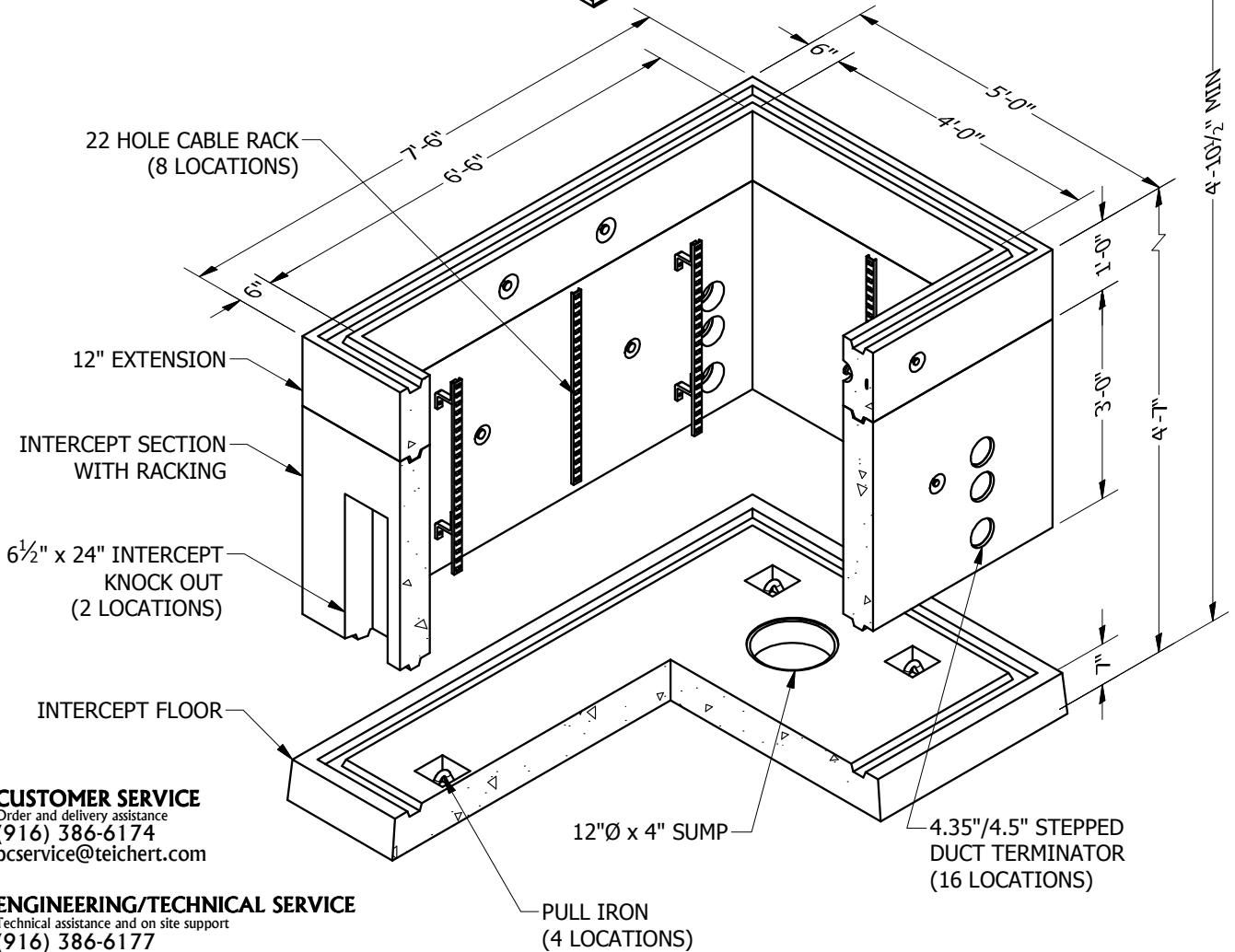
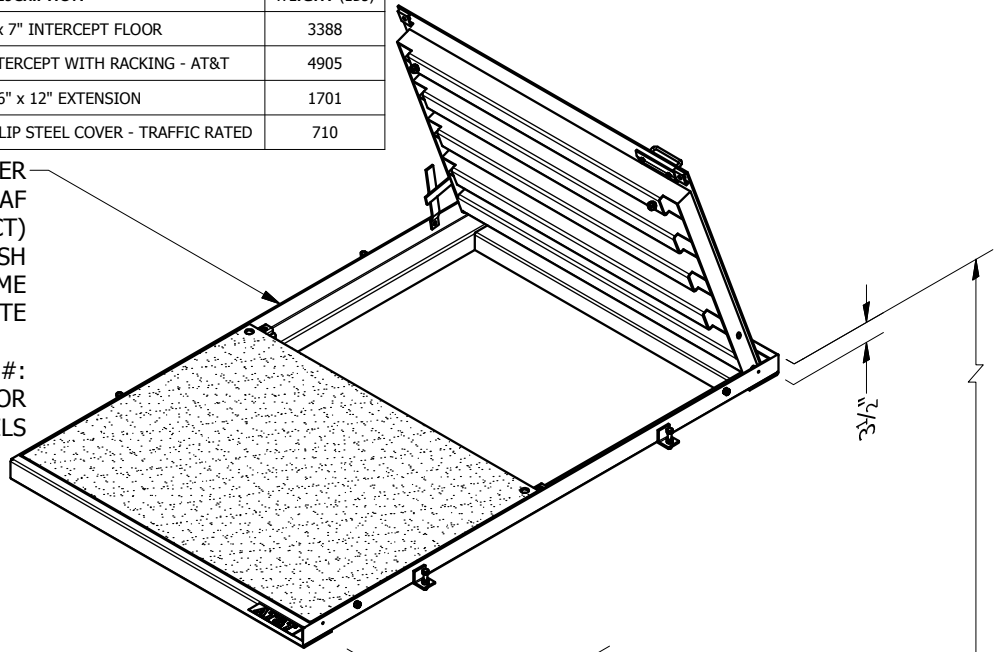
ASY-0500-INT48-HPR-AT

MATERIAL LIST

PART NUM	DESCRIPTION	WEIGHT (LBS)
0500-F	4'-0" x 6'-6" x 7" INTERCEPT FLOOR	3388
0500-INT36-R-AT	4'-0" x 6'-6" x 3'-0" INTERCEPT WITH RACKING - AT&T	4905
0500-E12	4'-0" x 6'-6" x 12" EXTENSION	1701
0500-SHC-TRNS-AT	TORSION HINGED NON-SLIP STEEL COVER - TRAFFIC RATED	710

ACCESS COVER
 TORSION HINGED DOUBLE LEAF
 H-20 TRAFFIC RATED (NON IMPACT)
 NON-SLIP COVER FINISH
 ADJUSTABLE SKIRTED STYLE FRAME
 AT&T NAME PLATE

SEE DRAWING OF PART #:
 0500-SHC-TRNS-AT FOR
 ADDITIONAL COVER DETAILS



CUSTOMER SERVICE
 Order and delivery assistance
 (916) 386-6174
 pcservice@teichert.com

ENGINEERING/TECHNICAL SERVICE
 Technical assistance and on site support
 (916) 386-6177
 pcengineering@teichert.com



TEICHERT PRECAST PRODUCTS
 SACRAMENTO · STOCKTON
WWW.TEICHERTPRECASTPRODUCTS.COM

8180 SIGNAL COURT SACRAMENTO, CA 95824
 PHONE: (916) 386-6174 FAX: (916) 386-8823

2441 W. CHARTER WAY STOCKTON, CA 95206
 PHONE: (209) 464-7696 FAX: (209) 464-6822

4'-0" x 6'-6" x 4'-0" INTERCEPT
 AT&T SUB-SURFACE ENCLOSURE
 TRAFFIC RATED HINGED
 NON-SLIP COVER

ISSUE DATE:

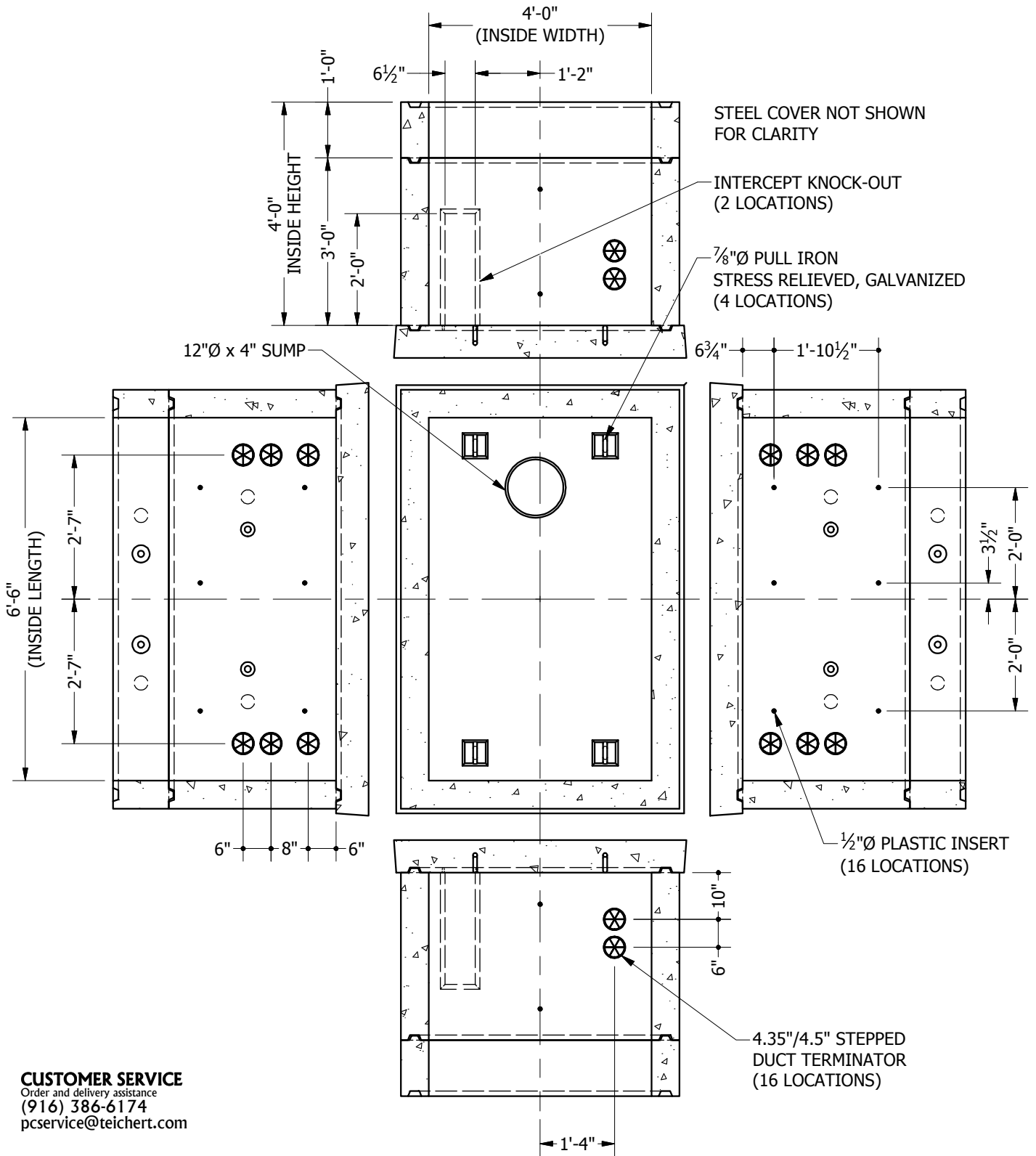
1/5/2009

AGENCY SERIES:

PTS-48781

PART #:

ASY-0500-INT48-HTR-AT



CUSTOMER SERVICE
 Order and delivery assistance
 (916) 386-6174
 pcservice@teichert.com

ENGINEERING/TECHNICAL SERVICE
 Technical assistance and on site support
 (916) 386-6177
 pcengineering@teichert.com



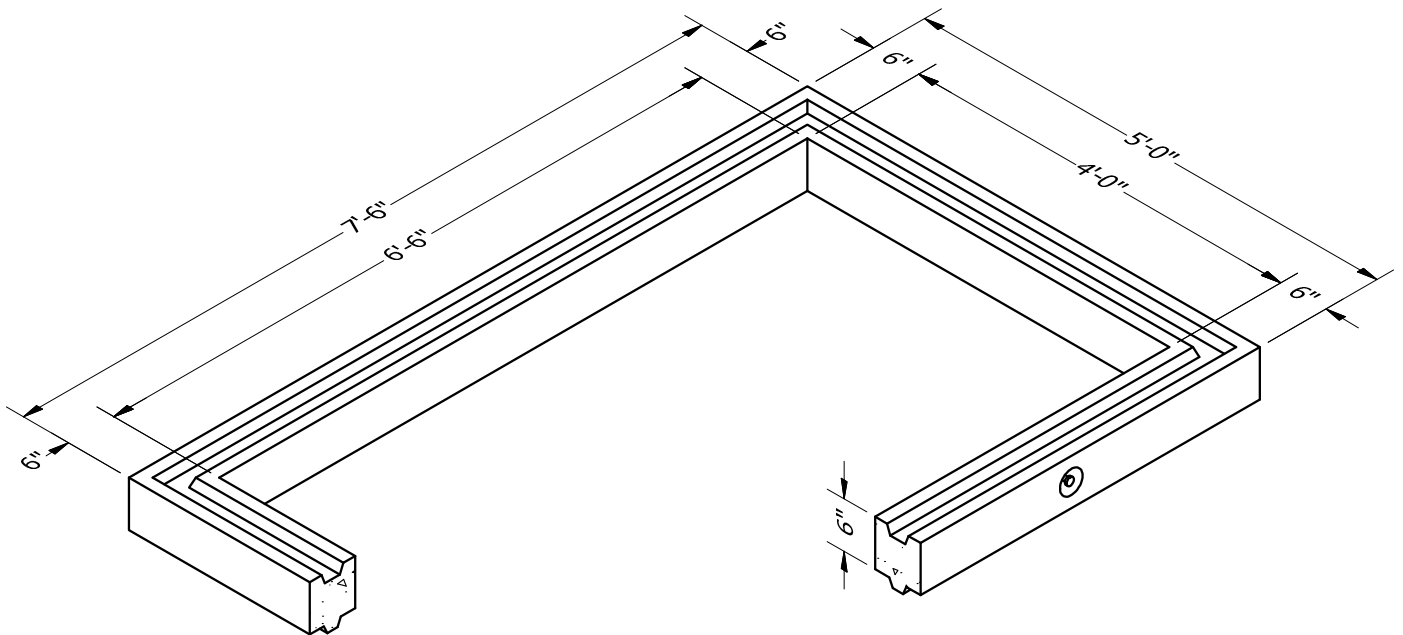
TEICHERT PRECAST PRODUCTS
 SACRAMENTO · STOCKTON
 WWW.TEICHERTPRECASTPRODUCTS.COM

8180 SIGNAL COURT SACRAMENTO, CA 95824
 PHONE: (916) 386-6174 FAX: (916) 386-8823

2441 W. CHARTER WAY STOCKTON, CA 95206
 PHONE: (209) 464-7696 FAX: (209) 464-6822

4'-0" x 6'-6" x 4'-0" INTERCEPT
 AT&T SUB-SURFACE ENCLOSURE
 TRAFFIC RATED HINGED
 NON-SLIP COVER

ISSUE DATE: 1/5/2009
 AGENCY SERIES: PTS-48781
 PART #: ASY-0500-INT48-HTR-AT



CUSTOMER SERVICE
 Order and delivery assistance
 (916) 386-6174
 pcservice@teichert.com

ENGINEERING/TECHNICAL SERVICE
 Technical assistance and on site support
 (916) 386-6177
 pcengineering@teichert.com

WEIGHT: 840 LBS



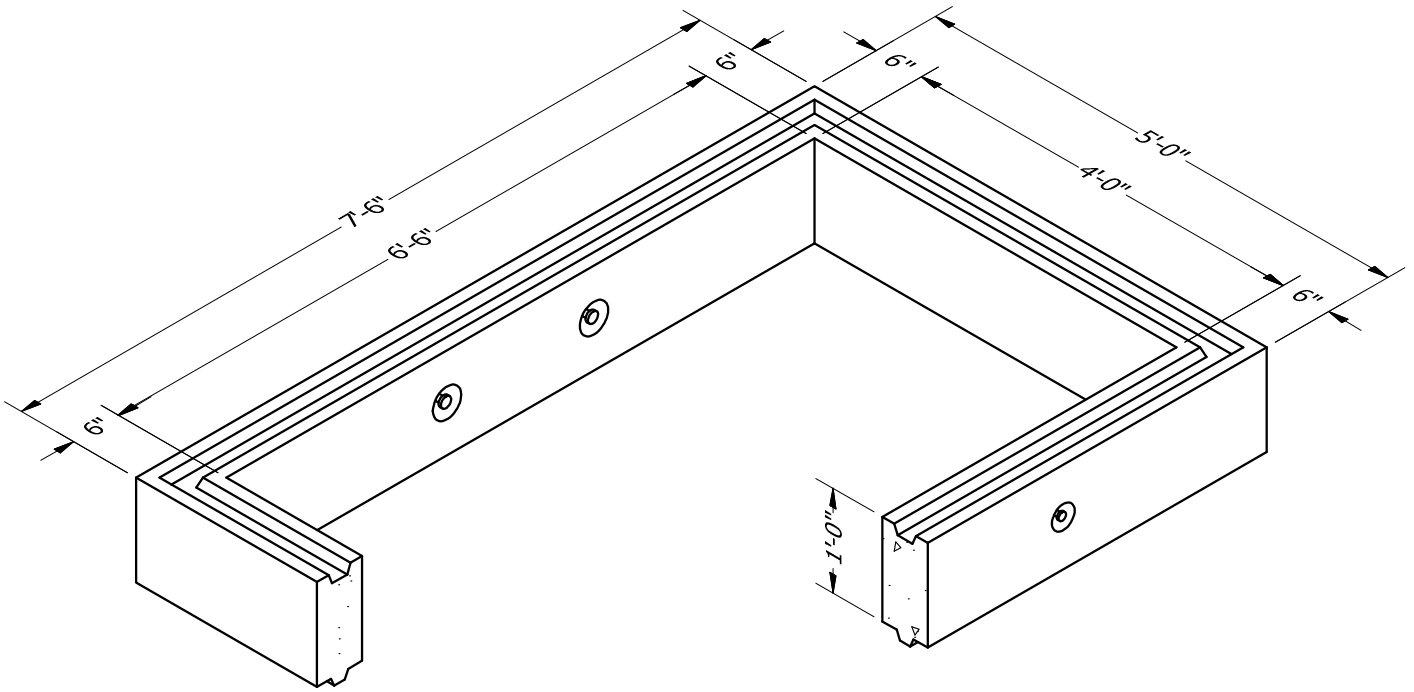
TEICHERT PRECAST PRODUCTS
 SACRAMENTO · STOCKTON
 WWW.TEICHERTPRECASTPRODUCTS.COM

8180 SIGNAL COURT SACRAMENTO, CA 95824
 PHONE: (916) 386-6174 FAX: (916) 386-8823

2441 W. CHARTER WAY STOCKTON, CA 95206
 PHONE: (209) 464-7696 FAX: (209) 464-6822

4'-0" x 6'-6" x 6"
 AT&T SUB-SURFACE ENCLOSURE
 EXTENSION

ISSUE DATE:	1/5/2009
AGENCY SERIES:	4878-06
PART #:	0500-E06



CUSTOMER SERVICE
 Order and delivery assistance
 (916) 386-6174
 pcservice@teichert.com

ENGINEERING/TECHNICAL SERVICE
 Technical assistance and on site support
 (916) 386-6177
 pceengineering@teichert.com

WEIGHT: 1705 LBS



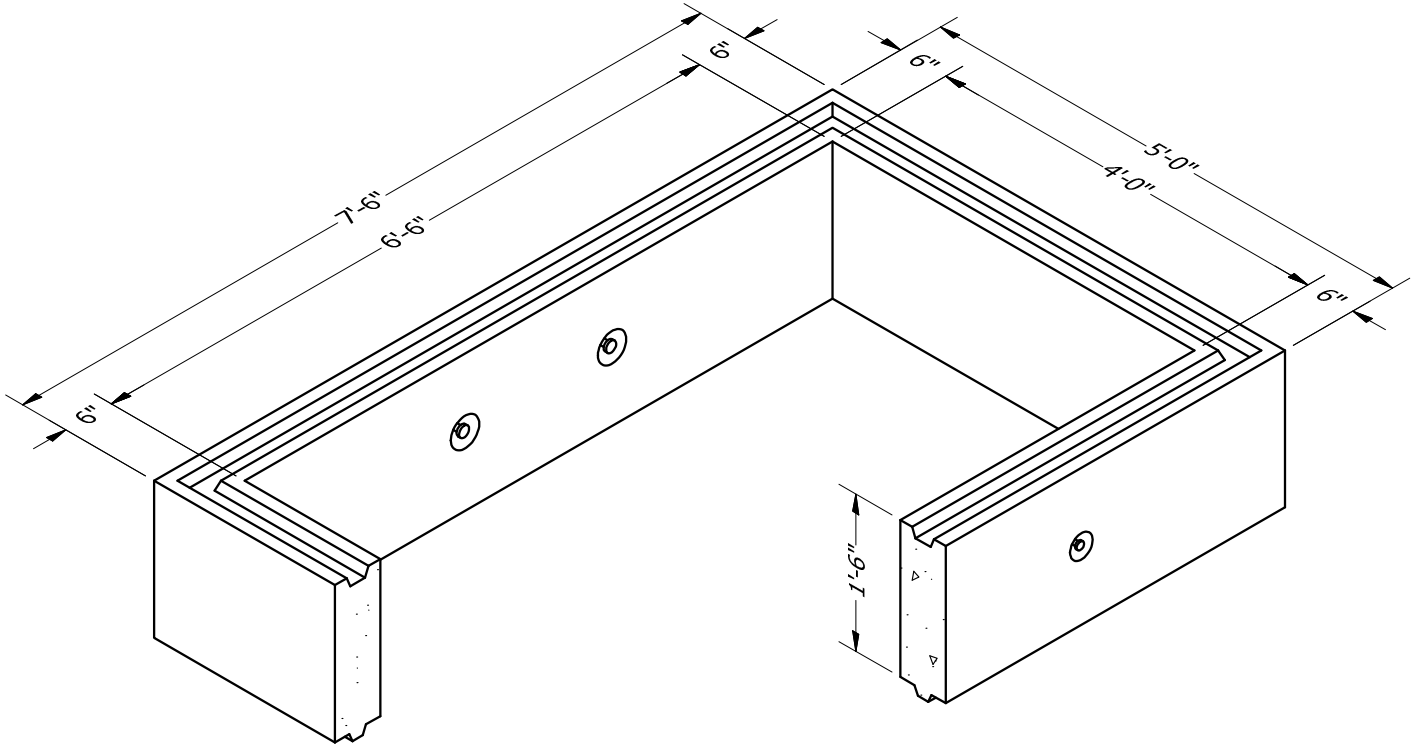
TEICHERT PRECAST PRODUCTS
 SACRAMENTO · STOCKTON
WWW.TEICHERTPRECASTPRODUCTS.COM

8180 SIGNAL COURT SACRAMENTO, CA 95824
 PHONE: (916) 386-6174 FAX: (916) 386-8823

2441 W. CHARTER WAY STOCKTON, CA 95206
 PHONE: (209) 464-7696 FAX: (209) 464-6822

4'-0" x 6'-6" x 12"
 AT&T SUB-SURFACE ENCLOSURE
 EXTENSION

ISSUE DATE:	1/5/2009
AGENCY SERIES:	4878-12
PART #:	0500-E12



CUSTOMER SERVICE
 Order and delivery assistance
 (916) 386-6174
 pcservice@teichert.com

ENGINEERING/TECHNICAL SERVICE
 Technical assistance and on site support
 (916) 386-6177
 pcengineering@teichert.com

WEIGHT: 2565 LBS



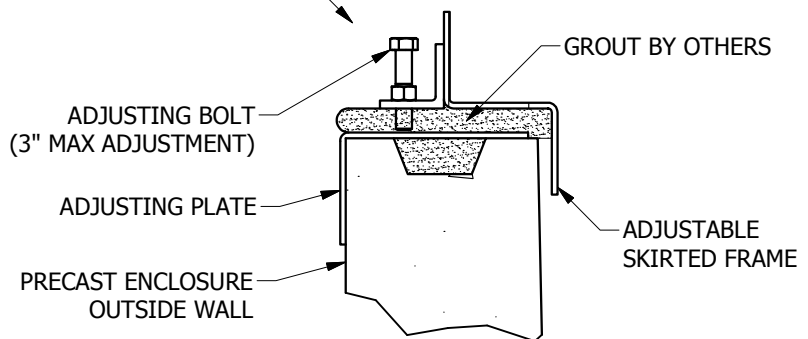
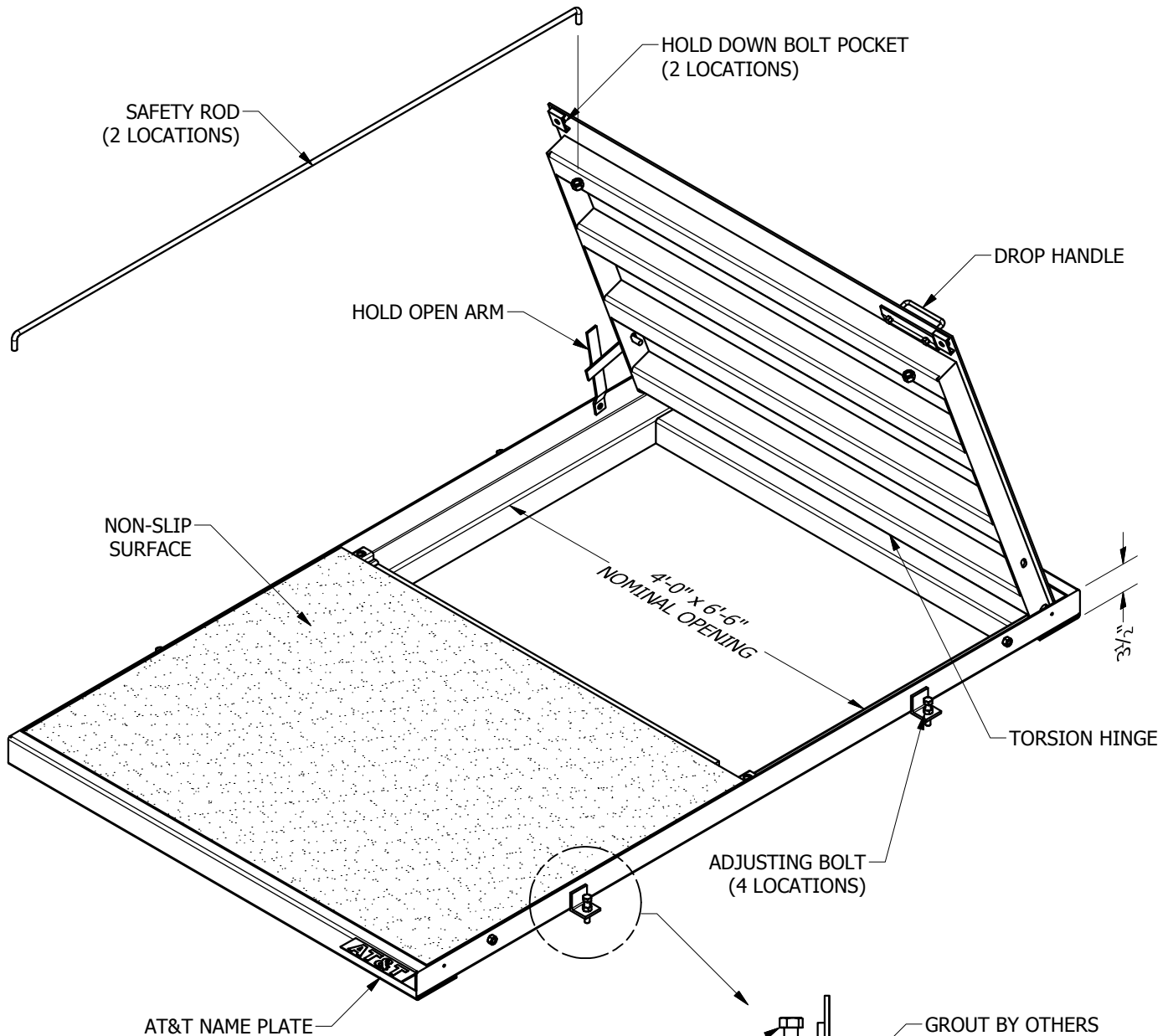
TEICHERT PRECAST PRODUCTS
 SACRAMENTO · STOCKTON
WWW.TEICHERTPRECASTPRODUCTS.COM

8180 SIGNAL COURT SACRAMENTO, CA 95824
 PHONE: (916) 386-6174 FAX: (916) 386-8823

2441 W. CHARTER WAY STOCKTON, CA 95206
 PHONE: (209) 464-7696 FAX: (209) 464-6822

4'-0" x 6'-6" x 18"
 AT&T SUB-SURFACE ENCLOSURE
 EXTENSION

ISSUE DATE:	1/5/2009
AGENCY SERIES:	4878-18
PART #:	0500-E18



**SKIRTED STYLE HATCH
MOUNTING DETAIL**

WEIGHT: 575 LBS

CUSTOMER SERVICE
Order and delivery assistance
(916) 386-6174
pcservice@teichert.com

ENGINEERING/TECHNICAL SERVICE
Technical assistance and on site support
(916) 386-6177
pcengineering@teichert.com



TEICHERT PRECAST PRODUCTS
SACRAMENTO · STOCKTON
WWW.TEICHERTPRECASTPRODUCTS.COM

8180 SIGNAL COURT SACRAMENTO, CA 95824 2441 W. CHARTER WAY STOCKTON, CA 95206
PHONE: (916) 386-6174 FAX: (916) 386-8823 PHONE: (209) 464-7696 FAX: (209) 464-6822

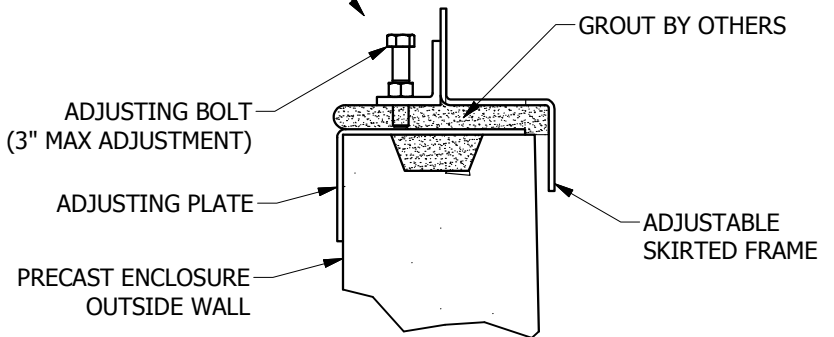
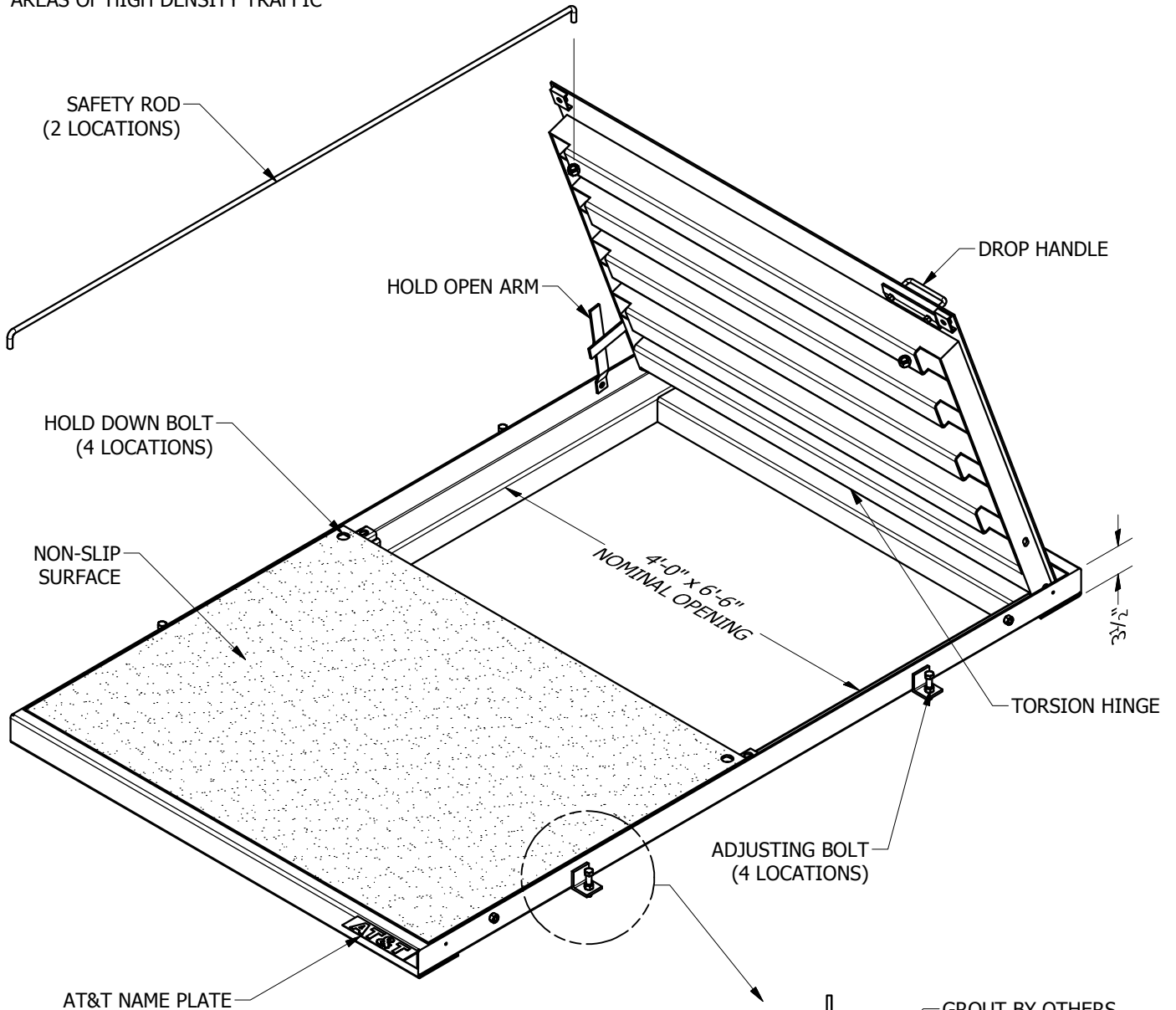
4'-0" x 6'-6" (ID) ACCESS COVER
PEDESTRIAN RATED HINGED
DOUBLE LEAF NON-SLIP
ADJUSTABLE SKIRTED STYLE FRAME

ISSUE DATE: 1/5/2009

AGENCY SERIES: PTS-4878

PART #: 0500-SHC-PRNS-AT

NOTE:
COVERS NOT INTENDED FOR USE IN
AREAS OF HIGH DENSITY TRAFFIC



**SKIRTED STYLE HATCH
MOUNTING DETAIL**

WEIGHT: 710 LBS

CUSTOMER SERVICE
Order and delivery assistance
(916) 386-6174
pcservice@teichert.com

ENGINEERING/TECHNICAL SERVICE
Technical assistance and on site support
(916) 386-6177
pcengineering@teichert.com



TEICHERT PRECAST PRODUCTS
SACRAMENTO · STOCKTON
WWW.TEICHERTPRECASTPRODUCTS.COM

8180 SIGNAL COURT SACRAMENTO, CA 95824
PHONE: (916) 386-6174 FAX: (916) 386-8823

2441 W. CHARTER WAY STOCKTON, CA 95206
PHONE: (209) 464-7696 FAX: (209) 464-6822

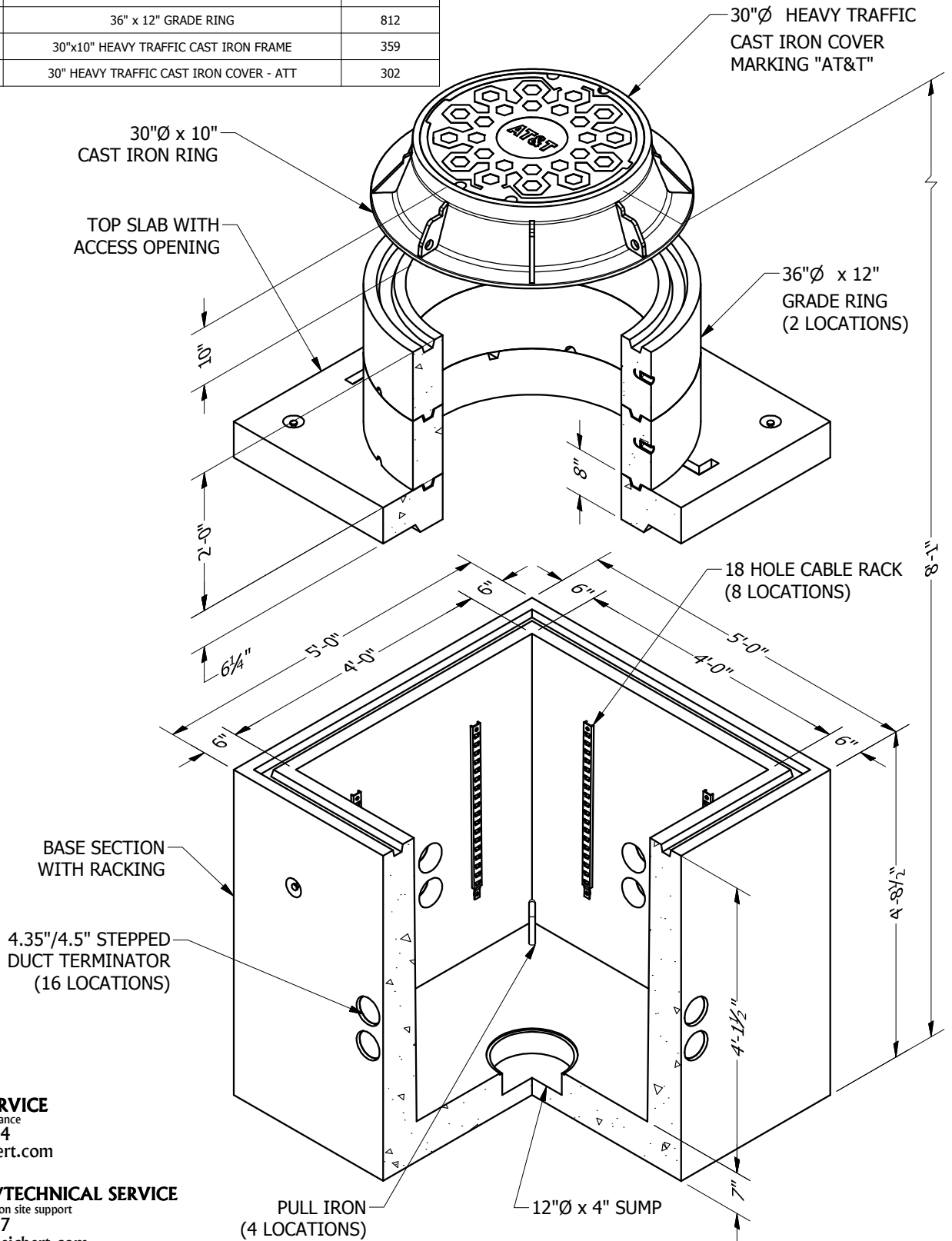
4'-0" x 6'-6" (ID) ACCESS COVER
TRAFFIC RATED HINGED
DOUBLE LEAF NON-SLIP
ADJUSTABLE SKIRTED STYLE FRAME

ISSUE DATE:	1/5/2009
AGENCY SERIES:	PTS-4878
PART #:	0500-SHC-TRNS-AT

AT&T PID: 301179776

MATERIAL LIST

PART NUM	DESCRIPTION	WEIGHT (LBS)
0310-B48-RP-AT	4'-0" x 4'-0" x 4'-0" BASE SECTION RACKED AND PAINTED	7964
0310-T08-M36	4'-0" x 4'-0" x 8" TOP SLAB WITH 36" OPENING	1533
0360-E12	36" x 12" GRADE RING	812
CIA-1133F	30"x10" HEAVY TRAFFIC CAST IRON FRAME	359
CIA-1134C-AT	30" HEAVY TRAFFIC CAST IRON COVER - ATT	302



CUSTOMER SERVICE
 Order and delivery assistance
 (916) 386-6174
 pcservice@teichert.com

ENGINEERING/TECHNICAL SERVICE
 Technical assistance and on site support
 (916) 386-6177
 pceengineering@teichert.com



TEICHERT PRECAST PRODUCTS
 SACRAMENTO · STOCKTON
 WWW.TEICHERTPRECASTPRODUCTS.COM

8180 SIGNAL COURT SACRAMENTO, CA 95824
 PHONE: (916) 386-6174 FAX: (916) 386-8823

2441 W. CHARTER WAY STOCKTON, CA 95206
 PHONE: (209) 464-7696 FAX: (209) 464-6822

4'-0" x 4'-0" x 4'-0"
 AT&T FIBER OPTIC MANHOLE
 TRAFFIC RATED

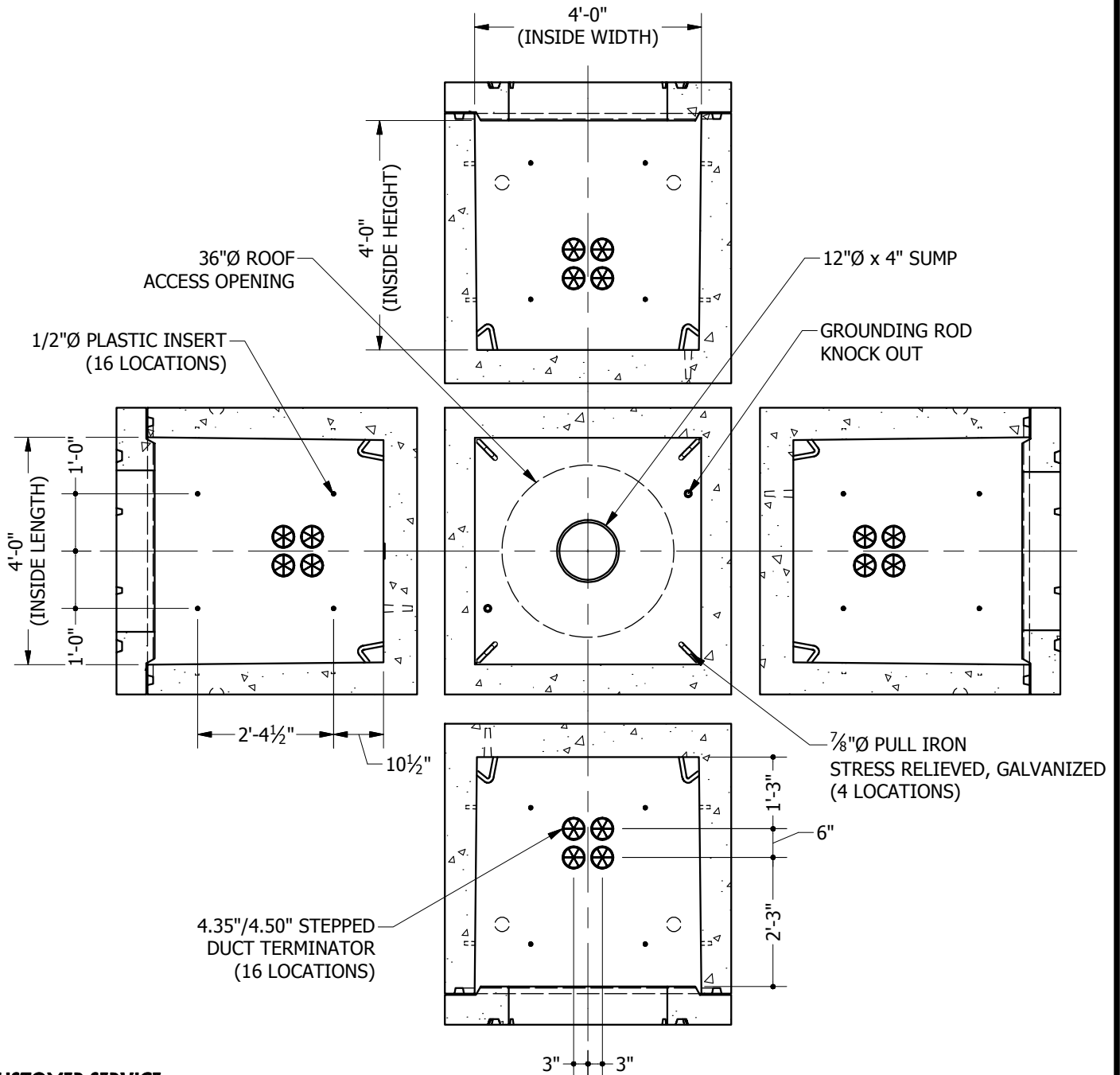
ISSUE DATE:

1/5/2009

AGENCY SERIES:

PART #:

ASY-0310-48-HT-AT



CUSTOMER SERVICE

Order and delivery assistance
 (916) 386-6174
 pcservice@teichert.com

ENGINEERING/TECHNICAL SERVICE

Technical assistance and on site support
 (916) 386-6177
 pcengineering@teichert.com

**INSIDE FOLD OUT
 DETAILED VIEW**



TEICHERT PRECAST PRODUCTS

SACRAMENTO · STOCKTON
 WWW.TEICHERTPRECASTPRODUCTS.COM

8180 SIGNAL COURT SACRAMENTO, CA 95824 2441 W. CHARTER WAY STOCKTON, CA 95206
 PHONE: (916) 386-6174 FAX: (916) 386-8823 PHONE: (209) 464-7696 FAX: (209) 464-6822

4'-0" x 4'-0" x 4'-0"
 AT&T FIBER OPTIC MANHOLE
 TRAFFIC RATED

ISSUE DATE:

1/5/2009

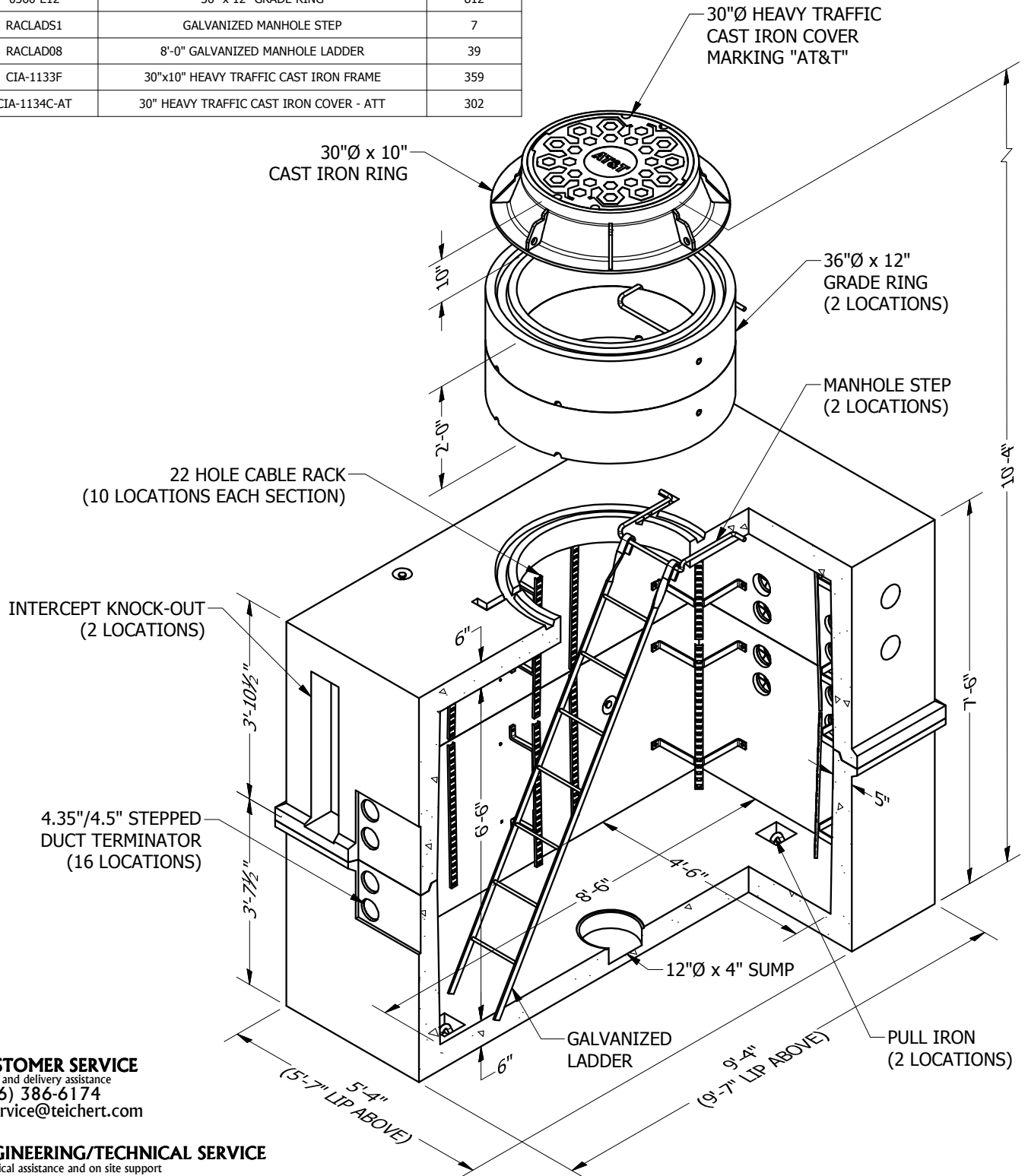
AGENCY SERIES:

PART #:

ASY-0310-48-HT-AT

MATERIAL LIST

PART NUM	DESCRIPTION	WEIGHT (LBS)
0510-B39-RP-AT	4'-6" x 8'-6" x 39" BASE SECTION RACKED AND PAINTED	9606
0510-R39-RP-AT	4'-6" x 8'-6" x 39" ROOF SECTION RACKED AND PAINTED	9139
0360-E12	36" x 12" GRADE RING	812
RACLADS1	GALVANIZED MANHOLE STEP	7
RACLAD08	8'-0" GALVANIZED MANHOLE LADDER	39
CIA-1133F	30"x10" HEAVY TRAFFIC CAST IRON FRAME	359
CIA-1134C-AT	30" HEAVY TRAFFIC CAST IRON COVER - ATT	302



CUSTOMER SERVICE
 Order and delivery assistance
 (916) 386-6174
 pcservice@teichert.com

ENGINEERING/TECHNICAL SERVICE
 Technical assistance and on site support
 (916) 386-6177
 pceengineering@teichert.com



TEICHERT PRECAST PRODUCTS
 SACRAMENTO · STOCKTON
 WWW.TEICHERTPRECASTPRODUCTS.COM

8180 SIGNAL COURT SACRAMENTO, CA 95824 2441 W. CHARTER WAY STOCKTON, CA 95206
 PHONE: (916) 386-6174 FAX: (916) 386-8823 PHONE: (209) 464-7696 FAX: (209) 464-6822

4'-6" x 8'-6" x 6'-6"
 AT&T MANHOLE
 CENTER DUCT
 TRAFFIC RATED

ISSUE DATE:

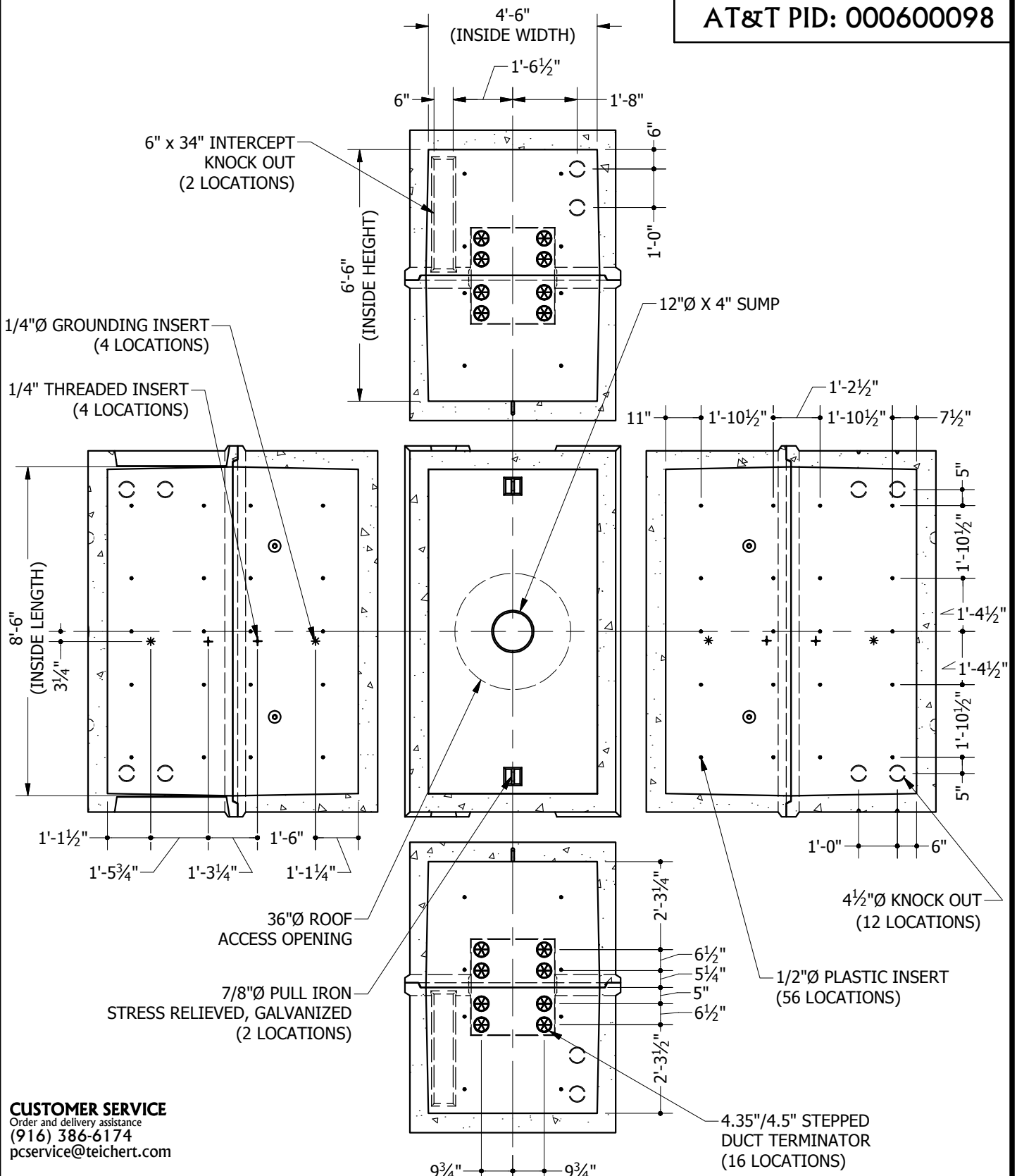
1/5/2009

AGENCY SERIES:

PTS-65

PART #:

ASY-0510-78-HT-AT



**INSIDE FOLD OUT
DETAILED VIEW**

CUSTOMER SERVICE
Order and delivery assistance
(916) 386-6174
pcservice@teichert.com

ENGINEERING/TECHNICAL SERVICE
Technical assistance and on site support
(916) 386-6177
pcengineering@teichert.com

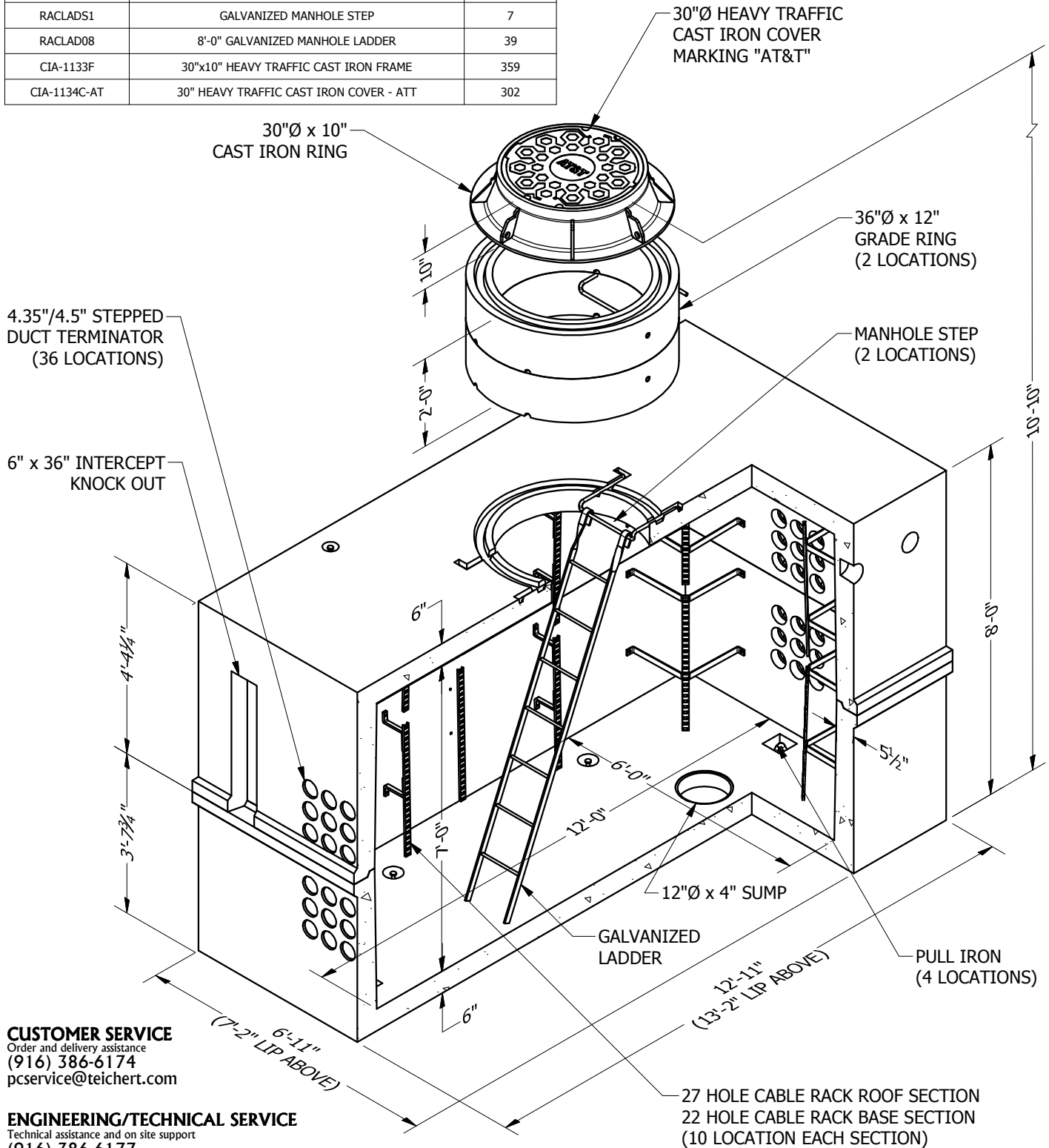
TEICHERT PRECAST PRODUCTS
SACRAMENTO · STOCKTON
WWW.TEICHERTPRECASTPRODUCTS.COM
8180 SIGNAL COURT SACRAMENTO, CA 95824
PHONE: (916) 386-6174 FAX: (916) 386-8823
2441 W. CHARTER WAY STOCKTON, CA 95206
PHONE: (209) 464-7696 FAX: (209) 464-6822

4'-6" x 8'-6" x 6'-6"
AT&T MANHOLE
CENTER DUCT
TRAFFIC RATED

ISSUE DATE:	1/5/2009
AGENCY SERIES:	PTS-65
PART #:	ASY-0510-78-HT-AT

MATERIAL LIST

PART NUM	DESCRIPTION	WEIGHT (LBS)
6000-B37-RP-AT	6'-0" x 12'-0" x 37" BASE SECTION RACKED AND PAINTED	15532
6000-R47-RP-AT	6'-0" x 12'-0" x 47" ROOF SECTION RACKED AND PAINTED	16499
0360-E12	36" x 12" GRADE RING	812
RACLADS1	GALVANIZED MANHOLE STEP	7
RACLAD08	8'-0" GALVANIZED MANHOLE LADDER	39
CIA-1133F	30"x10" HEAVY TRAFFIC CAST IRON FRAME	359
CIA-1134C-AT	30" HEAVY TRAFFIC CAST IRON COVER - ATT	302



CUSTOMER SERVICE
 Order and delivery assistance
 (916) 386-6174
 pcservice@teichert.com

ENGINEERING/TECHNICAL SERVICE
 Technical assistance and on site support
 (916) 386-6177
 pceengineering@teichert.com

27 HOLE CABLE RACK ROOF SECTION
 22 HOLE CABLE RACK BASE SECTION
 (10 LOCATION EACH SECTION)

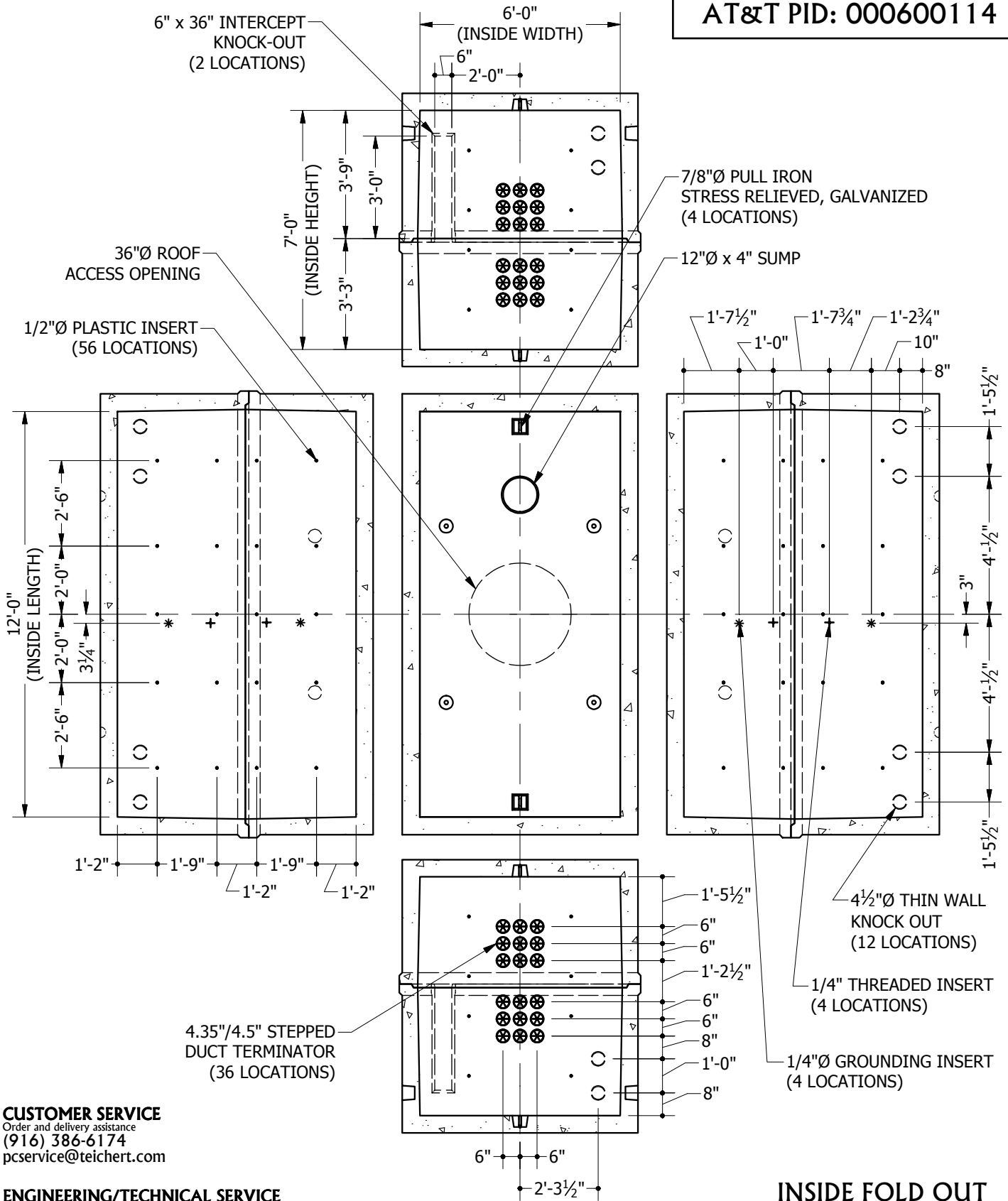


TEICHERT PRECAST PRODUCTS
 SACRAMENTO · STOCKTON
WWW.TEICHERTPRECASTPRODUCTS.COM
 8180 SIGNAL COURT SACRAMENTO, CA 95824 2441 W. CHARTER WAY STOCKTON, CA 95206
 PHONE: (916) 386-6174 FAX: (916) 386-8823 PHONE: (209) 464-7696 FAX: (209) 464-6822

6'-0" x 12'-0" x 7'-0"
 AT&T MANHOLE
 CENTER DUCT
 TRAFFIC RATED

ISSUE DATE: 1/5/2009
 AGENCY SERIES: 38Y-4046-1
 PART #: ASY-6000-84-HT-AT

AT&T PID: 000600114



**INSIDE FOLD OUT
DETAILED VIEW**

CUSTOMER SERVICE
Order and delivery assistance
(916) 386-6174
pcservice@teichert.com

ENGINEERING/TECHNICAL SERVICE
Technical assistance and on site support
(916) 386-6177
pcengineering@teichert.com



TEICHERT PRECAST PRODUCTS
SACRAMENTO · STOCKTON
WWW.TEICHERTPRECASTPRODUCTS.COM

8180 SIGNAL COURT SACRAMENTO, CA 95824 2441 W. CHARTER WAY STOCKTON, CA 95206
PHONE: (916) 386-6174 FAX: (916) 386-8823 PHONE: (209) 464-7696 FAX: (209) 464-6822

6'-0" x 12'-0" x 7'-0"
AT&T MANHOLE
CENTER DUCT
TRAFFIC RATED

ISSUE DATE:

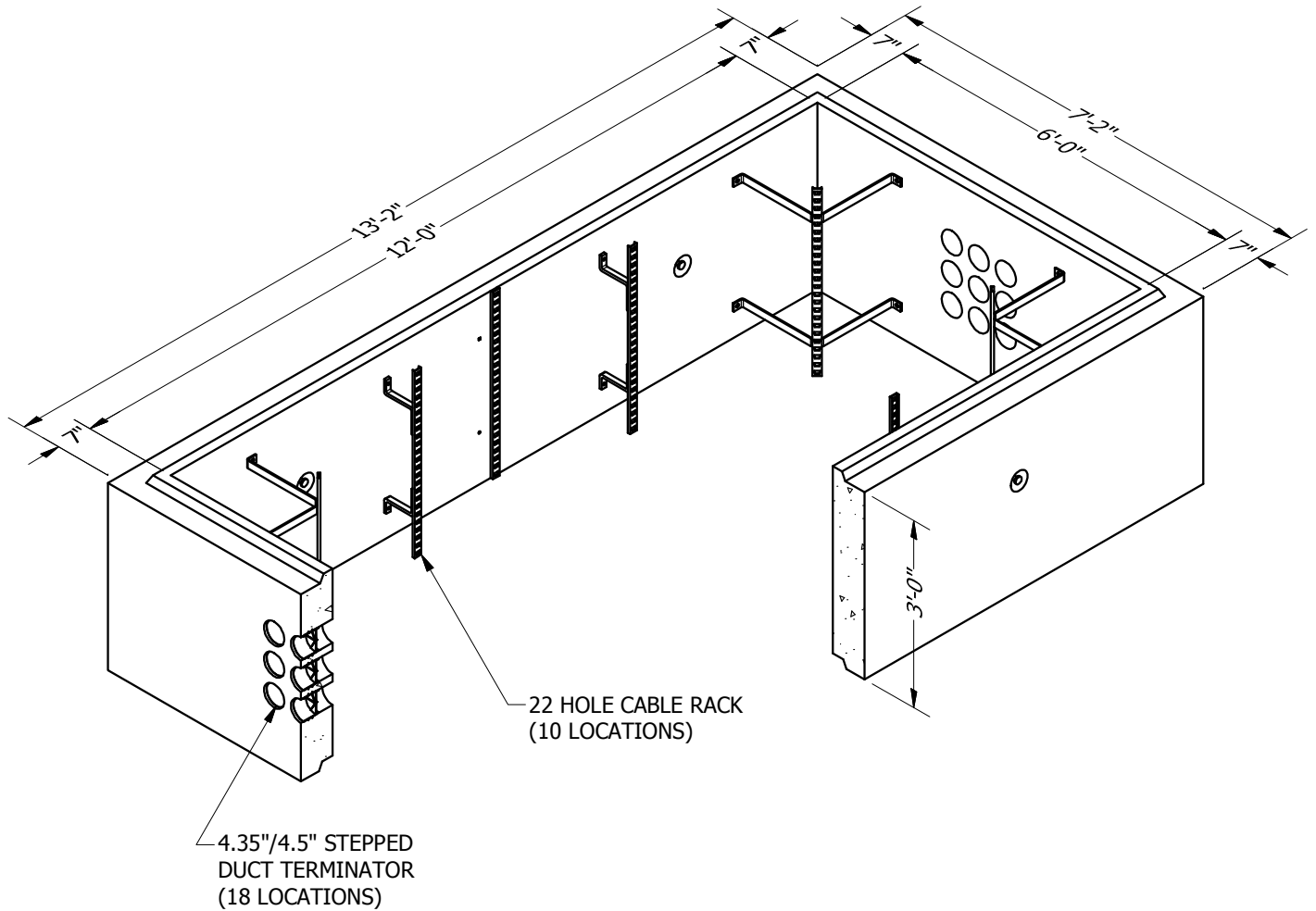
1/5/2009

AGENCY SERIES:

38Y-4046-1

PART #:

ASY-6000-84-HT-AT



CUSTOMER SERVICE
 Order and delivery assistance
 (916) 386-6174
 pcservice@teichert.com

ENGINEERING/TECHNICAL SERVICE
 Technical assistance and on site support
 (916) 386-6177
 pcengineering@teichert.com

WEIGHT: 10,000 LBS



TEICHERT PRECAST PRODUCTS
 SACRAMENTO · STOCKTON
WWW.TEICHERTPRECASTPRODUCTS.COM

8180 SIGNAL COURT SACRAMENTO, CA 95824
 PHONE: (916) 386-6174 FAX: (916) 386-8823

2441 W. CHARTER WAY STOCKTON, CA 95206
 PHONE: (209) 464-7696 FAX: (209) 464-6822

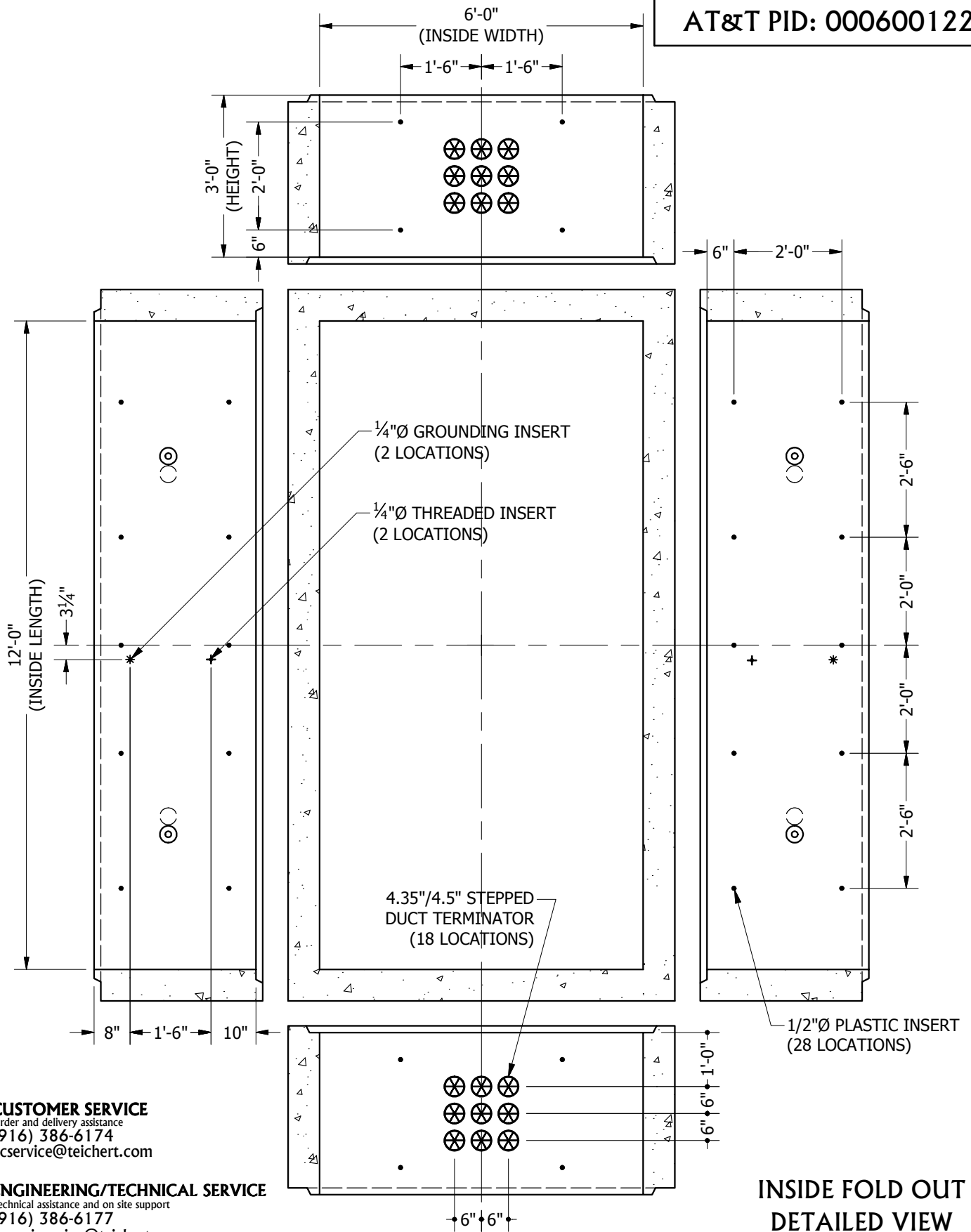
6'-0" x 12'-0" x 36"
 AT&T MANHOLE
 CENTER DUCT EXTENSION

ISSUE DATE: 1/5/2009

AGENCY SERIES: 38Y-4049-1

PART #: 6000-E36-RP-AT

AT&T PID: 000600122



CUSTOMER SERVICE
 Order and delivery assistance
 (916) 386-6174
 pcservice@teichert.com

ENGINEERING/TECHNICAL SERVICE
 Technical assistance and on site support
 (916) 386-6177
 pceengineering@teichert.com



TEICHERT PRECAST PRODUCTS
 SACRAMENTO · STOCKTON
 WWW.TEICHERTPRECASTPRODUCTS.COM

8180 SIGNAL COURT SACRAMENTO, CA 95824 2441 W. CHARTER WAY STOCKTON, CA 95206
 PHONE: (916) 386-6174 FAX: (916) 386-8823 PHONE: (209) 464-7696 FAX: (209) 464-6822

6'-0" x 12'-0" x 36"
 AT&T MANHOLE
 CENTER DUCT EXTENSION

ISSUE DATE: 1/5/2009

AGENCY SERIES: 38Y-4049-1

PART #: 6000-E36-RP-AT

MATERIAL LIST

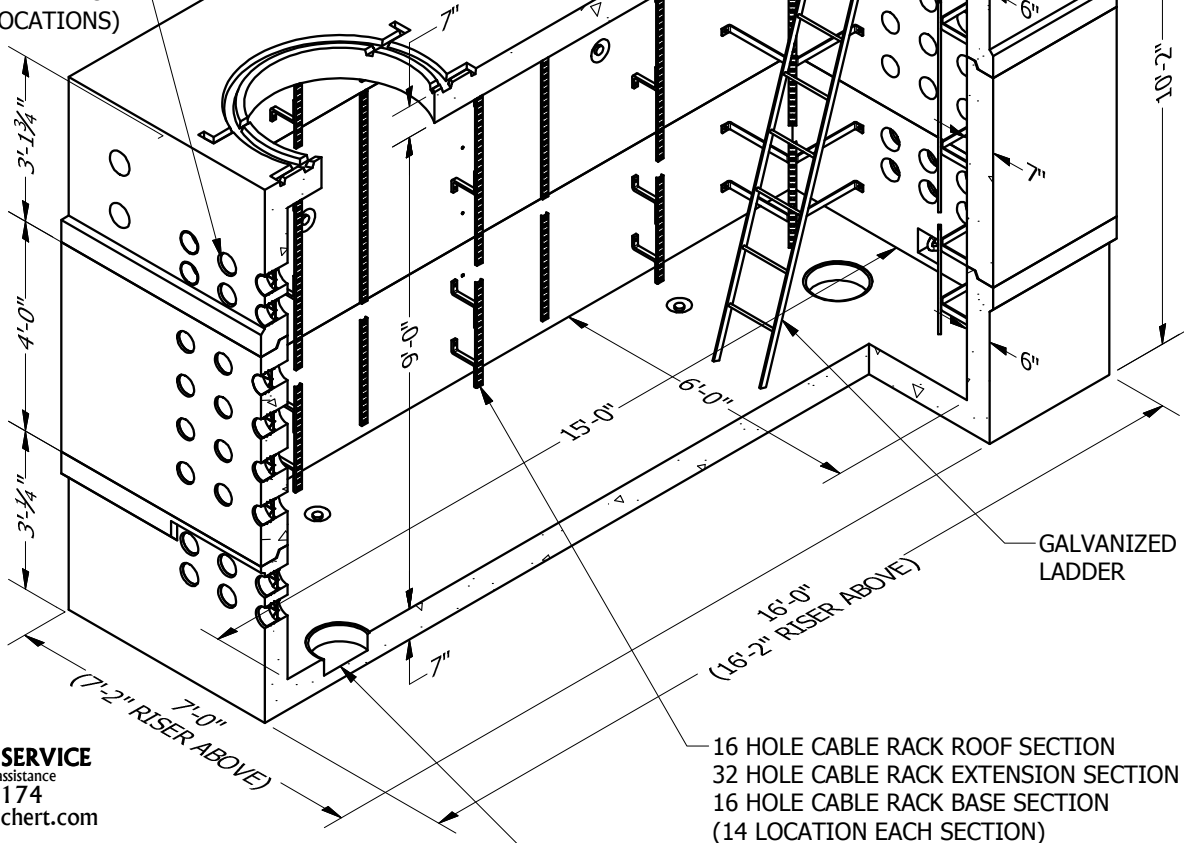
PART NUM	DESCRIPTION	WEIGHT (LBS)
6015-B30-RP-AT	6'-0" x 15'-0" x 30" BASE SECTION RACKED AND PAINTED	18132
6015-E48-RP-AT	6'-0" x 15'-0" x 48" EXTENSION RACKED AND PAINTED	15379
6015-R30-RP-AT	6'-0" x 15'-0" x 30" ROOF SECTION RACKED AND PAINTED	16871
0360-E12	36" x 12" GRADE RING	812
RACLADS1	GALVANIZED MANHOLE STEP	7
RACLAD10	10'-0" GALVANIZED MANHOLE LADDER	49
CIA-1133F	30"x10" HEAVY TRAFFIC CAST IRON FRAME	359
CIA-1134C-AT	30" HEAVY TRAFFIC CAST IRON COVER - ATT	302

30"Ø HEAVY TRAFFIC CAST IRON COVER MARKING "AT&T" (2 LOCATIONS)

30"Ø x 10" CAST IRON RING (2 LOCATIONS)

36"Ø x 12" GRADE RING (4 LOCATIONS)

4.35"/4.5" STEPPED DUCT TERMINATOR (48 LOCATIONS)



CUSTOMER SERVICE
Order and delivery assistance
(916) 386-6174
pcservice@teichert.com

ENGINEERING/TECHNICAL SERVICE
Technical assistance and on site support
(916) 386-6177
pcengineering@teichert.com

12"Ø x 4" SUMP (2 LOCATIONS)

16 HOLE CABLE RACK ROOF SECTION
32 HOLE CABLE RACK EXTENSION SECTION
16 HOLE CABLE RACK BASE SECTION (14 LOCATION EACH SECTION)



TEICHERT PRECAST PRODUCTS
SACRAMENTO · STOCKTON
WWW.TEICHERTPRECASTPRODUCTS.COM

8180 SIGNAL COURT SACRAMENTO, CA 95824
PHONE: (916) 386-6174 FAX: (916) 386-8823

2441 W. CHARTER WAY STOCKTON, CA 95206
PHONE: (209) 464-7696 FAX: (209) 464-6822

6'-0" x 15'-0" x 9'-0"
AT&T MANHOLE
CENTER DUCT
TRAFFIC RATED

ISSUE DATE:

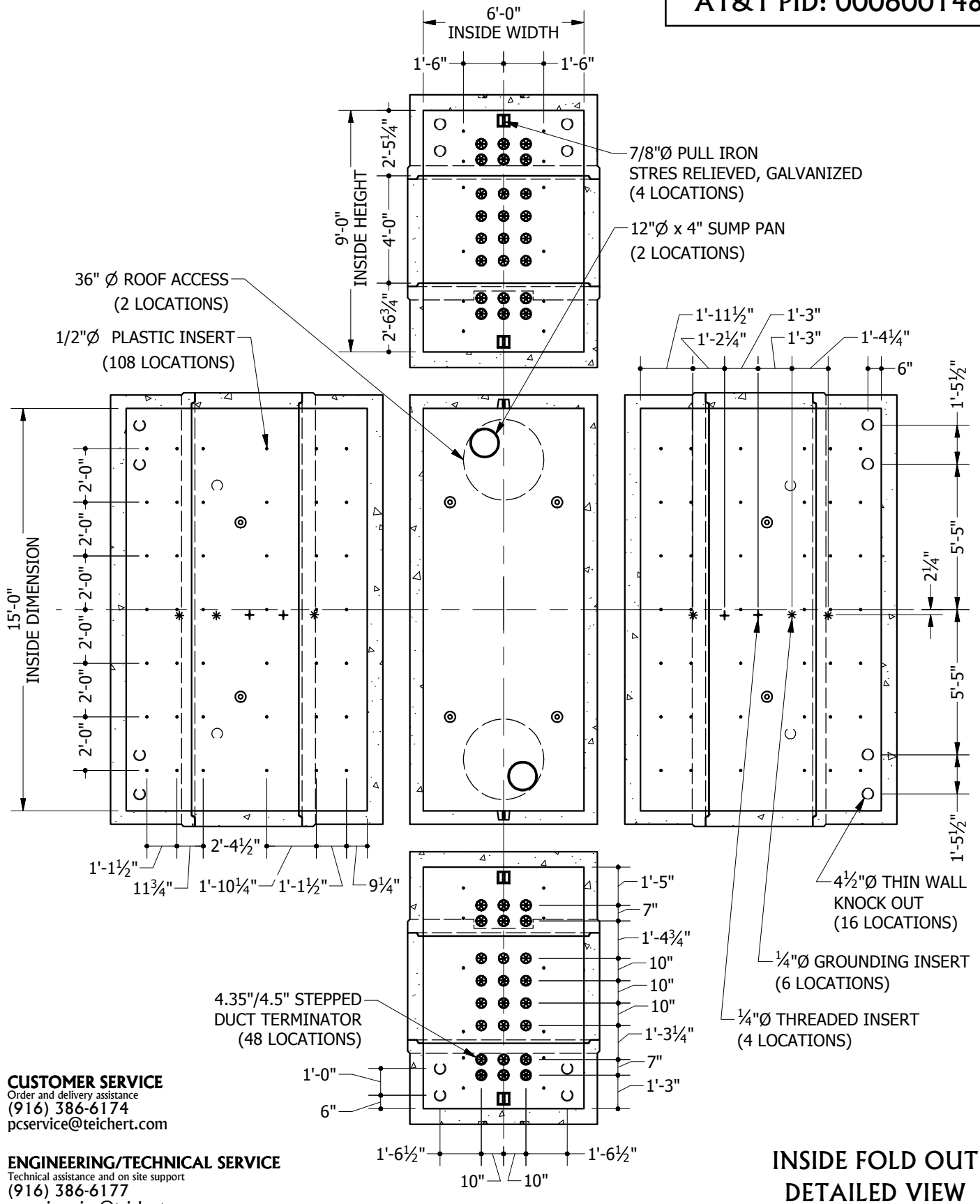
1/5/2009

AGENCY SERIES:

38Y-4048

PART #:

ASY-6015-108-HT-AT



**INSIDE FOLD OUT
DETAILED VIEW**

CUSTOMER SERVICE
Order and delivery assistance
(916) 386-6174
pcservice@teichert.com

ENGINEERING/TECHNICAL SERVICE
Technical assistance and on site support
(916) 386-6177
pcengineering@teichert.com

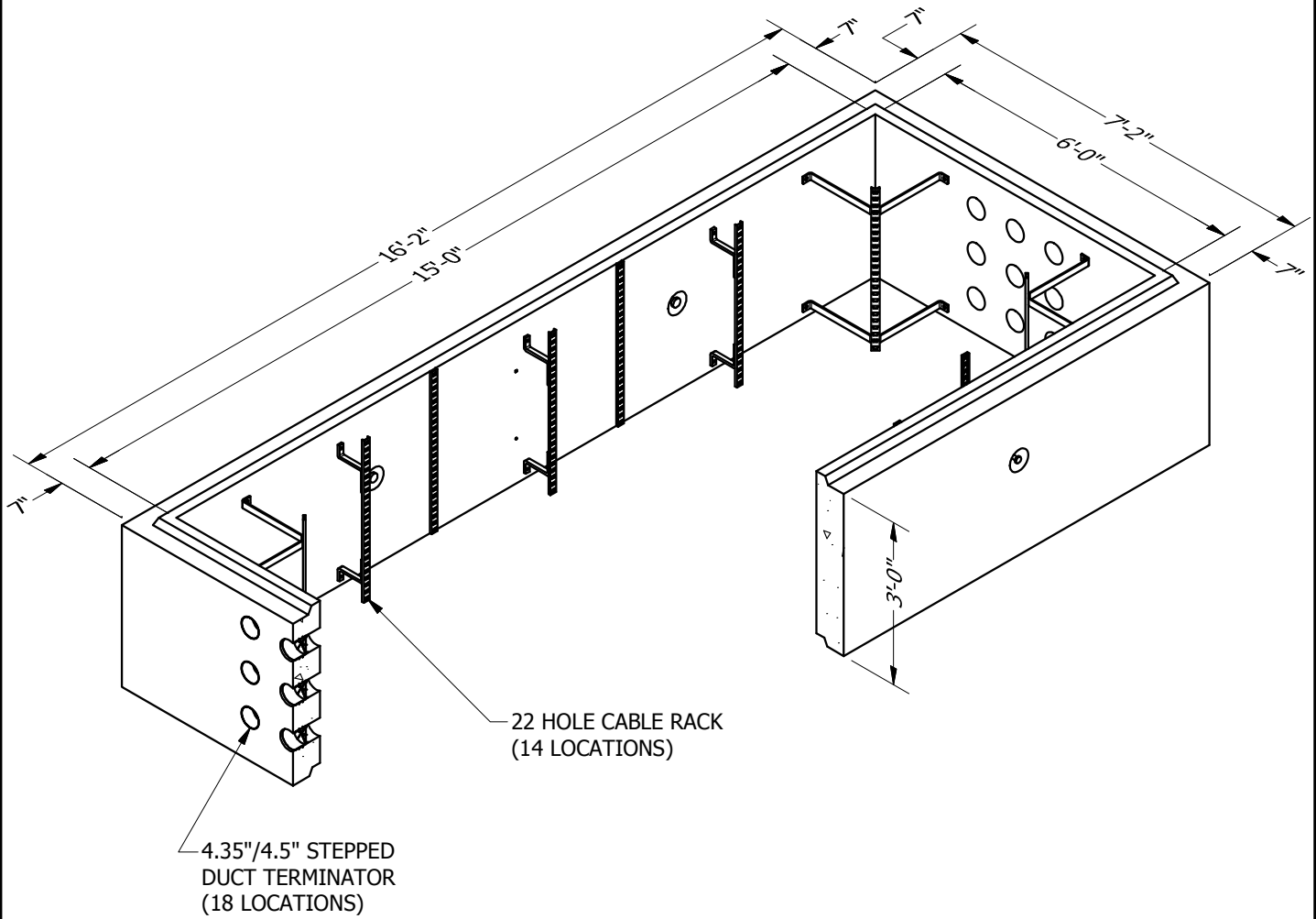
TEICHERT PRECAST PRODUCTS
SACRAMENTO · STOCKTON
WWW.TEICHERTPRECASTPRODUCTS.COM

8180 SIGNAL COURT SACRAMENTO, CA 95824
PHONE: (916) 386-6174 FAX: (916) 386-8823

2441 W. CHARTER WAY STOCKTON, CA 95206
PHONE: (209) 464-7696 FAX: (209) 464-6822

6'-0" x 15'-0" x 9'-0"
AT&T MANHOLE
CENTER DUCT
TRAFFIC RATED

ISSUE DATE:	1/5/2009
AGENCY SERIES:	38Y-4048
PART #:	ASY-6015-108-HT-AT



CUSTOMER SERVICE
 Order and delivery assistance
 (916) 386-6174
 pcservice@teichert.com

ENGINEERING/TECHNICAL SERVICE
 Technical assistance and on site support
 (916) 386-6177
 pcengineering@teichert.com

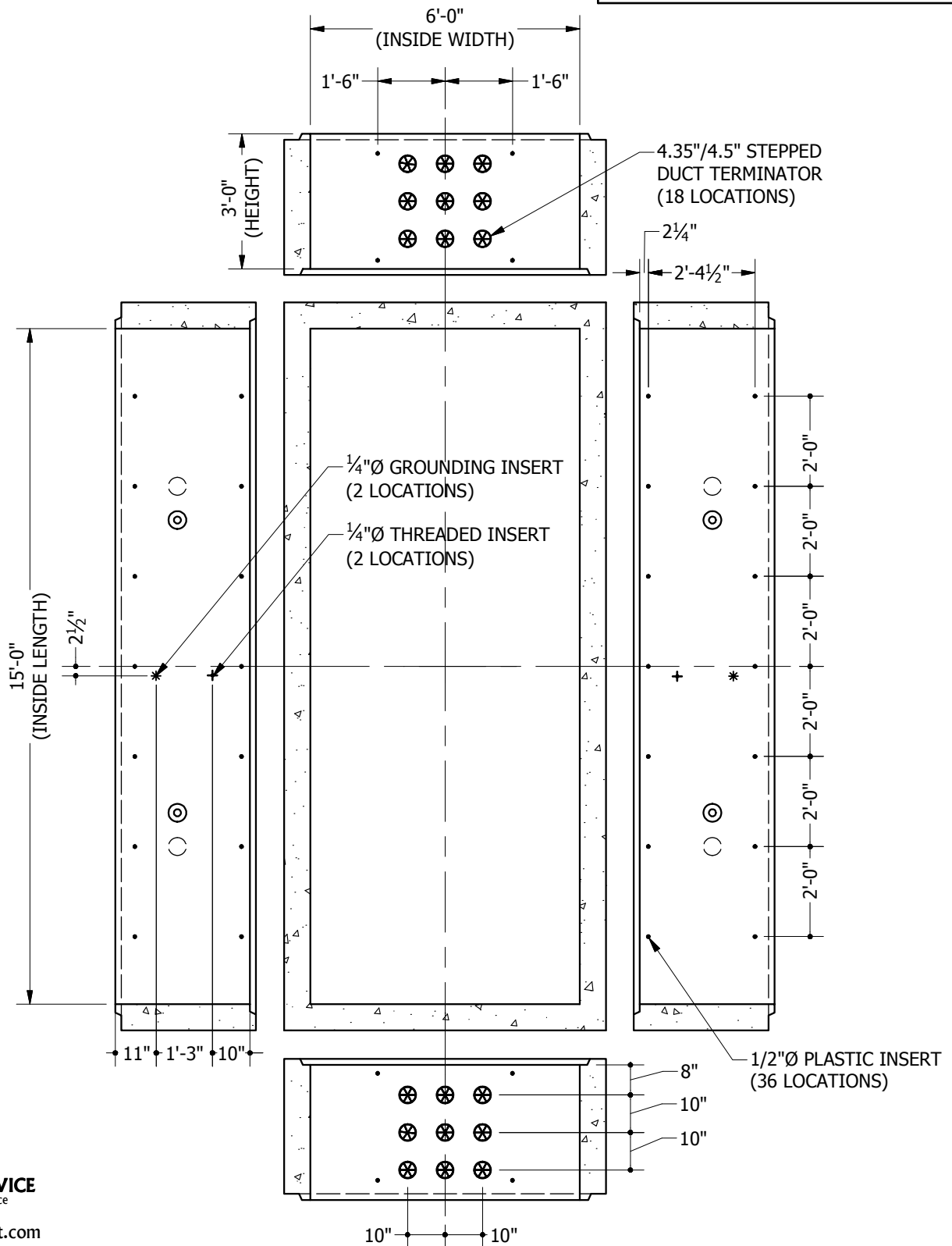
WEIGHT: 11,625 LBS



TEICHERT PRECAST PRODUCTS
 SACRAMENTO · STOCKTON
WWW.TEICHERTPRECASTPRODUCTS.COM
 8180 SIGNAL COURT SACRAMENTO, CA 95824 2441 W. CHARTER WAY STOCKTON, CA 95206
 PHONE: (916) 386-6174 FAX: (916) 386-8823 PHONE: (209) 464-7696 FAX: (209) 464-6822

6'-0" x 15'-0" x 36"
 AT&T MANHOLE
 CENTER DUCT EXTENSION

ISSUE DATE:	1/5/2009
AGENCY SERIES:	38Y-4051
PART #:	6015-E36-RP-AT



**INSIDE FOLD OUT
DETAILED VIEW**

CUSTOMER SERVICE
Order and delivery assistance
(916) 386-6174
pcservice@teichert.com

ENGINEERING/TECHNICAL SERVICE
Technical assistance and on site support
(916) 386-6177
pcengineering@teichert.com



TEICHERT PRECAST PRODUCTS
SACRAMENTO · STOCKTON
WWW.TEICHERTPRECASTPRODUCTS.COM

8180 SIGNAL COURT SACRAMENTO, CA 95824 2441 W. CHARTER WAY STOCKTON, CA 95206
PHONE: (916) 386-6174 FAX: (916) 386-8823 PHONE: (209) 464-7696 FAX: (209) 464-6822

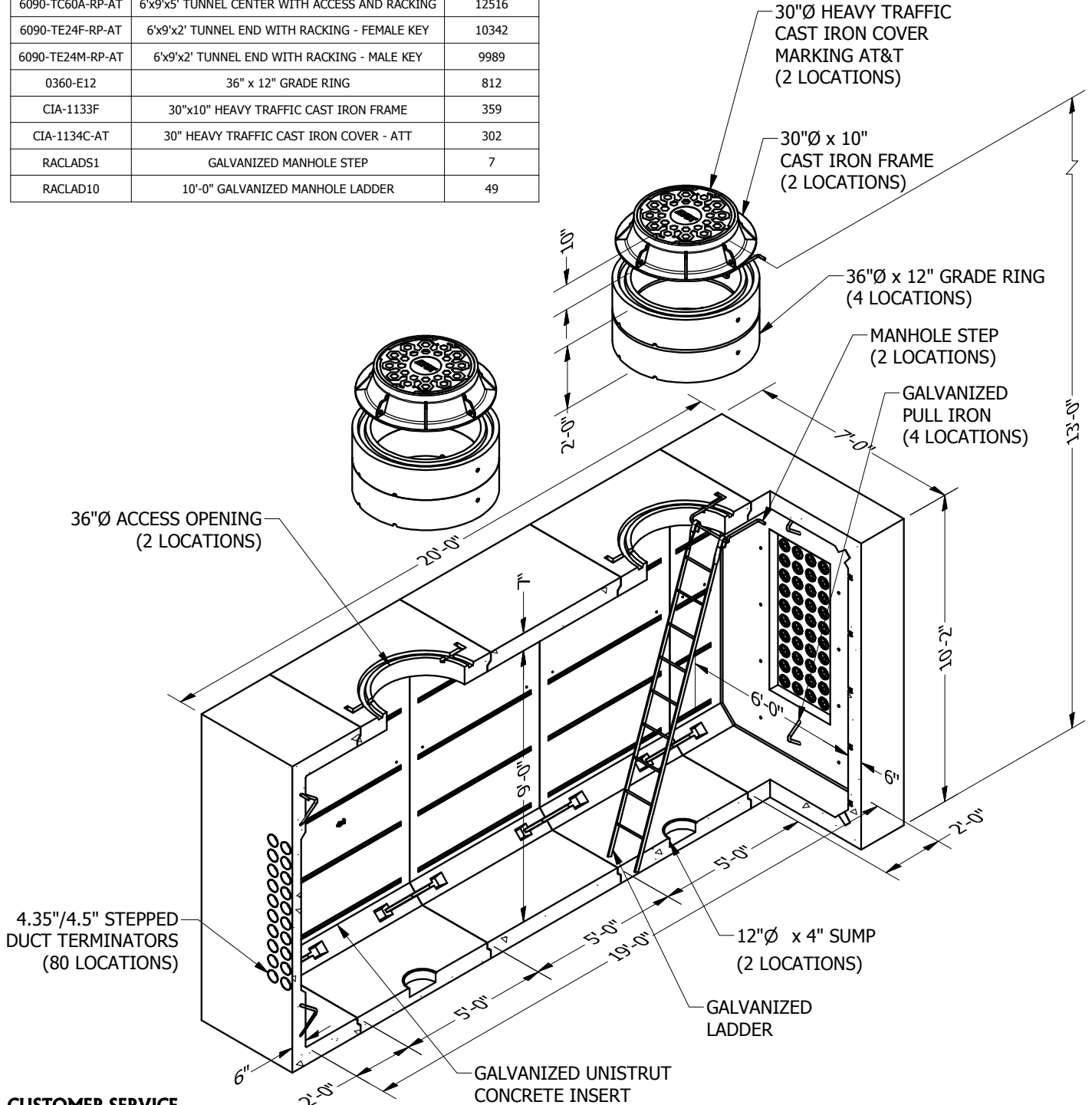
6'-0" x 15'-0" x 36"
AT&T MANHOLE
CENTER DUCT EXTENSION

ISSUE DATE: 1/5/2009
AGENCY SERIES: 38Y-4051
PART #: 6015-E36-RP-AT

AT&T PID: 000600189

MATERIAL LIST

PART NUM	DESCRIPTION	WEIGHT (LBS)
6090-TC60-RP-AT	6'x9'x5' TUNNEL CENTER WITH RACKING	13223
6090-TC60A-RP-AT	6'x9'x5' TUNNEL CENTER WITH ACCESS AND RACKING	12516
6090-TE24F-RP-AT	6'x9'x2' TUNNEL END WITH RACKING - FEMALE KEY	10342
6090-TE24M-RP-AT	6'x9'x2' TUNNEL END WITH RACKING - MALE KEY	9989
0360-E12	36" x 12" GRADE RING	812
CIA-1133F	30"x10" HEAVY TRAFFIC CAST IRON FRAME	359
CIA-1134C-AT	30" HEAVY TRAFFIC CAST IRON COVER - ATT	302
RACLADS1	GALVANIZED MANHOLE STEP	7
RACLAD10	10'-0" GALVANIZED MANHOLE LADDER	49



CUSTOMER SERVICE
 Order and delivery assistance
 (916) 386-6174
 pcservice@teichert.com

ENGINEERING/TECHNICAL SERVICE
 Technical assistance and on site support
 (916) 386-6177
 pceengineering@teichert.com

RACKING NOT SHOWN FOR CLARITY.
 PLEASE REFER TO INDIVIDUAL
 COMPONENT DRAWINGS.

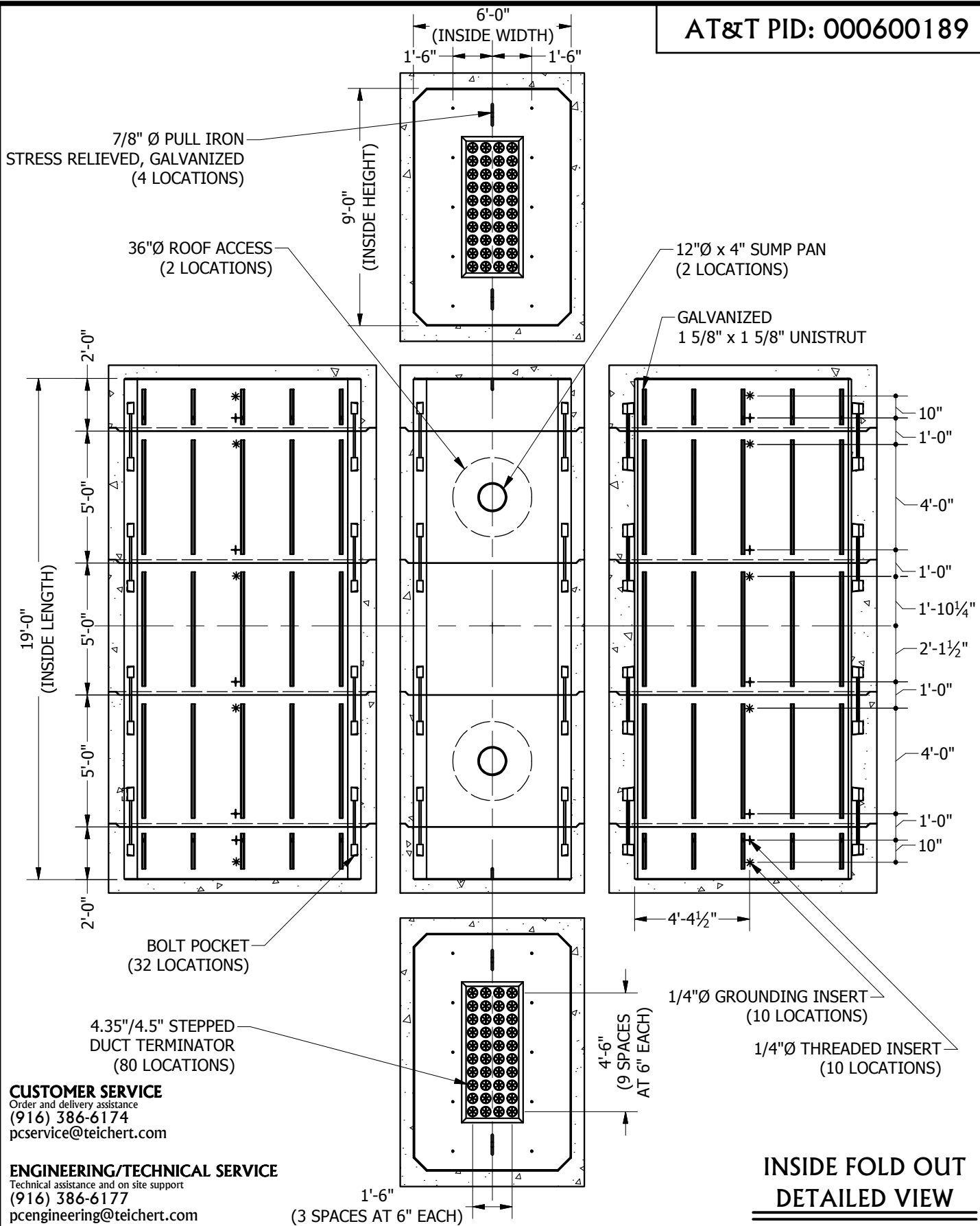


TEICHERT PRECAST PRODUCTS
 SACRAMENTO · STOCKTON
WWW.TEICHERTPRECASTPRODUCTS.COM
 8180 SIGNAL COURT SACRAMENTO, CA 95824 2441 W. CHARTER WAY STOCKTON, CA 95206
 PHONE: (916) 386-6174 FAX: (916) 386-8823 PHONE: (209) 464-7696 FAX: (209) 464-6822

6'-0" x 9'-0" x 19'-0"
 AT&T MODULAR MANHOLE
 TRAFFIC RATED TUNNEL

ISSUE DATE: 1/5/2009
 AGENCY SERIES: PTS-69
 PART #: ASY-6090-T19-HT-AT

AT&T PID: 000600189



CUSTOMER SERVICE
Order and delivery assistance
(916) 386-6174
pcservice@teichert.com

ENGINEERING/TECHNICAL SERVICE
Technical assistance and on site support
(916) 386-6177
pcengineering@teichert.com

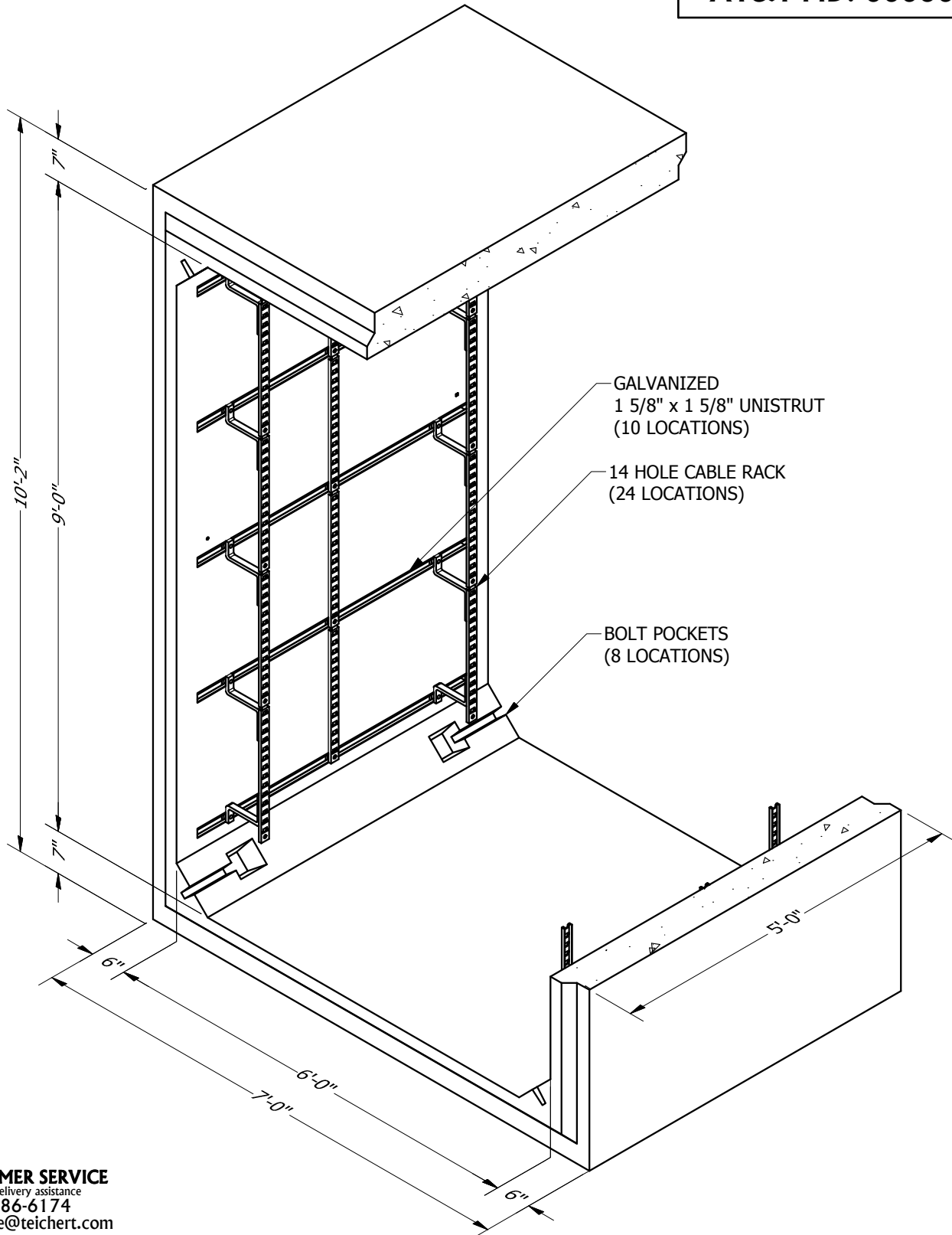


TEICHERT PRECAST PRODUCTS
SACRAMENTO · STOCKTON
WWW.TEICHERTPRECASTPRODUCTS.COM

8180 SIGNAL COURT SACRAMENTO, CA 95824 2441 W. CHARTER WAY STOCKTON, CA 95206
PHONE: (916) 386-6174 FAX: (916) 386-8823 PHONE: (209) 464-7696 FAX: (209) 464-6822

6'-0" x 9'-0" x 19'-0"
AT&T MODULAR MANHOLE
TRAFFIC RATED TUNNEL

ISSUE DATE: 1/5/2009
AGENCY SERIES: PTS-69
PART #: ASY-6090-T19-HT-AT



CUSTOMER SERVICE
Order and delivery assistance
(916) 386-6174
pcservice@teichert.com

ENGINEERING/TECHNICAL SERVICE
Technical assistance and on site support
(916) 386-6177
pcengineering@teichert.com

WEIGHT: 13,284 LBS



TEICHERT PRECAST PRODUCTS
SACRAMENTO · STOCKTON
WWW.TEICHERTPRECASTPRODUCTS.COM

8180 SIGNAL COURT SACRAMENTO, CA 95824
PHONE: (916) 386-6174 FAX: (916) 386-8823

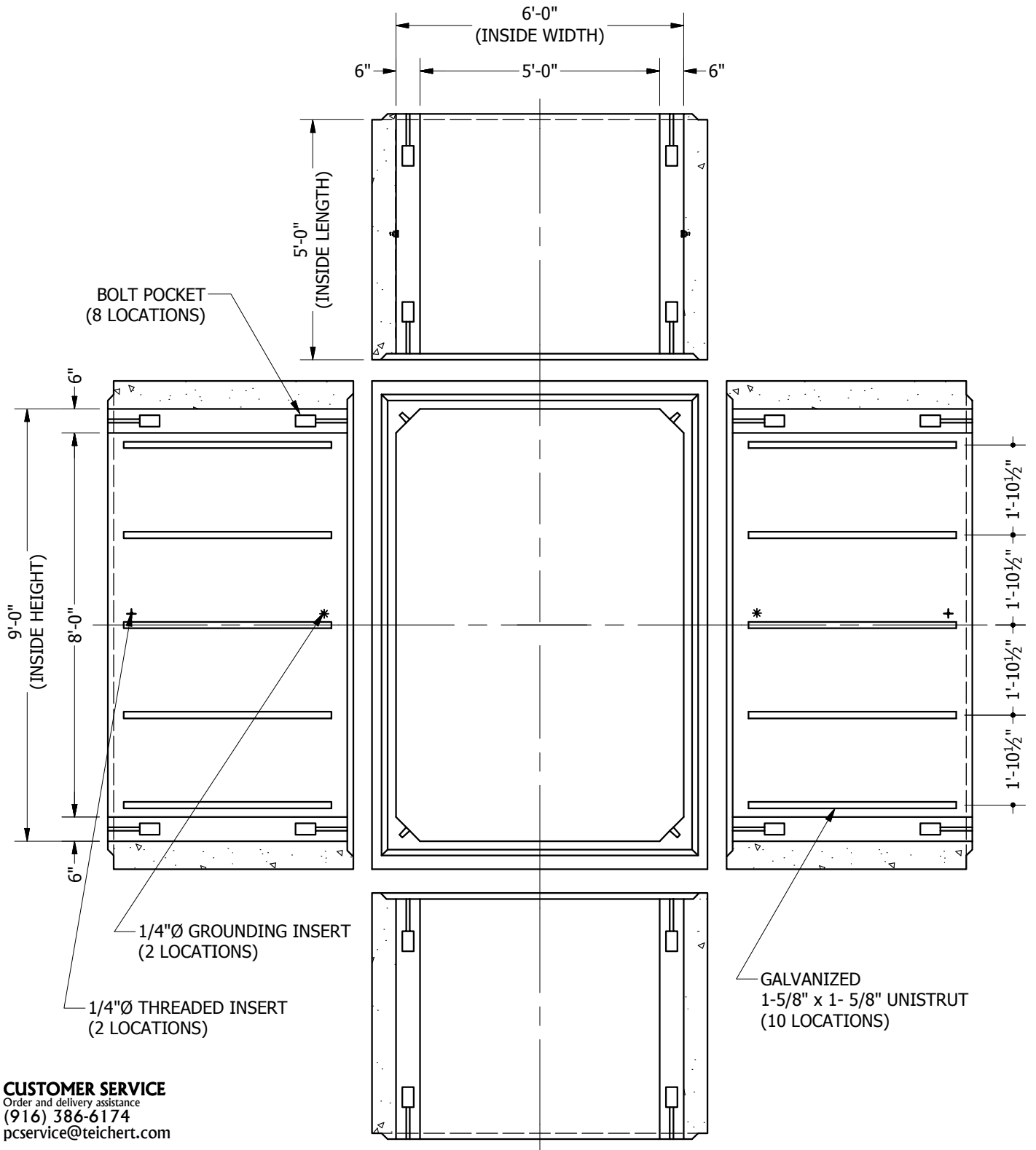
2441 W. CHARTER WAY STOCKTON, CA 95206
PHONE: (209) 464-7696 FAX: (209) 464-6822

6'-0" x 9'-0" x 5'-0"
AT&T MODULAR MANHOLE
TUNNEL CENTER NO ACCESS

ISSUE DATE: 1/5/2009

AGENCY SERIES: PTS-69

PART #: 6090-TC60-RP-AT



CUSTOMER SERVICE
 Order and delivery assistance
 (916) 386-6174
 pcservice@teichert.com

ENGINEERING/TECHNICAL SERVICE
 Technical assistance and on site support
 (916) 386-6177
 pceengineering@teichert.com

**INSIDE FOLD OUT
 DETAILED VIEW**



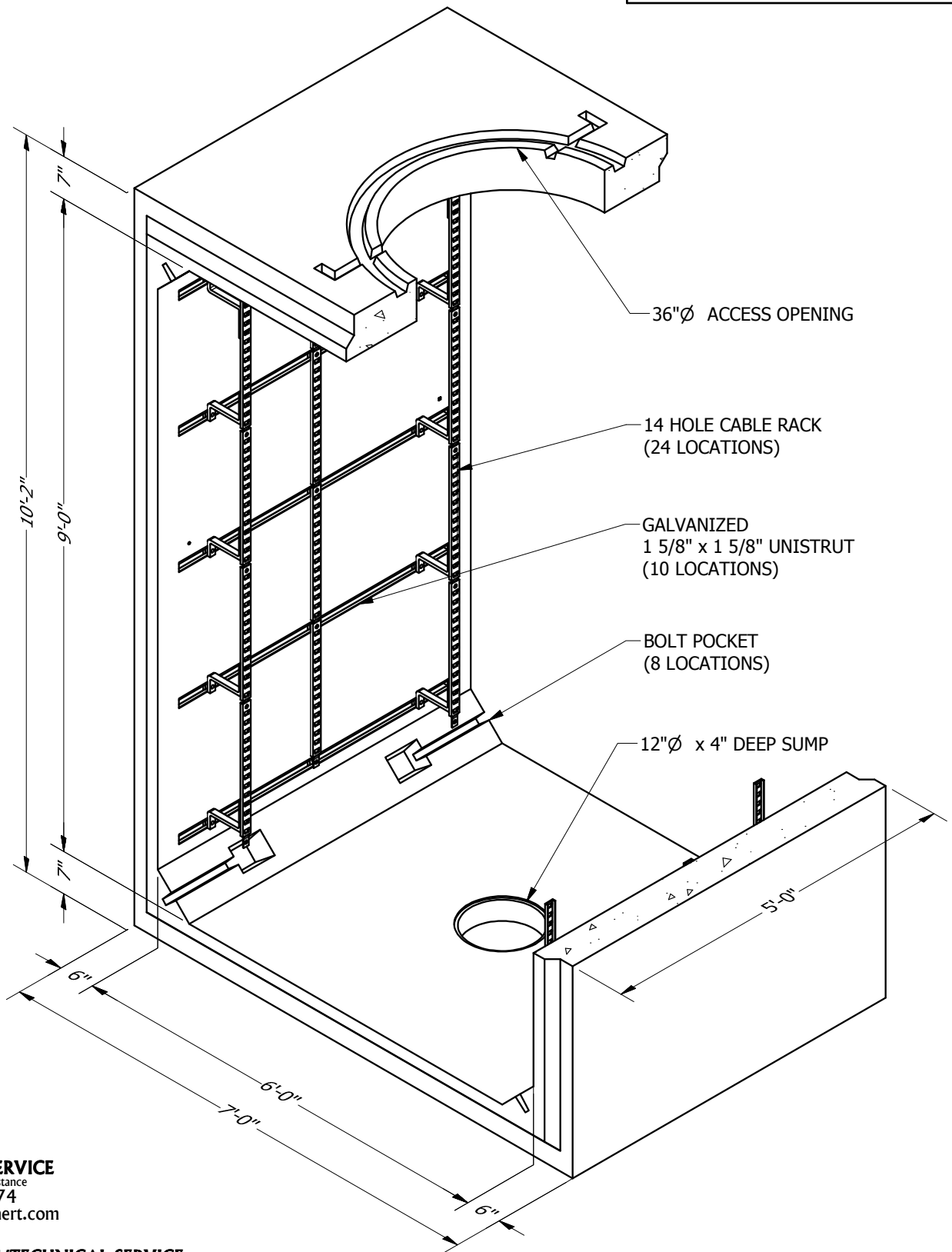
TEICHERT PRECAST PRODUCTS
 SACRAMENTO · STOCKTON
 WWW.TEICHERTPRECASTPRODUCTS.COM

8180 SIGNAL COURT SACRAMENTO, CA 95824
 PHONE: (916) 386-6174 FAX: (916) 386-8823

2441 W. CHARTER WAY STOCKTON, CA 95206
 PHONE: (209) 464-7696 FAX: (209) 464-6822

6'-0" x 9'-0" x 5'-0"
 AT&T MODULAR MANHOLE
 TUNNEL CENTER NO ACCESS

ISSUE DATE:	1/5/2009
AGENCY SERIES:	PTS-69
PART #:	6090-TC60-RP-AT



CUSTOMER SERVICE
 Order and delivery assistance
 (916) 386-6174
 pcservice@teichert.com

ENGINEERING/TECHNICAL SERVICE
 Technical assistance and on site support
 (916) 386-6177
 pcengineering@teichert.com

WEIGHT: 12,595 LBS



TEICHERT PRECAST PRODUCTS
 SACRAMENTO · STOCKTON
 WWW.TEICHERTPRECASTPRODUCTS.COM

8180 SIGNAL COURT SACRAMENTO, CA 95824
 PHONE: (916) 386-6174 FAX: (916) 386-8823

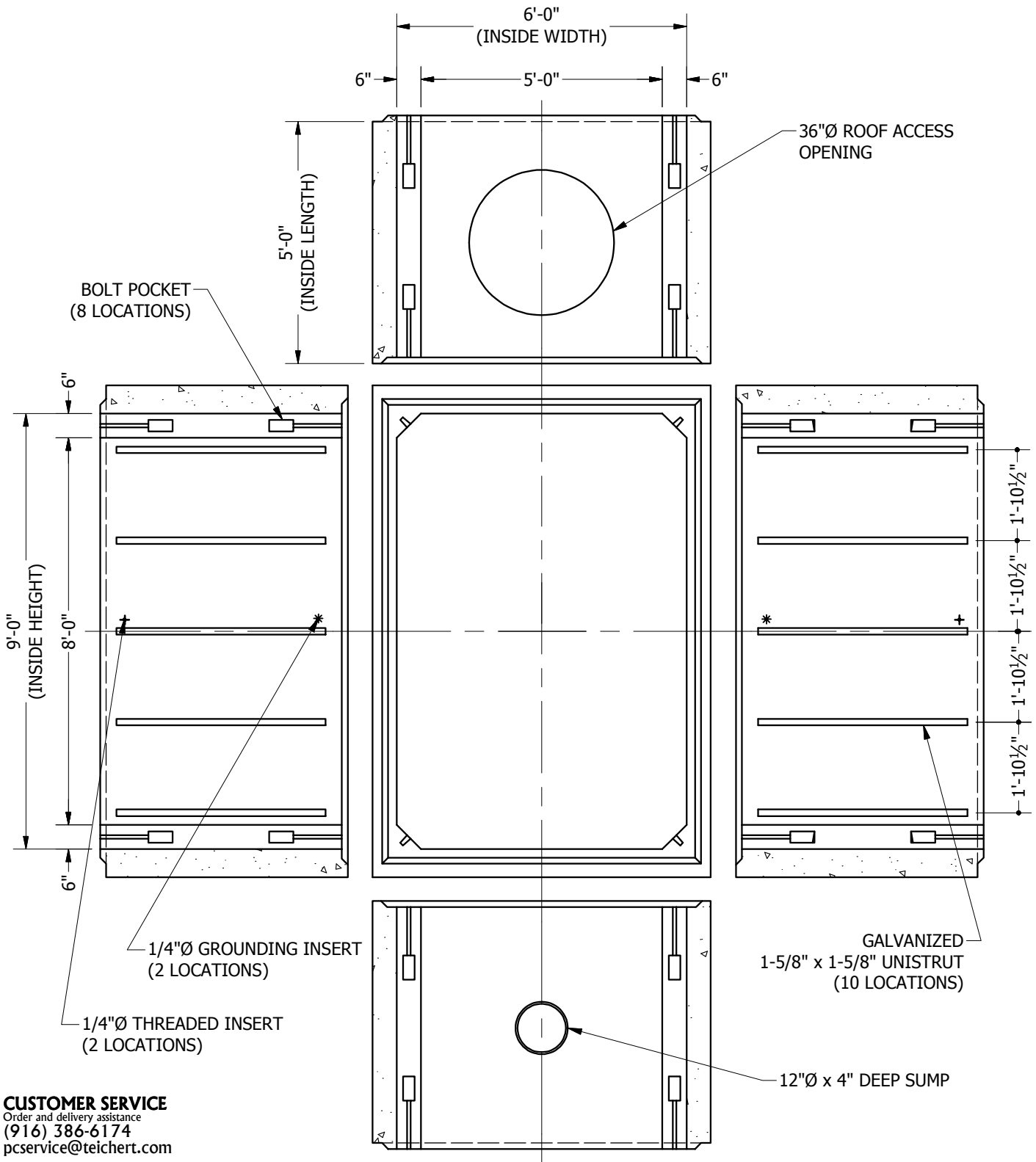
2441 W. CHARTER WAY STOCKTON, CA 95206
 PHONE: (209) 464-7696 FAX: (209) 464-6822

6'-0" x 9'-0" x 5'-0"
 AT&T MODULAR MANHOLE
 TUNNEL CENTER WITH ACCESS

ISSUE DATE: 1/5/2009

AGENCY SERIES: PTS-69

PART #: 6090-TC60A-RP-AT



CUSTOMER SERVICE
 Order and delivery assistance
 (916) 386-6174
 pcservice@teichert.com

ENGINEERING/TECHNICAL SERVICE
 Technical assistance and on site support
 (916) 386-6177
 pcengineering@teichert.com

**INSIDE FOLD OUT
 DETAILED VIEW**

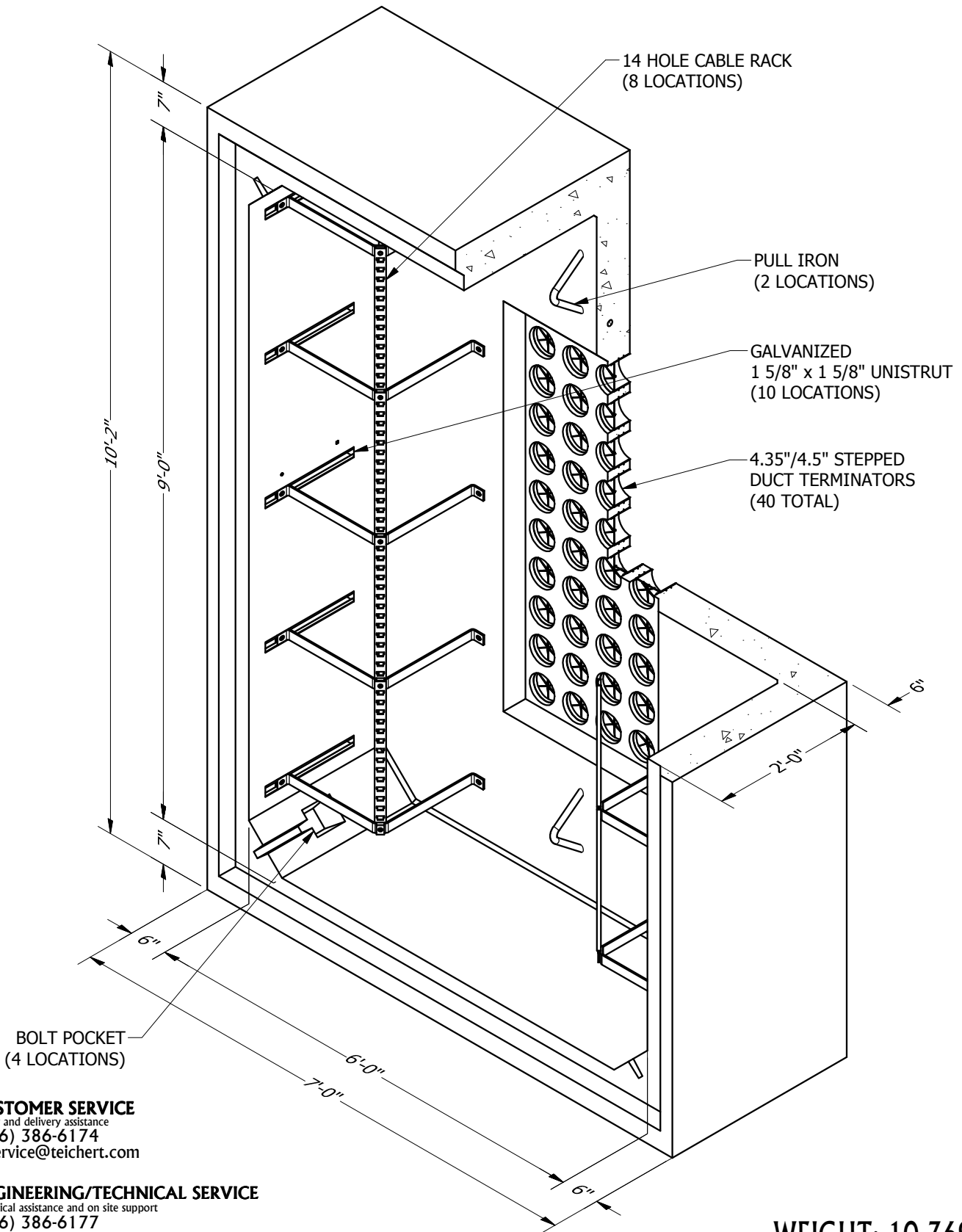
TEICHERT PRECAST PRODUCTS
 SACRAMENTO - STOCKTON
 WWW.TEICHERTPRECASTPRODUCTS.COM

8180 SIGNAL COURT SACRAMENTO, CA 95824
 PHONE: (916) 386-6174 FAX: (916) 386-8823

2441 W. CHARTER WAY STOCKTON, CA 95206
 PHONE: (209) 464-7696 FAX: (209) 464-6822

6'-0" x 9'-0" x 5'-0"
 AT&T MODULAR MANHOLE
 TUNNEL CENTER WITH ACCESS

ISSUE DATE:	1/5/2009
AGENCY SERIES:	PTS-69
PART #:	6090-TC60A-RP-AT



CUSTOMER SERVICE
Order and delivery assistance
(916) 386-6174
pcservice@teichert.com

ENGINEERING/TECHNICAL SERVICE
Technical assistance and on site support
(916) 386-6177
pcengineering@teichert.com

WEIGHT: 10,369 LBS



TEICHERT PRECAST PRODUCTS
SACRAMENTO - STOCKTON
WWW.TEICHERTPRECASTPRODUCTS.COM

8180 SIGNAL COURT SACRAMENTO, CA 95824
PHONE: (916) 386-6174 FAX: (916) 386-8823

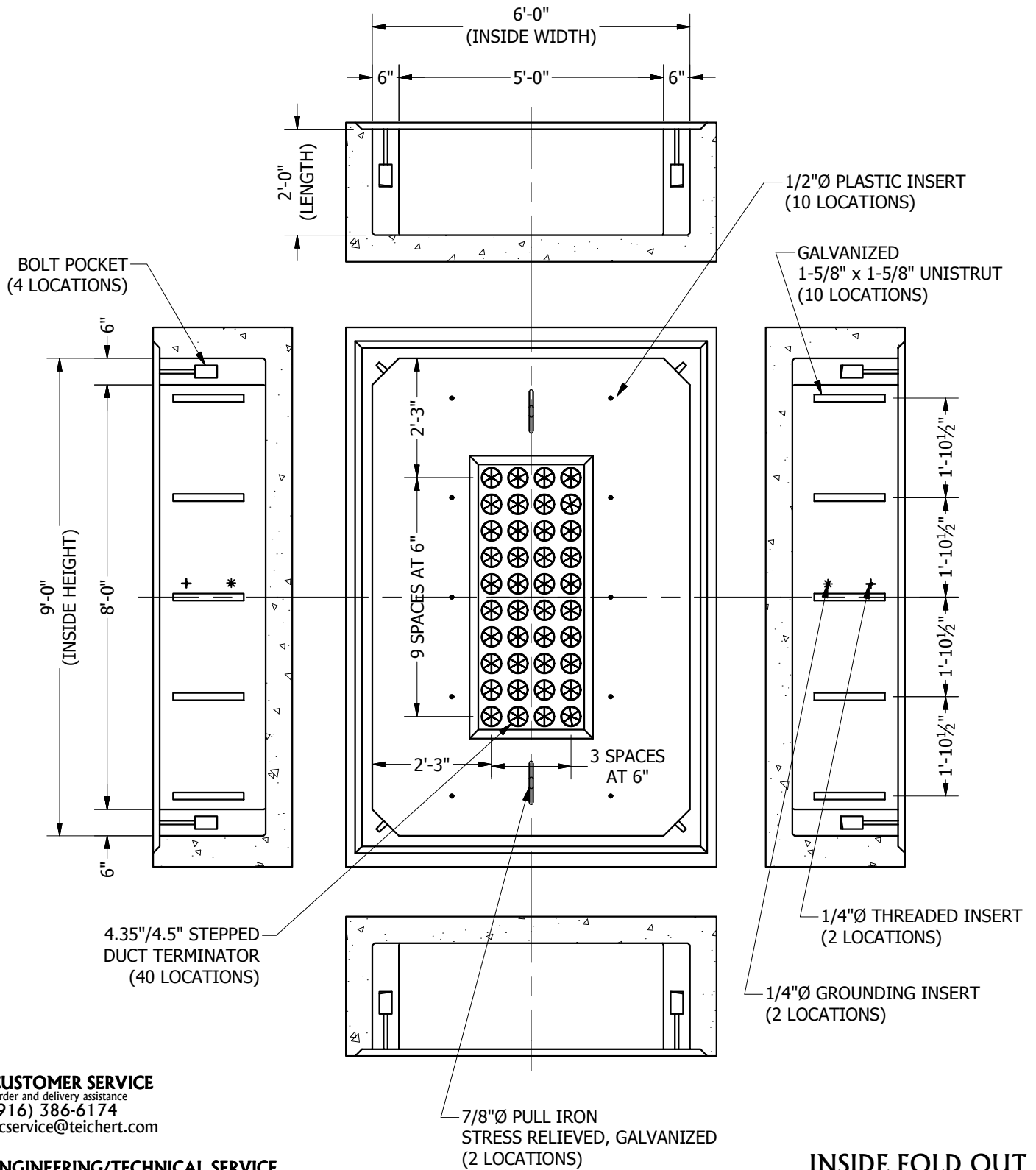
2441 W. CHARTER WAY STOCKTON, CA 95206
PHONE: (209) 464-7696 FAX: (209) 464-6822

6'-0" x 9'-0" x 2'-0"
AT&T MODULAR MANHOLE
FEMALE TUNNEL END CAP

ISSUE DATE: 1/5/2009

AGENCY SERIES: PTS-69

PART #: 6090-TE24F-RP-AT



**INSIDE FOLD OUT
DETAILED VIEW**

CUSTOMER SERVICE
Order and delivery assistance
(916) 386-6174
pcservice@teichert.com

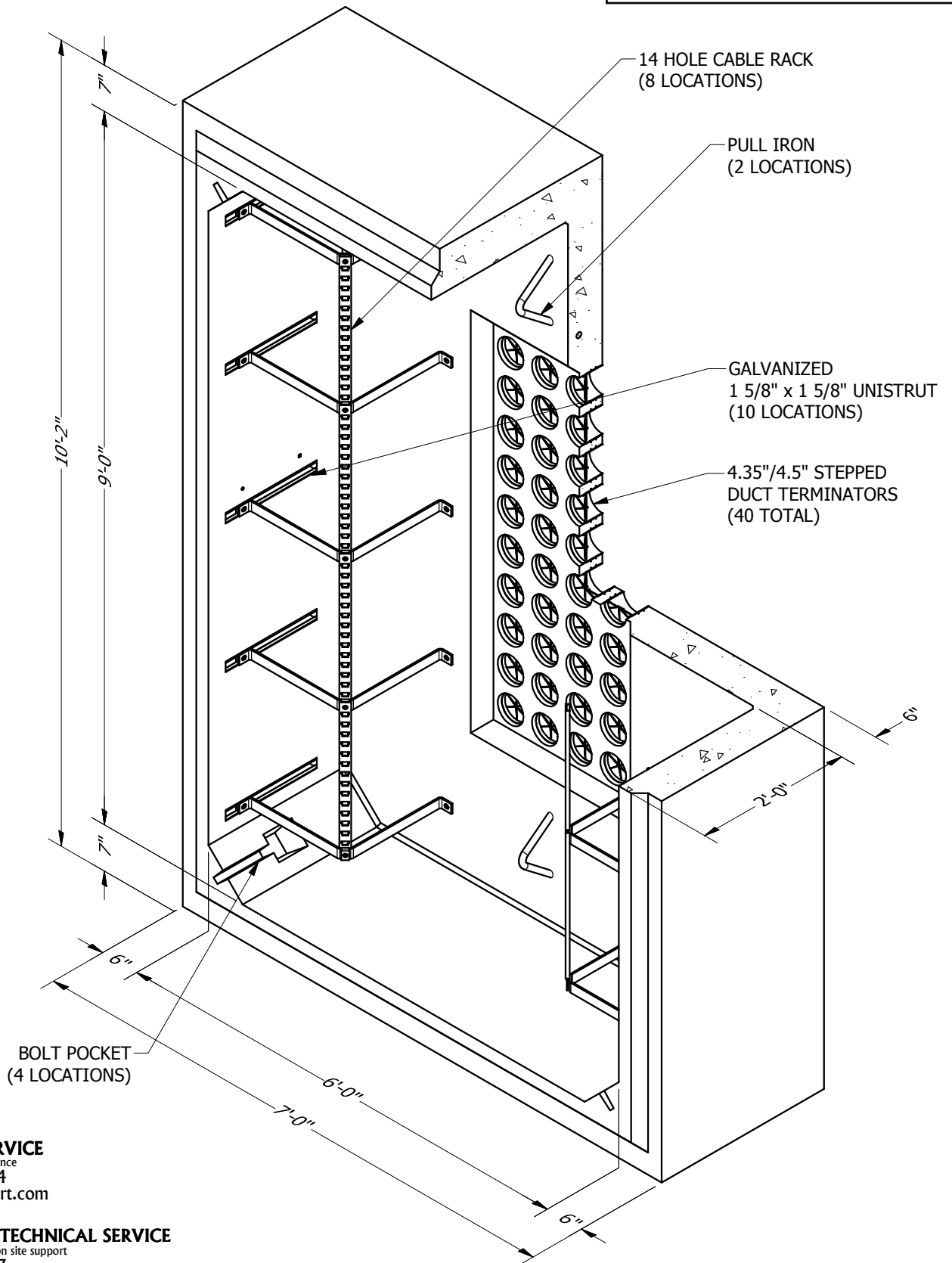
ENGINEERING/TECHNICAL SERVICE
Technical assistance and on site support
(916) 386-6177
pcengineering@teichert.com



TEICHERT PRECAST PRODUCTS
SACRAMENTO - STOCKTON
WWW.TEICHERTPRECASTPRODUCTS.COM
8180 SIGNAL COURT SACRAMENTO, CA 95824 2441 W. CHARTER WAY STOCKTON, CA 95206
PHONE: (916) 386-6174 FAX: (916) 386-8823 PHONE: (209) 464-7696 FAX: (209) 464-6822

6'-0" x 9'-0" x 2'-0"
AT&T MODULAR MANHOLE
FEMALE TUNNEL END CAP

ISSUE DATE: 1/5/2009
AGENCY SERIES: PTS-69
PART #: 6090-TE24F-RP-AT



CUSTOMER SERVICE
Order and delivery assistance
(916) 386-6174
pcservice@teichert.com

ENGINEERING/TECHNICAL SERVICE
Technical assistance and on site support
(916) 386-6177
pcengineering@teichert.com

WEIGHT: 10,016 LBS



TEICHERT PRECAST PRODUCTS
SACRAMENTO - STOCKTON
WWW.TEICHERTPRECASTPRODUCTS.COM

8180 SIGNAL COURT SACRAMENTO, CA 95824
PHONE: (916) 386-6174 FAX: (916) 386-8823

2441 W. CHARTER WAY STOCKTON, CA 95206
PHONE: (209) 464-7696 FAX: (209) 464-6822

6'-0" x 9'-0" x 2'-0"
AT&T MODULAR MANHOLE
MALE TUNNEL END CAP

ISSUE DATE:

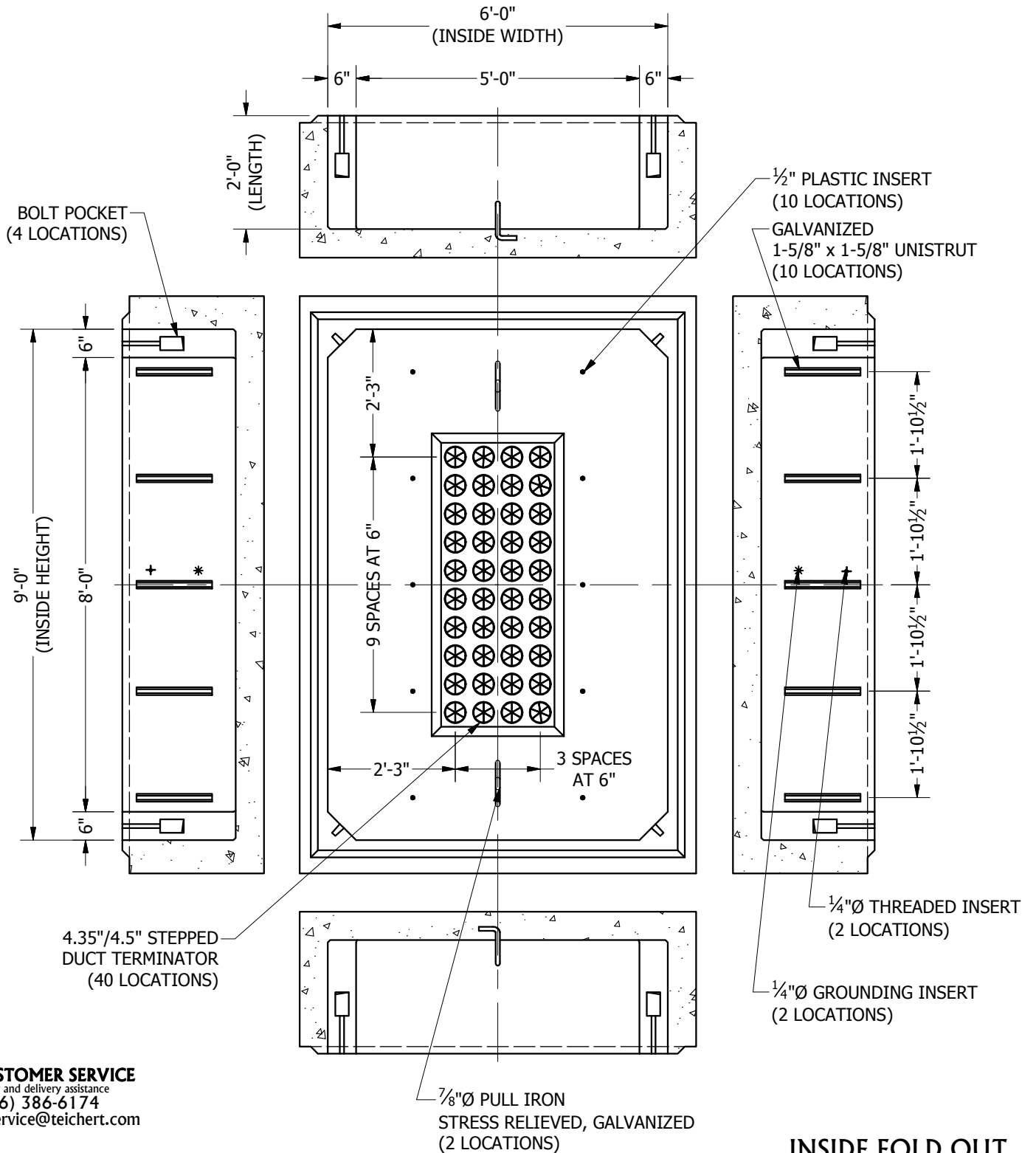
1/5/2009

AGENCY SERIES:

PTS-69

PART #:

6090-TE24M-RP-AT



**INSIDE FOLD OUT
DETAILED VIEW**

CUSTOMER SERVICE
Order and delivery assistance
(916) 386-6174
pcservice@teichert.com

ENGINEERING/TECHNICAL SERVICE
Technical assistance and on site support
(916) 386-6177
pcengineering@teichert.com



TEICHERT PRECAST PRODUCTS
SACRAMENTO - STOCKTON
WWW.TEICHERTPRECASTPRODUCTS.COM
8180 SIGNAL COURT SACRAMENTO, CA 95824 2441 W. CHARTER WAY STOCKTON, CA 95206
PHONE: (916) 386-6174 FAX: (916) 386-8823 PHONE: (209) 464-7696 FAX: (209) 464-6822

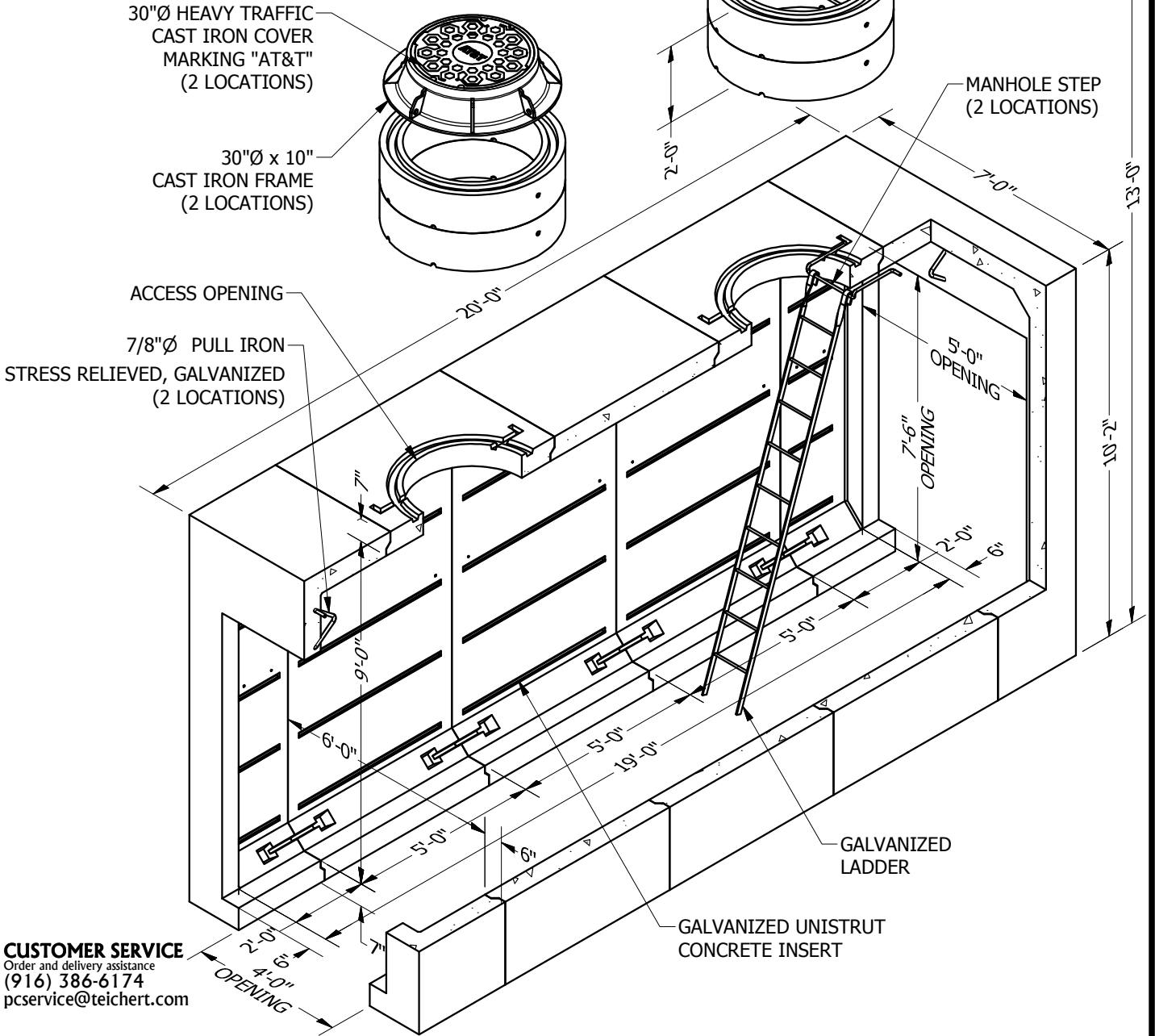
6'-0" x 9'-0" x 2'-0"
AT&T MODULAR MANHOLE
MALE TUNNEL END CAP

ISSUE DATE:	1/5/2009
AGENCY SERIES:	PTS-69
PART #:	6090-TE24M-RP-AT

MATERIAL LIST

AT&T PID: 000600205

PART NUM	DESCRIPTION	WEIGHT (LBS)
6090-INTC60-RP-AT	6'x9'x5' INTERCEPT CENTER WITH RACKING	11474
6090-INTC60A-RP-AT	6'x9'x5' INTERCEPT CENTER WITH ACCESS AND RACKING	10822
6090-INTE24F-RP-AT	6'x9'x2' INTERCEPT END WITH RACKING - FEMALE KEY	7064
6090-INTE24M-RP-AT	6'x9'x2' INTERCEPT END WITH RACKING - MALE KEY	6759
0360-E12	36" x 12" GRADE RING	812
RACLADS1	GALVANIZED MANHOLE STEP	7
RACLAD10	10'-0" GALVANIZED MANHOLE LADDER	49
CIA-1133F	30"x10" HEAVY TRAFFIC CAST IRON FRAME	359
CIA-1134C-AT	30" HEAVY TRAFFIC CAST IRON COVER - AT	302



CUSTOMER SERVICE
 Order and delivery assistance
 (916) 386-6174
 pcservice@teichert.com

ENGINEERING/TECHNICAL SERVICE
 Technical assistance and on site support
 (916) 386-6177
 pceengineering@teichert.com

RACKING AND CLOSURE POUR REINFORCING NOT SHOWN FOR CLARITY. PLEASE REFER TO INDIVIDUAL COMPONENT DRAWINGS.

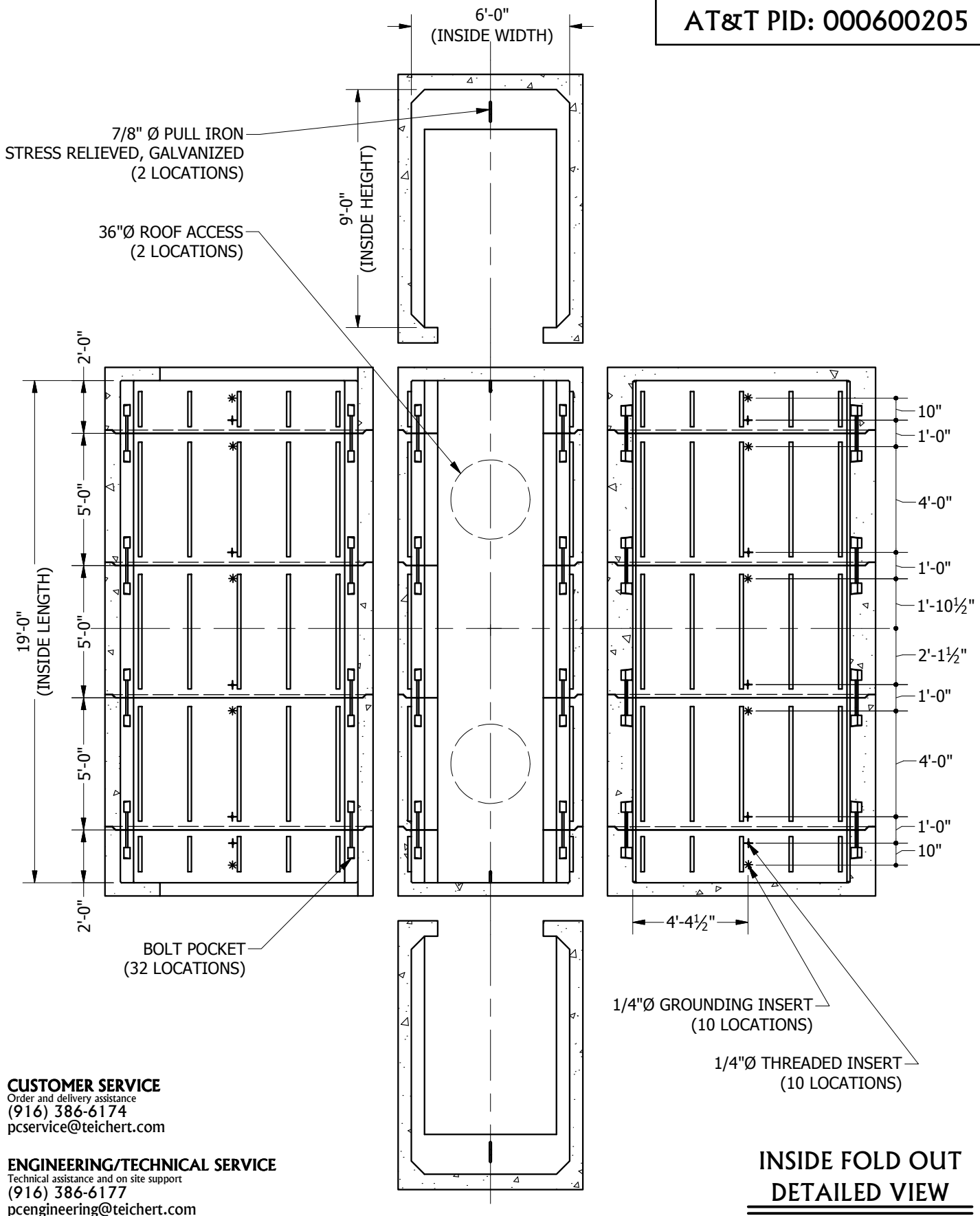


TEICHERT PRECAST PRODUCTS
 SACRAMENTO · STOCKTON
WWW.TEICHERTPRECASTPRODUCTS.COM
 8180 SIGNAL COURT SACRAMENTO, CA 95824 2441 W. CHARTER WAY STOCKTON, CA 95206
 PHONE: (916) 386-6174 FAX: (916) 386-8823 PHONE: (209) 464-7696 FAX: (209) 464-6822

6'-0" x 9'-0" x 19'-0" INTERCEPT
 AT&T MODULAR MANHOLE
 TRAFFIC RATED TUNNEL

ISSUE DATE: 1/5/2009
 AGENCY SERIES: PTS-69
 PART #: ASY-6090-INT19-HT-AT

AT&T PID: 000600205



CUSTOMER SERVICE
 Order and delivery assistance
 (916) 386-6174
 pcservice@teichert.com

ENGINEERING/TECHNICAL SERVICE
 Technical assistance and on site support
 (916) 386-6177
 pcengineering@teichert.com

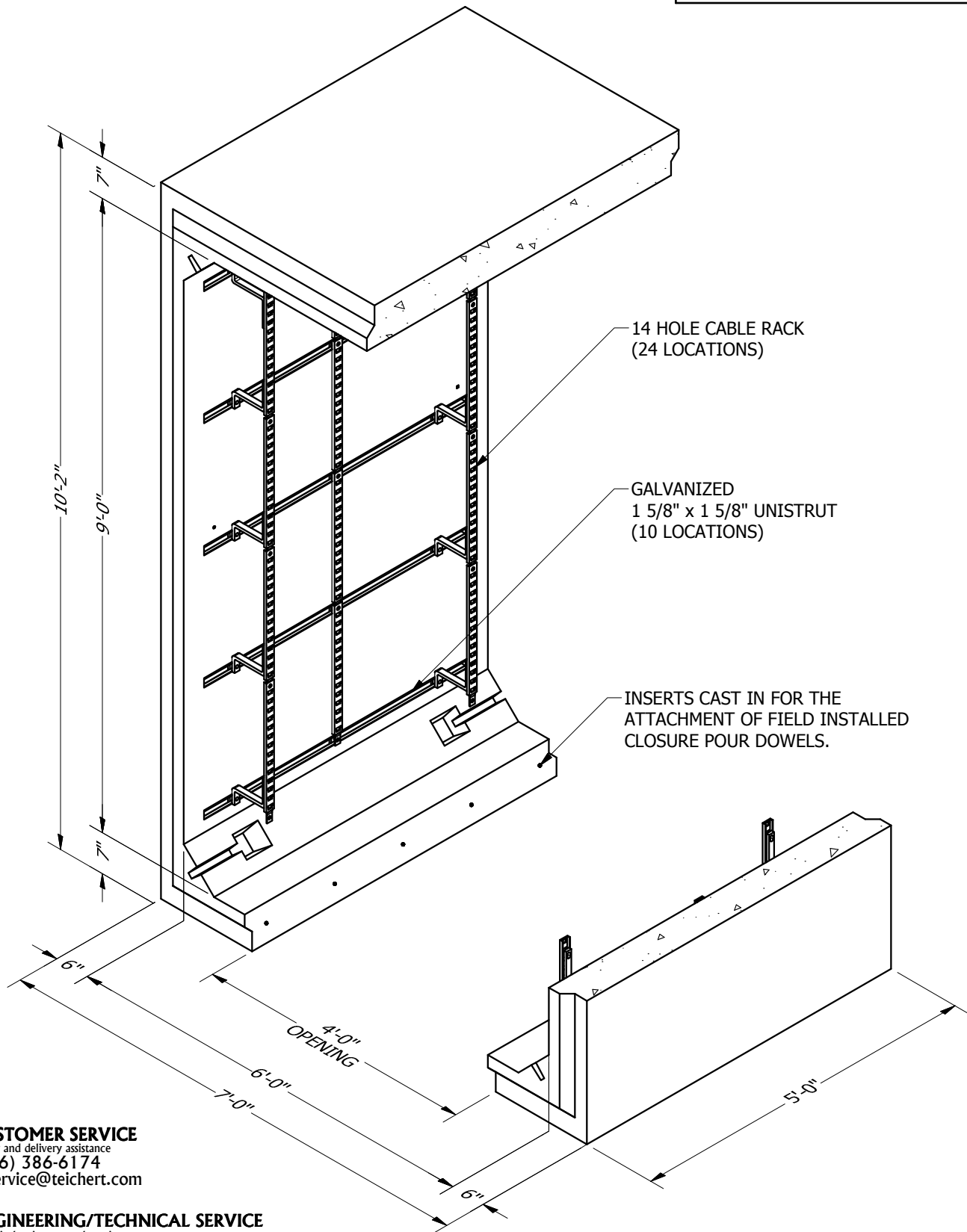


TEICHERT PRECAST PRODUCTS
 SACRAMENTO · STOCKTON
 WWW.TEICHERTPRECASTPRODUCTS.COM

8180 SIGNAL COURT SACRAMENTO, CA 95824 2441 W. CHARTER WAY STOCKTON, CA 95206
 PHONE: (916) 386-6174 FAX: (916) 386-8823 PHONE: (209) 464-7696 FAX: (209) 464-6822

6'-0" x 9'-0" x 19'-0" INTERCEPT
 AT&T MODULAR MANHOLE
 TRAFFIC RATED TUNNEL

ISSUE DATE: 1/5/2009
 AGENCY SERIES: PTS-69
 PART #: ASY-6090-INT19-HT-AT



CUSTOMER SERVICE
 Order and delivery assistance
 (916) 386-6174
 pcservice@teichert.com

ENGINEERING/TECHNICAL SERVICE
 Technical assistance and on site support
 (916) 386-6177
 pcengineering@teichert.com

WEIGHT: 11,536 LBS



TEICHERT PRECAST PRODUCTS
 SACRAMENTO · STOCKTON
 WWW.TEICHERTPRECASTPRODUCTS.COM

8180 SIGNAL COURT SACRAMENTO, CA 95824
 PHONE: (916) 386-6174 FAX: (916) 386-8823

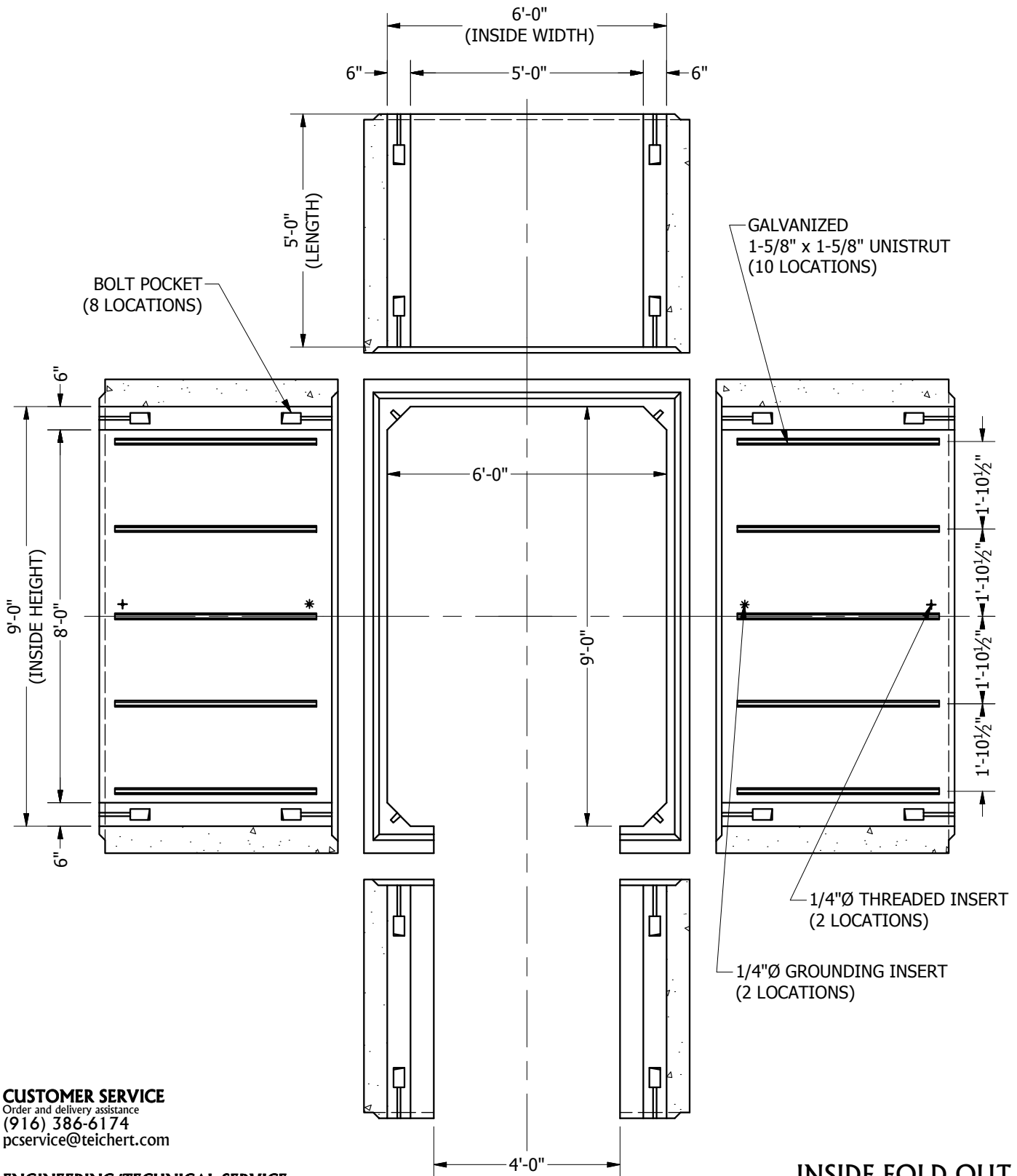
2441 W. CHARTER WAY STOCKTON, CA 95206
 PHONE: (209) 464-7696 FAX: (209) 464-6822

6'-0" x 9'-0" x 5'-0" INTERCEPT
 AT&T MODULAR MANHOLE
 TUNNEL CENTER NO ACCESS

ISSUE DATE: 1/5/2009

AGENCY SERIES: PTS-69

PART #: 6090-INTC60-RP-AT



**INSIDE FOLD OUT
DETAILED VIEW**

CUSTOMER SERVICE
Order and delivery assistance
(916) 386-6174
pcservice@teichert.com

ENGINEERING/TECHNICAL SERVICE
Technical assistance and on site support
(916) 386-6177
pcengineering@teichert.com



TEICHERT PRECAST PRODUCTS
SACRAMENTO · STOCKTON
WWW.TEICHERTPRECASTPRODUCTS.COM

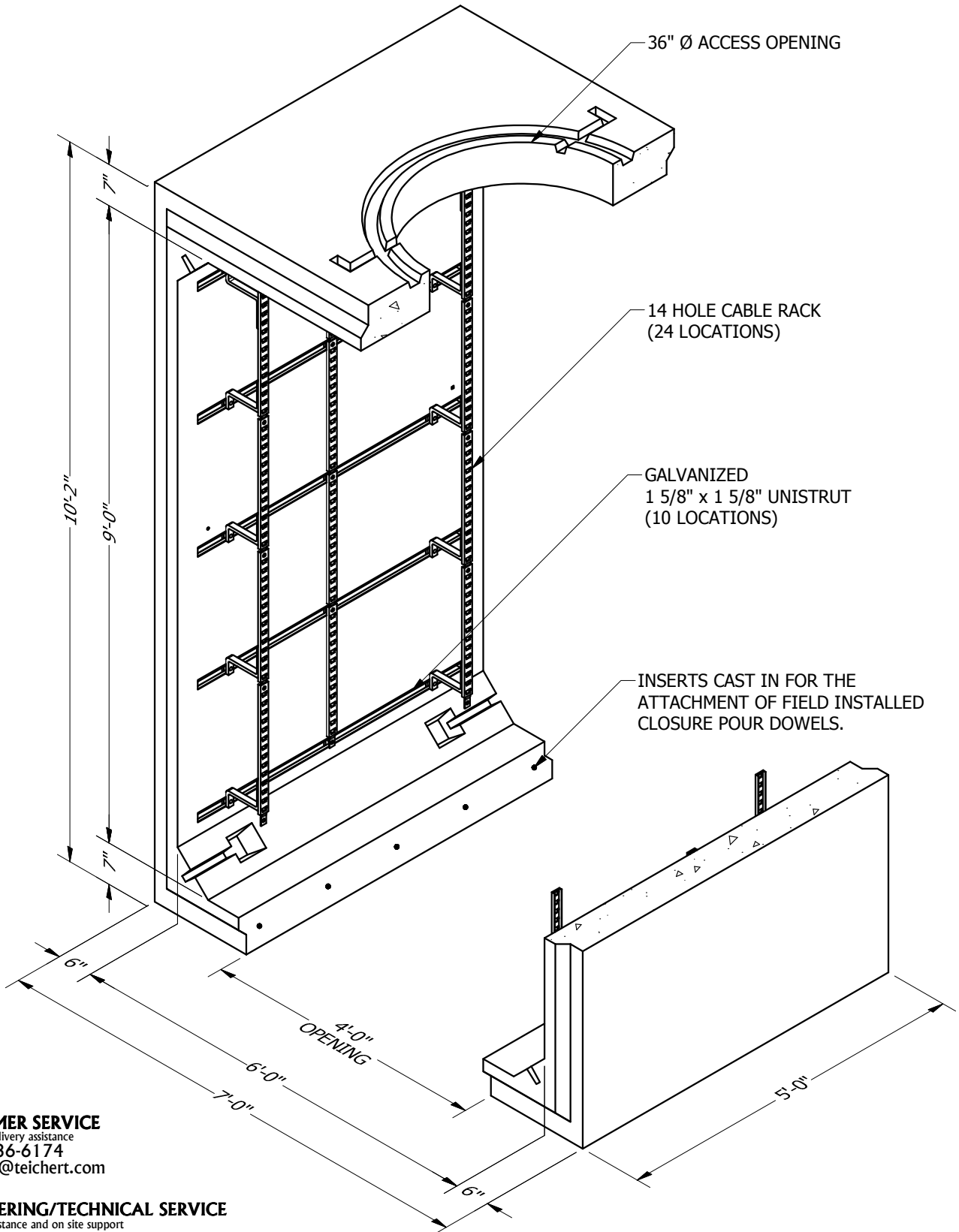
8180 SIGNAL COURT SACRAMENTO, CA 95824 2441 W. CHARTER WAY STOCKTON, CA 95206
PHONE: (916) 386-6174 FAX: (916) 386-8823 PHONE: (209) 464-7696 FAX: (209) 464-6822

6'-0" x 9'-0" x 5'-0" INTERCEPT
AT&T MODULAR MANHOLE
TUNNEL CENTER NO ACCESS

ISSUE DATE: 1/5/2009

AGENCY SERIES: PTS-69

PART #: 6090-INTC60-RP-AT



CUSTOMER SERVICE
 Order and delivery assistance
 (916) 386-6174
 pcservice@teichert.com

ENGINEERING/TECHNICAL SERVICE
 Technical assistance and on site support
 (916) 386-6177
 pcengineering@teichert.com

WEIGHT: 10,883 LBS



TEICHERT PRECAST PRODUCTS
 SACRAMENTO · STOCKTON
WWW.TEICHERTPRECASTPRODUCTS.COM

8180 SIGNAL COURT SACRAMENTO, CA 95824
 PHONE: (916) 386-6174 FAX: (916) 386-8823

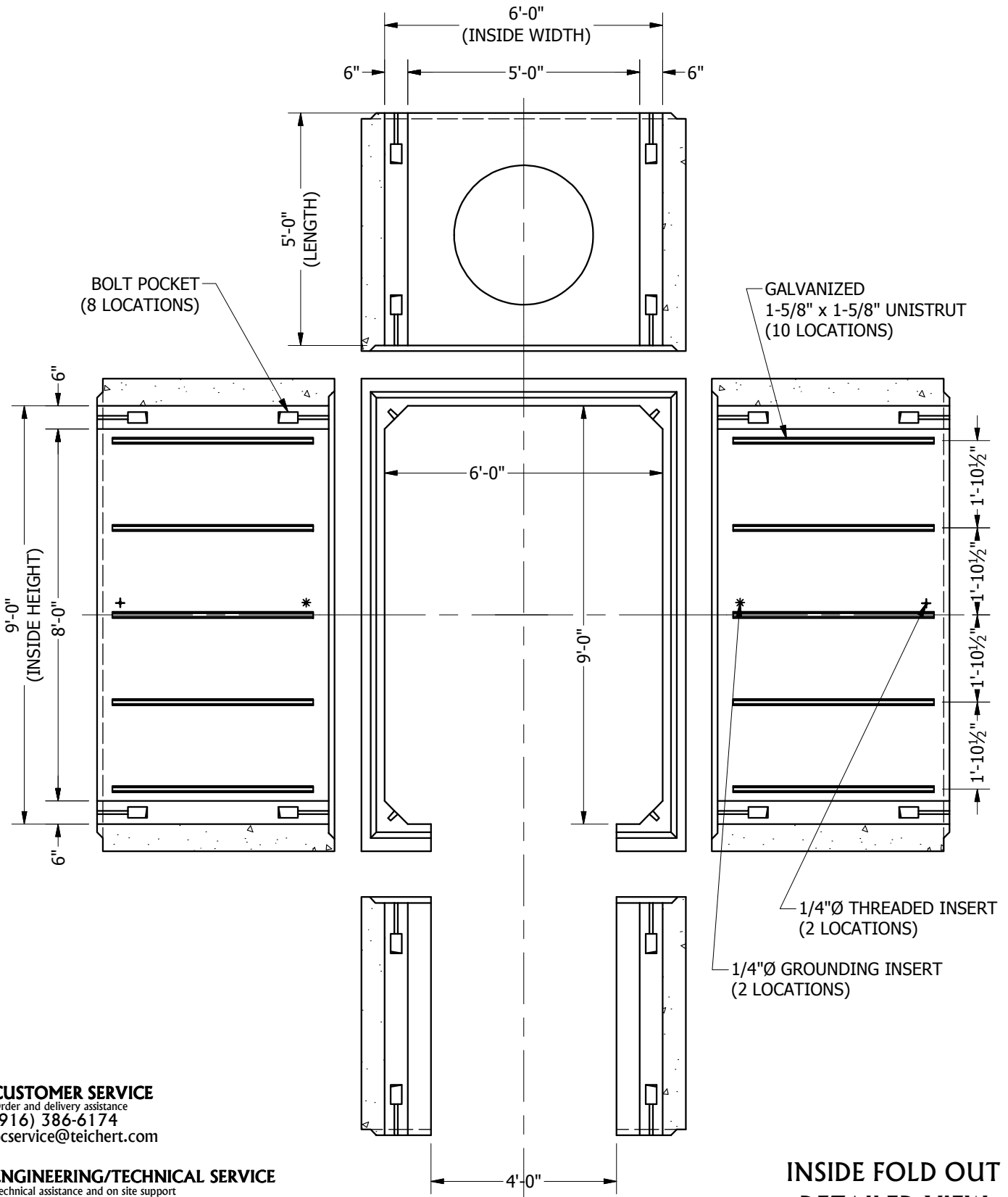
2441 W. CHARTER WAY STOCKTON, CA 95206
 PHONE: (209) 464-7696 FAX: (209) 464-6822

6'-0" x 9'-0" x 5'-0" INTERCEPT
 AT&T MODULAR MANHOLE
 TUNNEL CENTER WITH ACCESS

ISSUE DATE: 1/5/2009

AGENCY SERIES: PTS-69

PART #: 6090-INTC60A-RP-AT



CUSTOMER SERVICE
Order and delivery assistance
(916) 386-6174
pcservice@teichert.com

ENGINEERING/TECHNICAL SERVICE
Technical assistance and on site support
(916) 386-6177
pcengineering@teichert.com



TEICHERT PRECAST PRODUCTS
SACRAMENTO · STOCKTON
WWW.TEICHERTPRECASTPRODUCTS.COM

8180 SIGNAL COURT SACRAMENTO, CA 95824
PHONE: (916) 386-6174 FAX: (916) 386-8823

2441 W. CHARTER WAY STOCKTON, CA 95206
PHONE: (209) 464-7696 FAX: (209) 464-6822

6'-0" x 9'-0" x 5'-0" INTERCEPT
AT&T MODULAR MANHOLE
TUNNEL CENTER WITH ACCESS

ISSUE DATE:

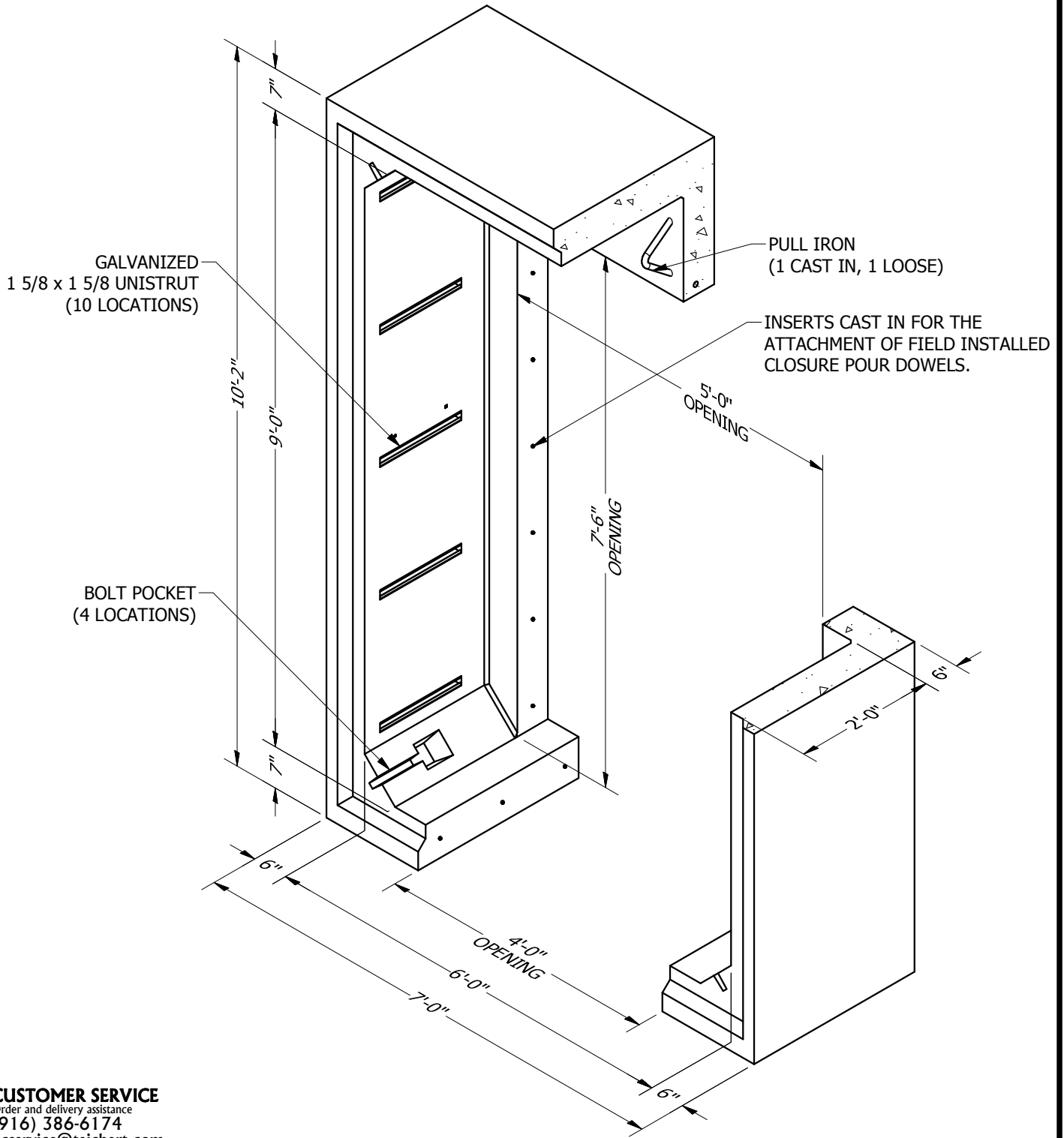
1/5/2009

AGENCY SERIES:

PTS-69

PART #:

6090-INTC60A-RP-AT



CUSTOMER SERVICE
 Order and delivery assistance
 (916) 386-6174
 pcservice@teichert.com

ENGINEERING/TECHNICAL SERVICE
 Technical assistance and on site support
 (916) 386-6177
 pceengineering@teichert.com

WEIGHT: 7099 LBS



TEICHERT PRECAST PRODUCTS
 SACRAMENTO · STOCKTON
 WWW.TEICHERTPRECASTPRODUCTS.COM

8180 SIGNAL COURT SACRAMENTO, CA 95824
 PHONE: (916) 386-6174 FAX: (916) 386-8823

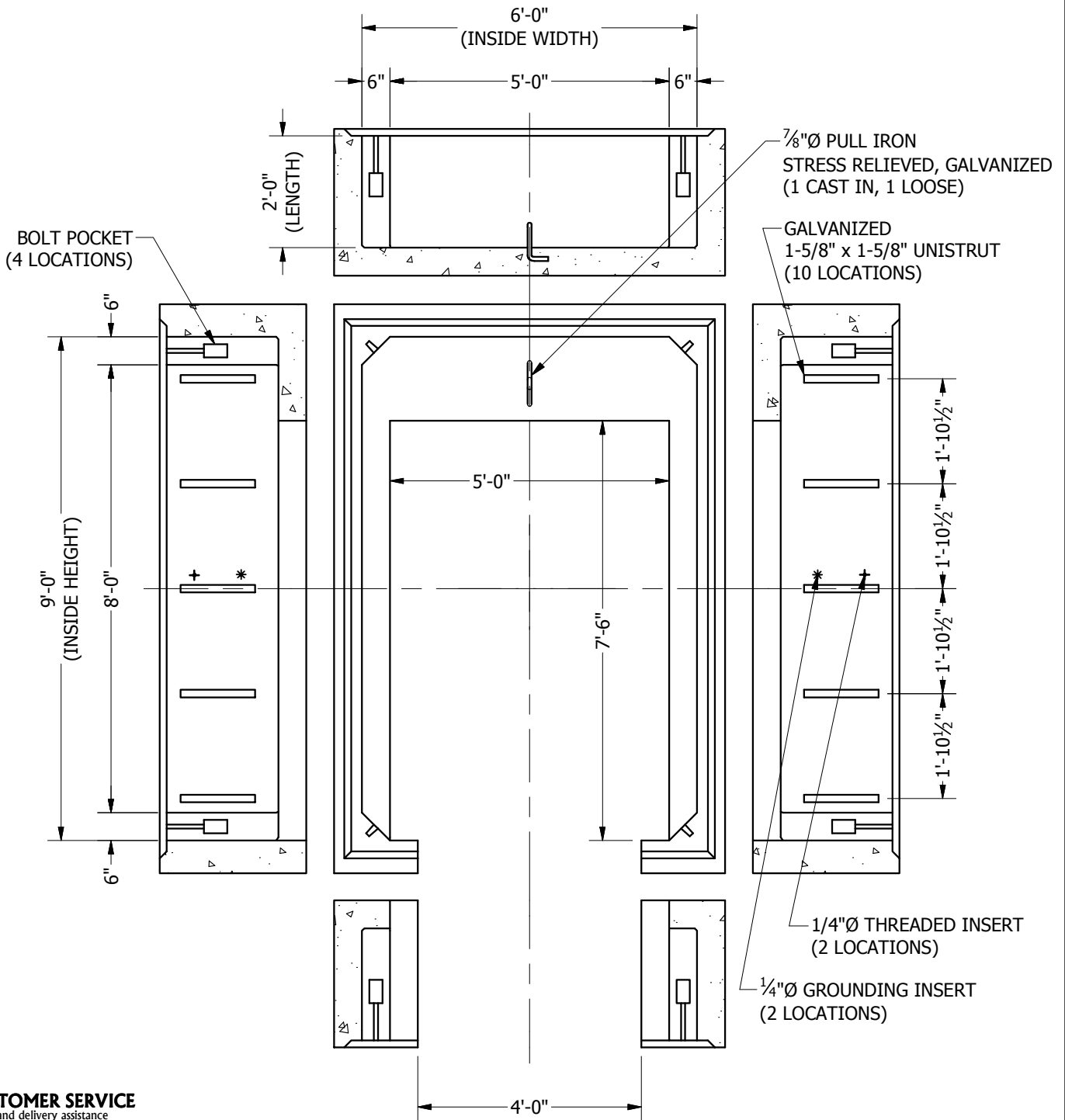
2441 W. CHARTER WAY STOCKTON, CA 95206
 PHONE: (209) 464-7696 FAX: (209) 464-6822

6'-0" x 9'-0" x 2'-0" INTERCEPT
 AT&T MODULAR MANHOLE
 FEMALE TUNNEL END CAP

ISSUE DATE: 1/5/2009

AGENCY SERIES: PTS-69

PART #: 6090-INTE24F-RP-AT



**INSIDE FOLD OUT
DETAILED VIEW**

CUSTOMER SERVICE

Order and delivery assistance
(916) 386-6174
pcservice@teichert.com

ENGINEERING/TECHNICAL SERVICE

Technical assistance and on site support
(916) 386-6177
pcengineering@teichert.com



TEICHERT PRECAST PRODUCTS

SACRAMENTO · STOCKTON
WWW.TEICHERTPRECASTPRODUCTS.COM

8180 SIGNAL COURT SACRAMENTO, CA 95824 2441 W. CHARTER WAY STOCKTON, CA 95206
PHONE: (916) 386-6174 FAX: (916) 386-8823 PHONE: (209) 464-7696 FAX: (209) 464-6822

6'-0" x 9'-0" x 2'-0" INTERCEPT
AT&T MODULAR MANHOLE
FEMALE TUNNEL END CAP

ISSUE DATE:

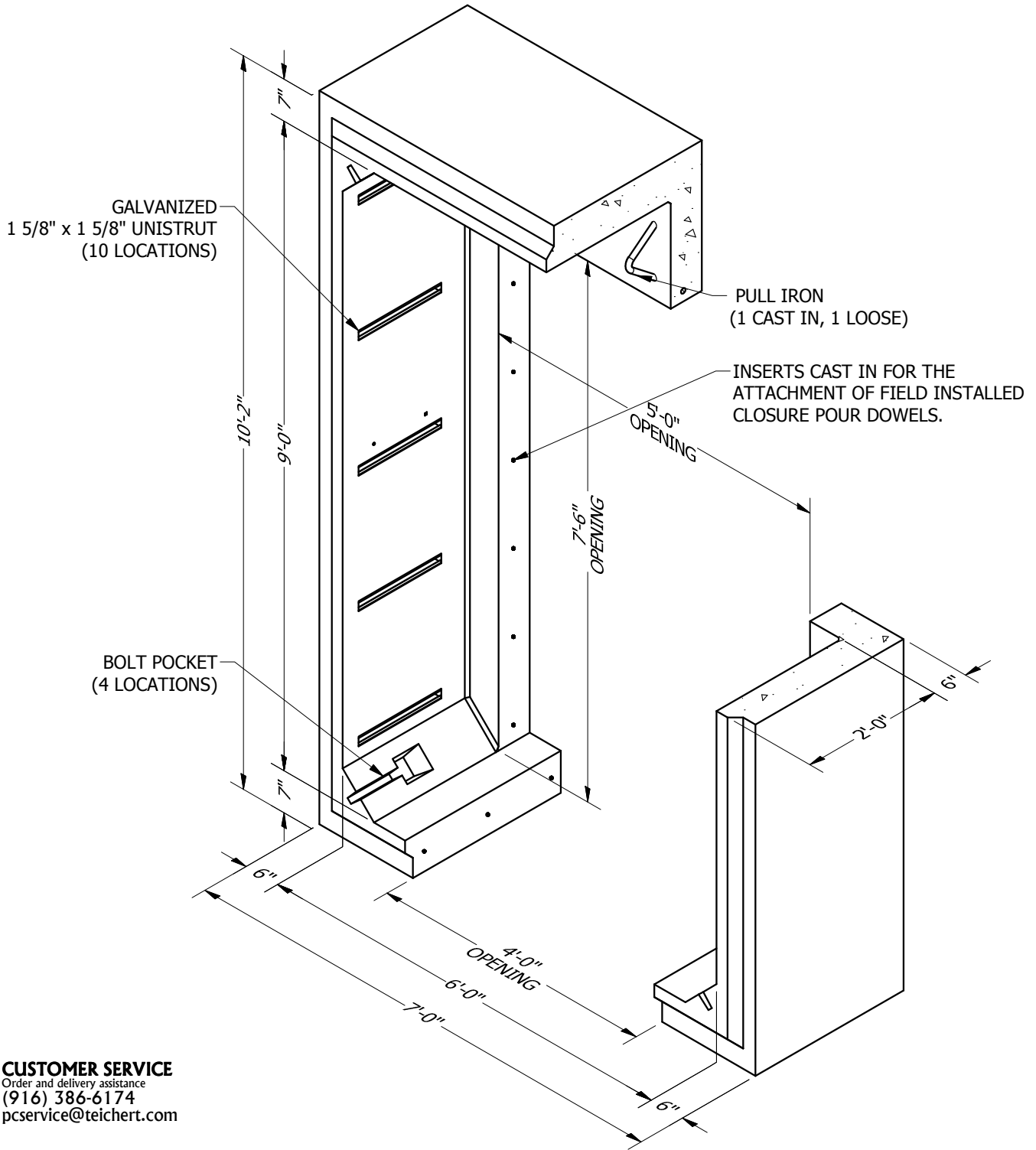
1/5/2009

AGENCY SERIES:

PTS-69

PART #:

6090-INTE24F-RP-AT



CUSTOMER SERVICE
 Order and delivery assistance
 (916) 386-6174
 pcservice@teichert.com

ENGINEERING/TECHNICAL SERVICE
 Technical assistance and on site support
 (916) 386-6177
 pceengineering@teichert.com

WEIGHT: 6794 LBS

ISSUE DATE:	1/5/2009
AGENCY SERIES:	PTS-69
PART #:	6090-INTE24M-RP-AT

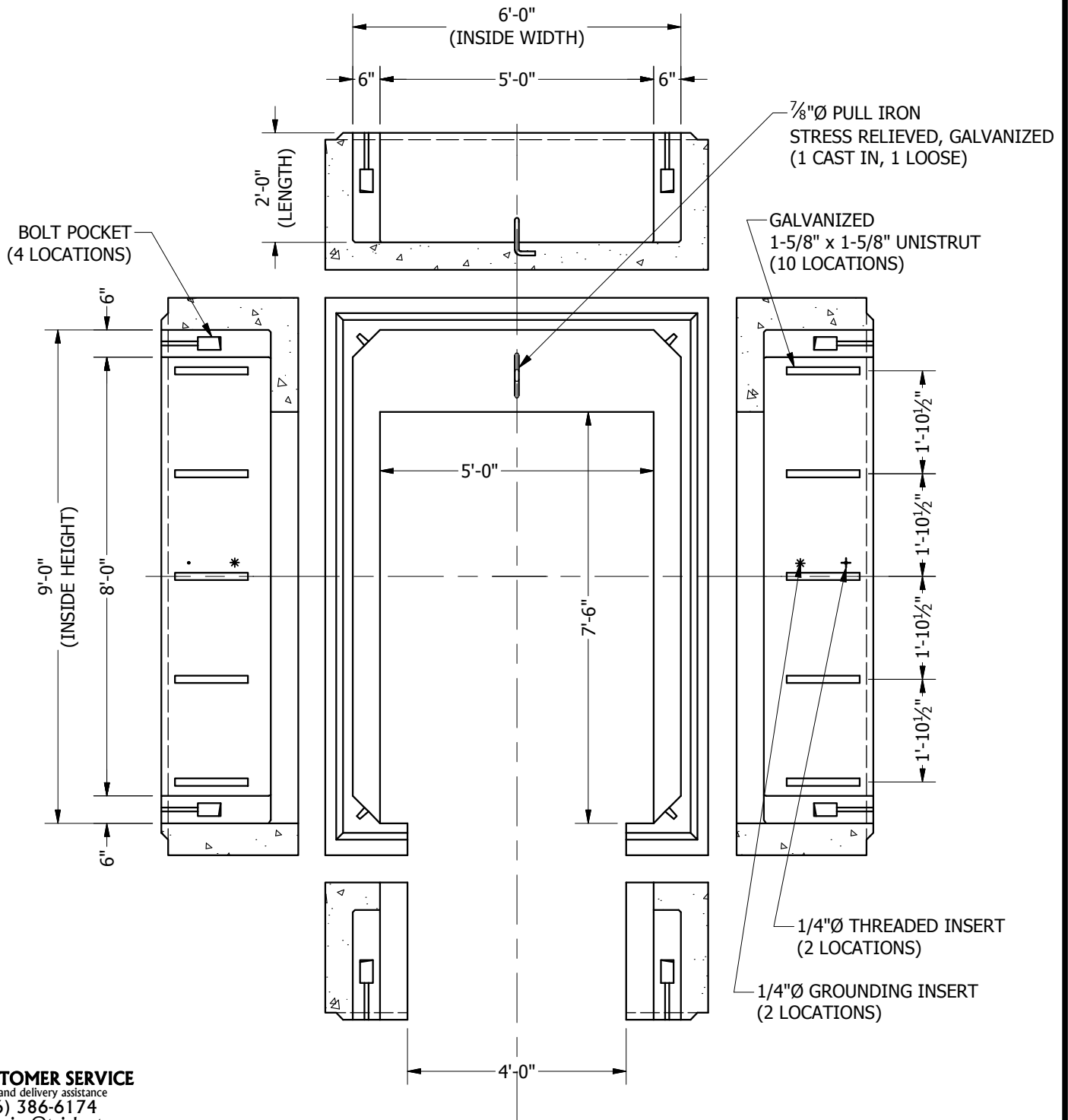


TEICHERT PRECAST PRODUCTS
 SACRAMENTO · STOCKTON
 WWW.TEICHERTPRECASTPRODUCTS.COM

8180 SIGNAL COURT SACRAMENTO, CA 95824
 PHONE: (916) 386-6174 FAX: (916) 386-8823

2441 W. CHARTER WAY STOCKTON, CA 95206
 PHONE: (209) 464-7696 FAX: (209) 464-6822

6'-0" x 9'-0" x 2'-0" INTERCEPT
 AT&T MODULAR MANHOLE
 MALE TUNNEL END CAP



**INSIDE FOLD OUT
DETAILED VIEW**

CUSTOMER SERVICE
Order and delivery assistance
(916) 386-6174
pcservice@teichert.com

ENGINEERING/TECHNICAL SERVICE
Technical assistance and on site support
(916) 386-6177
pcengineering@teichert.com

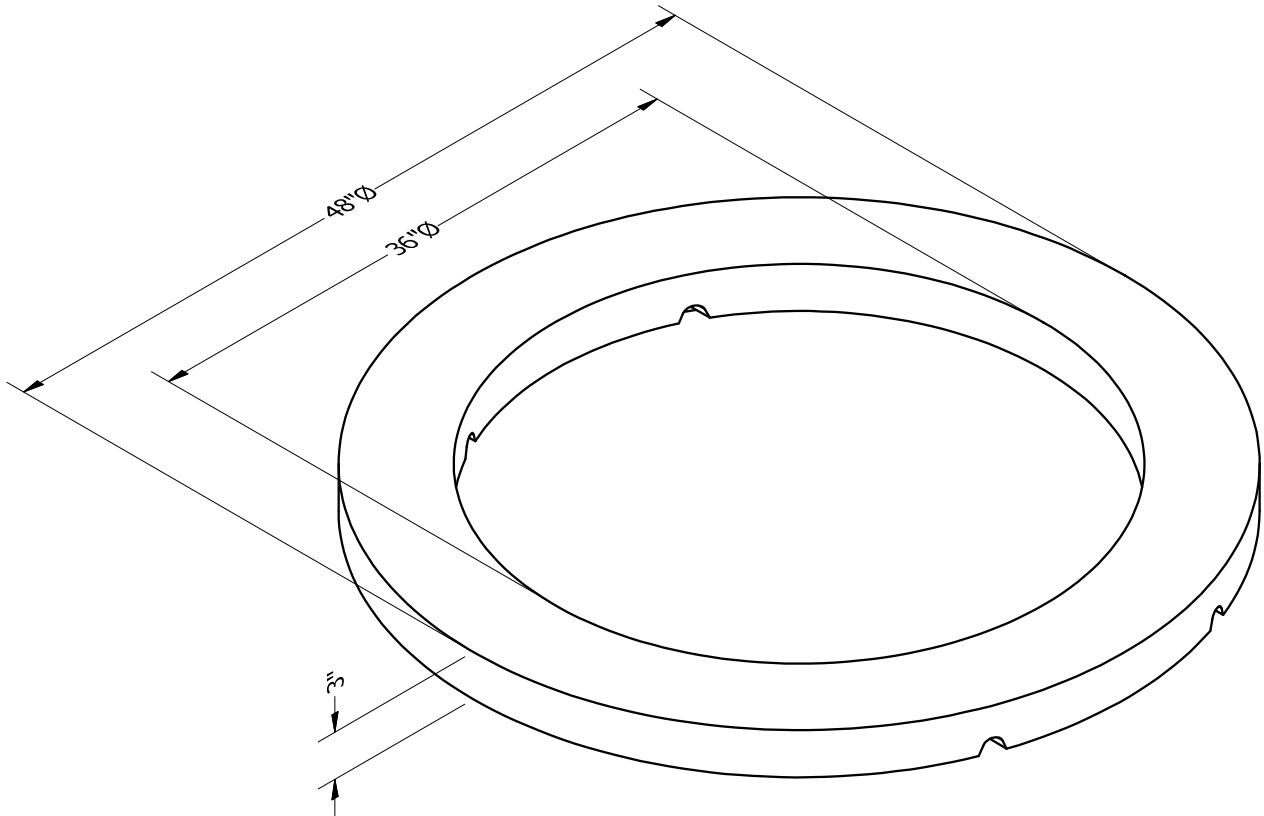


TEICHERT PRECAST PRODUCTS
SACRAMENTO · STOCKTON
WWW.TEICHERTPRECASTPRODUCTS.COM

8180 SIGNAL COURT SACRAMENTO, CA 95824 2441 W. CHARTER WAY STOCKTON, CA 95206
PHONE: (916) 386-6174 FAX: (916) 386-8823 PHONE: (209) 464-7696 FAX: (209) 464-6822

6'-0" x 9'-0" x 2'-0" INTERCEPT
AT&T MODULAR MANHOLE
MALE TUNNEL END CAP

ISSUE DATE:	1/5/2009
AGENCY SERIES:	PTS-69
PART #:	6090-INTE24M-RP-AT



CUSTOMER SERVICE
Order and delivery assistance
(916) 386-6174
pcservice@teichert.com

ENGINEERING/TECHNICAL SERVICE
Technical assistance and on site support
(916) 386-6177
pcengineering@teichert.com

WEIGHT: 225 LBS



TEICHERT PRECAST PRODUCTS
SACRAMENTO · STOCKTON
WWW.TEICHERTPRECASTPRODUCTS.COM

8180 SIGNAL COURT SACRAMENTO, CA 95824
PHONE: (916) 386-6174 FAX: (916) 386-8823

2441 W. CHARTER WAY STOCKTON, CA 95206
PHONE: (209) 464-7696 FAX: (209) 464-6822

36" INSIDE DIAMETER x 3"
AT&T MANHOLE
GRADE RING

ISSUE DATE: 1/5/2009

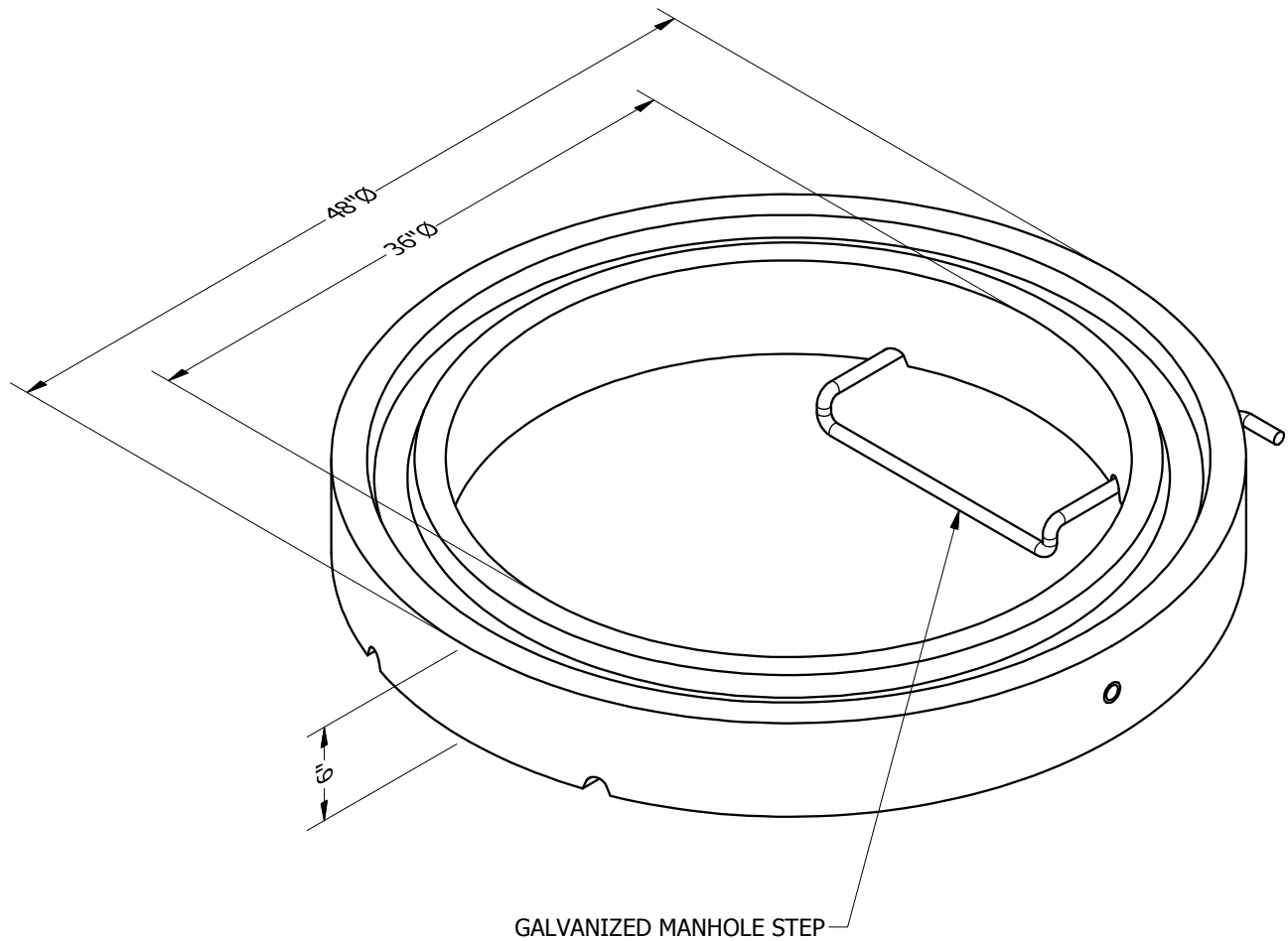
AGENCY SERIES:

PART #: 0360-E03

MATERIAL LIST

AT&T PID: 000602409

PART NUM	DESCRIPTION	WEIGHT (LBS)
0360-E12	36" x 12" GRADE RING	399
RACLADS1	GALVANIZED MANHOLE STEP	7



CUSTOMER SERVICE
 Order and delivery assistance
 (916) 386-6174
 pcservice@teichert.com

ENGINEERING/TECHNICAL SERVICE
 Technical assistance and on site support
 (916) 386-6177
 pceengineering@teichert.com



TEICHERT PRECAST PRODUCTS
 SACRAMENTO · STOCKTON
WWW.TEICHERTPRECASTPRODUCTS.COM

8180 SIGNAL COURT SACRAMENTO, CA 95824
 PHONE: (916) 386-6174 FAX: (916) 386-8823

2441 W. CHARTER WAY STOCKTON, CA 95206
 PHONE: (209) 464-7696 FAX: (209) 464-6822

36" INSIDE DIAMETER x 6"
 AT&T MANHOLE
 GRADE RING

ISSUE DATE: 1/5/2009

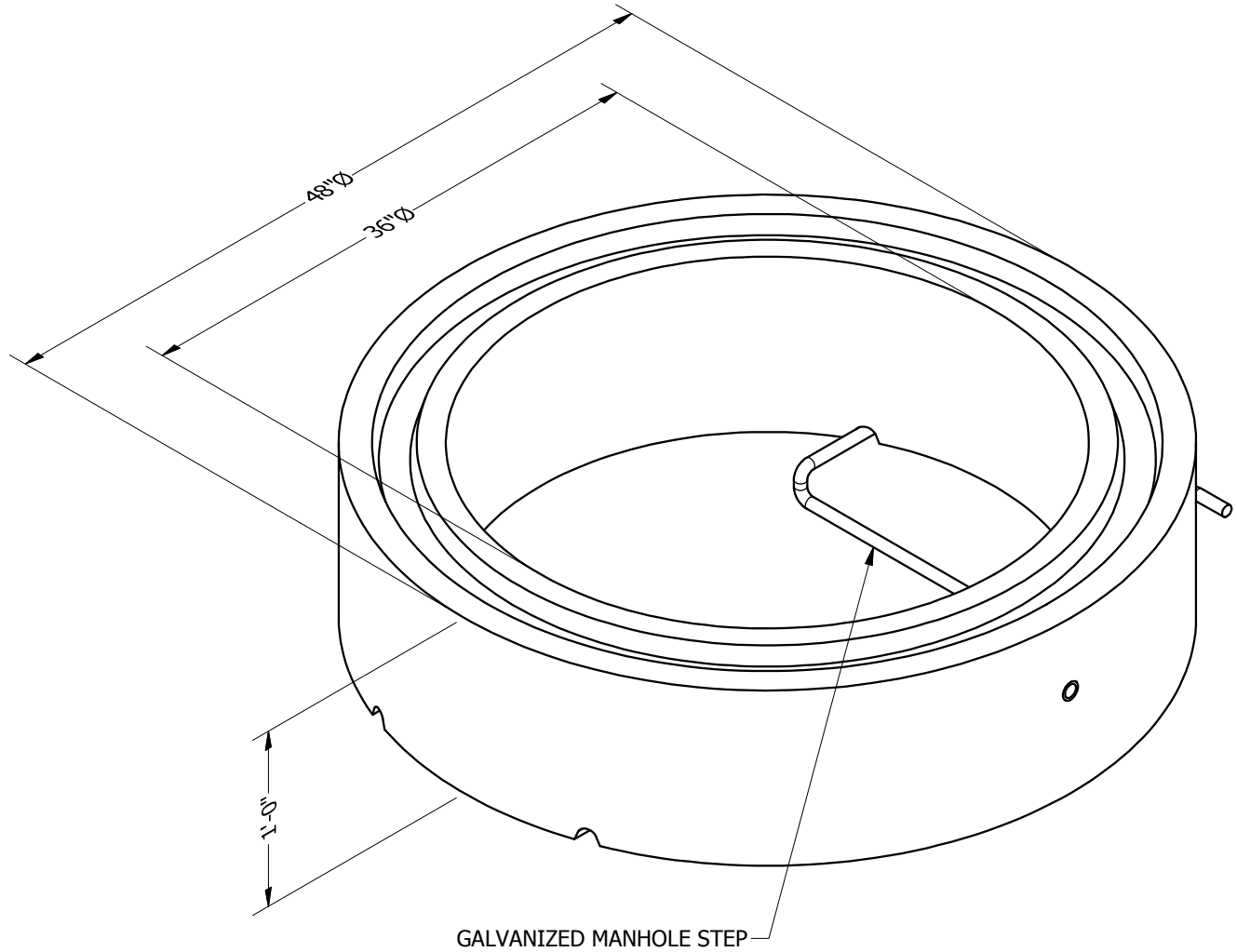
AGENCY SERIES:

PART #:

ASY-0360-E06-AT

MATERIAL LIST

PART NUM	DESCRIPTION	WEIGHT (LBS)
0360-E12	36" x 12" GRADE RING	812
RACLADS1	GALVANIZED MANHOLE STEP	7



CUSTOMER SERVICE
 Order and delivery assistance
 (916) 386-6174
 pcservice@teichert.com

ENGINEERING/TECHNICAL SERVICE
 Technical assistance and on site support
 (916) 386-6177
 pcengineering@teichert.com



TEICHERT PRECAST PRODUCTS
 SACRAMENTO · STOCKTON
WWW.TEICHERTPRECASTPRODUCTS.COM

8180 SIGNAL COURT SACRAMENTO, CA 95824
 PHONE: (916) 386-6174 FAX: (916) 386-8823

2441 W. CHARTER WAY STOCKTON, CA 95206
 PHONE: (209) 464-7696 FAX: (209) 464-6822

36" INSIDE DIAMETER x 12"
 AT&T MANHOLE
 GRADE RING

ISSUE DATE: **1/5/2009**

AGENCY SERIES:

PART #:

ASY-0360-E12-AT